



800.654.5635 • [www.csidesigns.com](http://www.csidesigns.com)

## The Optimum Solution for Dairies

### Unique PMO Mixproof Valve

#### Compliance

- Meets 3A/PMO Requirements Compliance - M-b 344.

#### Concept

This Unique **PMO** Mixproof valve is based on the well proven and exceptionally flexible design of the Unique Mixproof valves from Alfa Laval. It meets the demands from the 3A/PMO (Pasteurized Milk Ordinance paragraph 15p(B)) standards saying that all movements have to be detectable, as well as the vent tube has to have the same or greater area than the connection pipe. Furthermore, the actuator is fail safe by spring to close. Compliance with M-b344 allows a pasteurized milk product to be in one chamber while CIP solution is in the other chamber.

#### Working Principle

Unique **PMO** is remote-controlled by means of compressed air. The valve is a normally closed (NC) valve. The valve has two independent plug seals, forming a leakage chamber between them which is at atmospheric pressure or less during every working condition. In the rare case of fluid passing a valve seat, the fluid will enter the leakage chamber and be discharged through the leakage outlet. When the valve is open, the leakage chamber is closed.

#### Build-up

This **PMO** edition of the Unique Mixproof valve is a high-end valve with regards to process security as well as from a sanitary point of view. The valve plugs are always balanced in both upper and lower valve body, securing no sensitivity to pressure spikes. The lower and upper seats are position-detectable by the ThinkTop® and a yoke-mounted, external sensor.



Unique PMO Mixproof Valve with externally mounted indication.

## Dimensions [Inches]

Size	2"	2.5"	3"	4"
A	22.559	25.709	26.929	30.748
A*	29.646	32.795	34.016	37.835
B	8.661	11.811	11.811	11.811
**C	2.906	3.398	3.894	4.866
OD	2.008	2.500	2.996	4.000
ID	1.882	2.374	2.870	3.843
t	0.063	0.063	0.063	0.079
E	4.488	4.961	5.472	6.535
F1	1.240	1.496	1.496	2.323
F2	0.197	0.197	0.197	0.197
øD	4.724	6.181	6.181	7.323
L	9.055	9.921	9.921	11.063
M/Tri-clamp	0.827	0.827	0.827	0.827
Weight [lb]	33.000	53.000	53.000	75.000

### NOTE!

\*\*The measure C can always be calculated by the formula

$$C = \frac{1}{2}ID_{\text{upper}} + \frac{1}{2}ID_{\text{lower}} + 1".$$

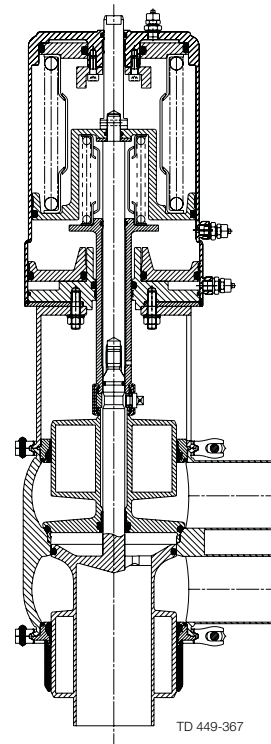
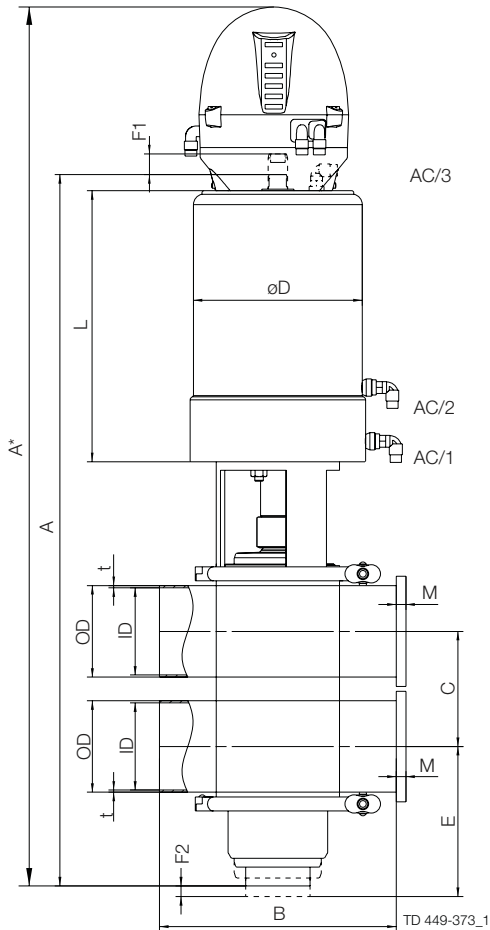


Fig. 1 Details of Unique **PMO** Mixproof Valve

## Pressure drop/capacity diagrams

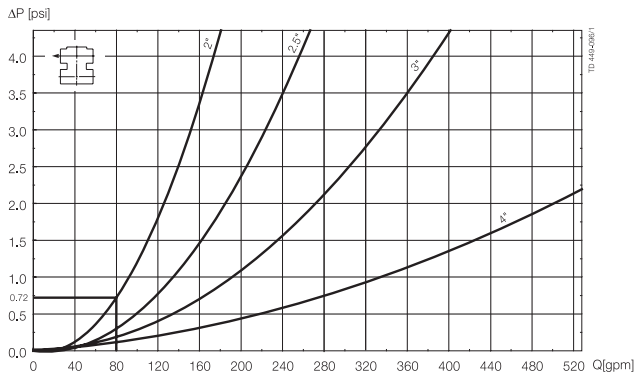


Fig. 2. Pressure drop/capacity diagram, upper bodies.

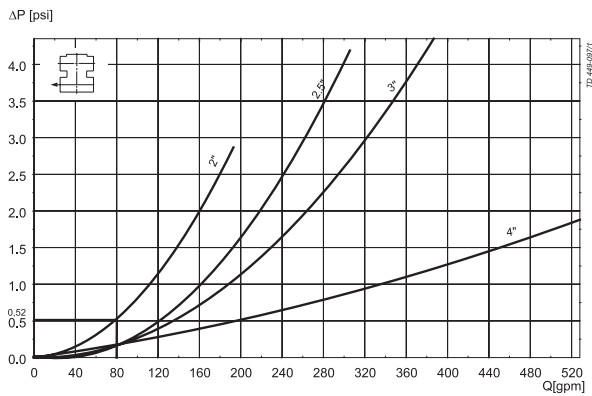


Fig. 4. Pressure drop/capacity diagram, lower body.

### Example to determine pressure drop at a given flow rate:

Upper body size: 2". Capacity = 80 gpm.  
 Lower body size: 2". Capacity = 80 gpm.  
 Between bodies: 2". Capacity = 60 gpm.

### Result:

From fig. 2,  $\Delta p = 0.72$  psi through upper body.

From fig. 3,  $\Delta p = 1.1$  psi between bodies.

From fig. 4,  $\Delta p = 0.52$  psi through lower body.

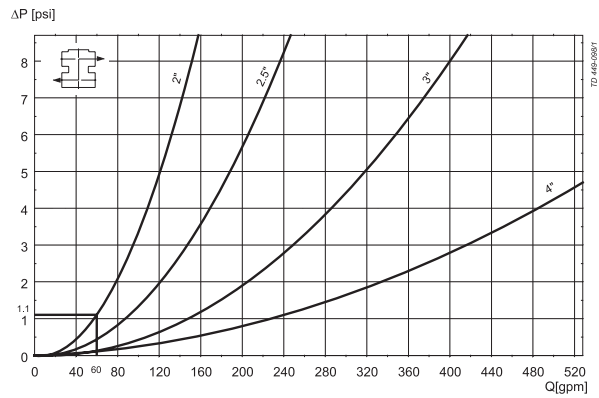


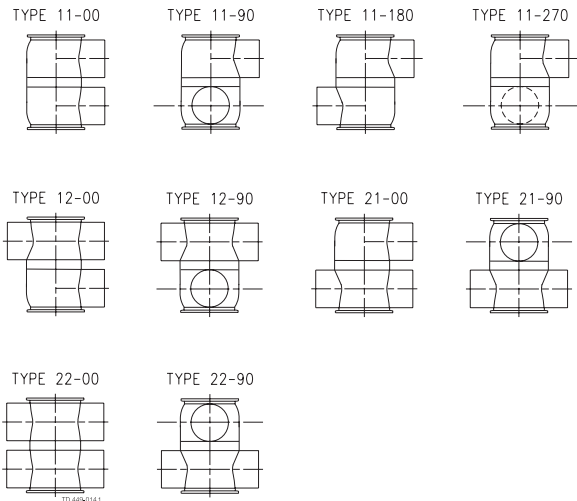
Fig. 3. Pressure drop/capacity diagram, between bodies.

**Note!** For the diagrams the following applies:

Medium: Water (68°F).

Measurement: In accordance with VDI 2173.

## Valve body combinations



## Technical Data

Max. product pressure: .....145 psi (for higher pressure, please ask Alfa Laval)  
 Min. product pressure: .....Full vacuum.  
 Temperature range: .....23°F to +257°F (Depending on elastomer type)  
 (For higher temperatures, please contact Alfa Laval)  
 Air pressure: .....Max. 116 psi.

Size		OD 2"	OD 2½"	OD 3"	OD 4"
Cv-value Upper Seat-lift	[gpm/psi]	2.6	3.9	3.9	5.3
Cv-value Lower Seat-lift	[gpm/psi]	2.2	3.6	3.6	4.9
Air consumption Upper Seat-lift	* [cubic inches]	12	24	24	38
Air consumption Lower Seat-lift	* [cubic inches]	67	8	8	13
Air consumption Main Movement	* [cubic inches]	52	99	99	170

$$Q = C_v \cdot \sqrt{\Delta p}$$

Q = water flow [gpm]

Cv = value from the above table.

$\Delta p$  = water pressure [psi]

## Materials

Product wetted steel parts: .....Acid-resistant steel AISI 316L  
 Other steel parts: .....Stainless steel AISI 304  
 Product wetted parts: .....NBR (std.) EPDM, HNBR or FPM  
 Other seals: .....CIP seals: EPDM.  
 Actuator seals: NBR.  
 Surface finish: .....External bright/internal polished Ra<32μ"

## Ordering

For ordering, contact Alfa Laval.

Control & Indication for both upper and lower seat lift as well as main movement, is given via the ThinkTop® control unit.  
 Please refer to PD 65492 US, PD 65493 US and PD 65494 US for further information.

ESE00515ENUS 0903

The information contained herein is correct at the time of issue, but may be subject to change without prior notice.

### How to contact Alfa Laval

Contact details for all countries are continually updated on our website. Please visit [www.alfalaval.us](http://www.alfalaval.us) to access the information direct.