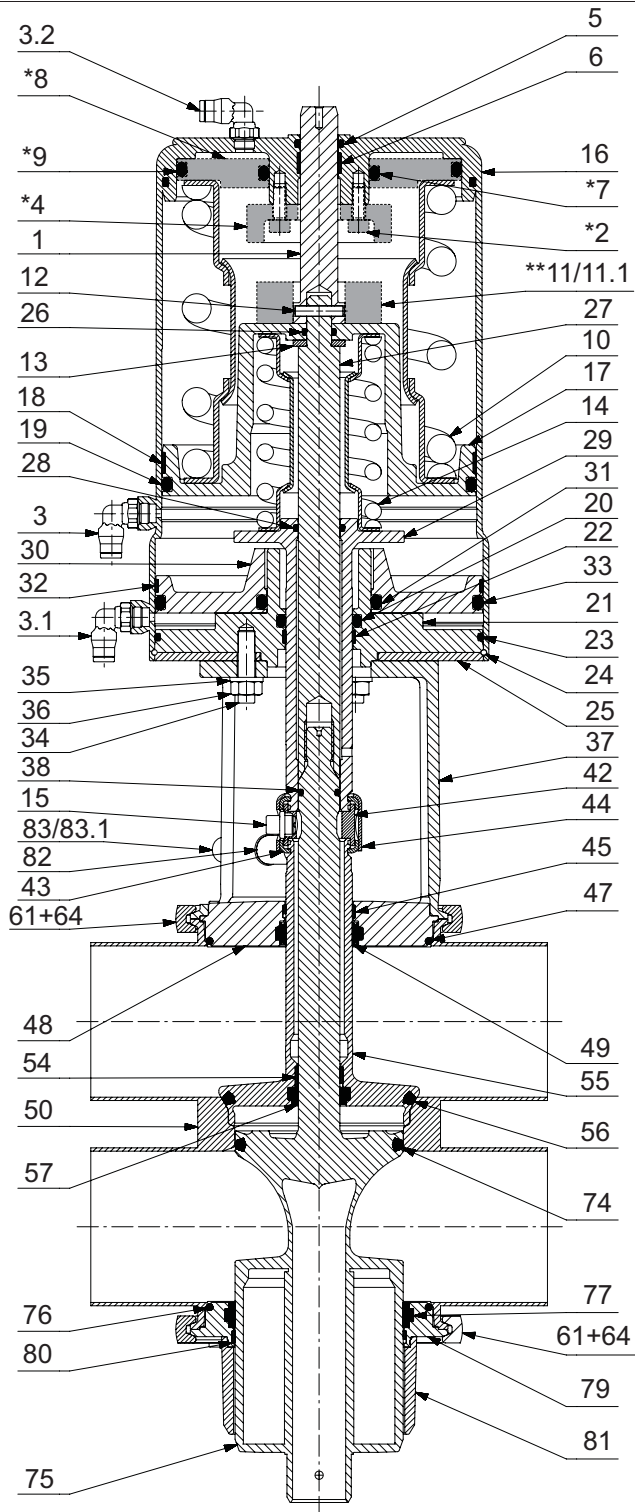


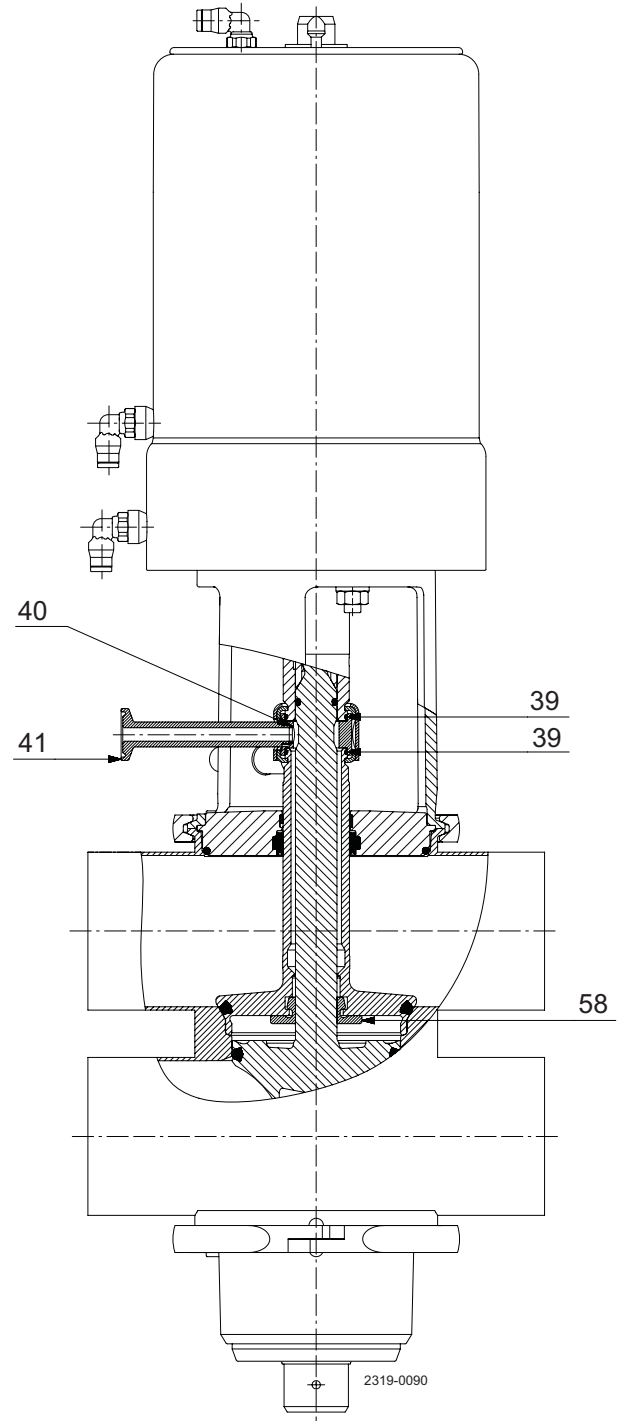
8 Parts list and service kits

For spare parts please refer to spare parts catalogue.

8.7 Plug setup 11



without SpiralClean in leakage chamber

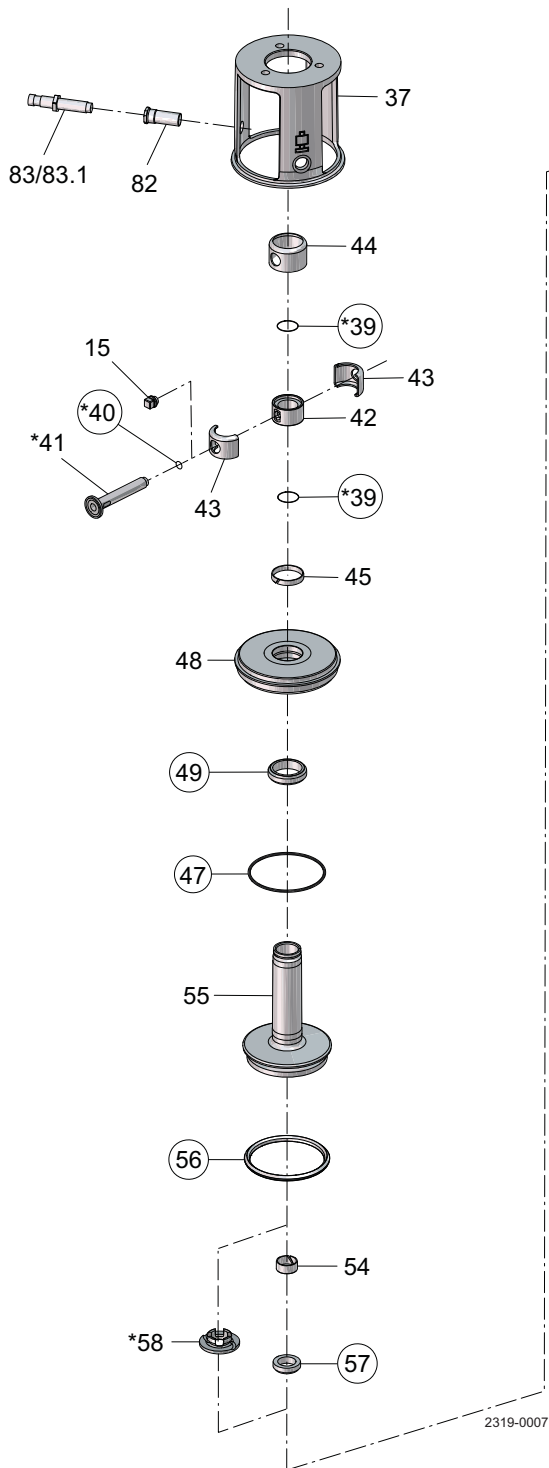


with SpiralClean in leakage chamber

- = Parts not used in all actuators
- * = Not used in 1½" and 2"
- ** = Not used in 2½", 3", 4" and 6"

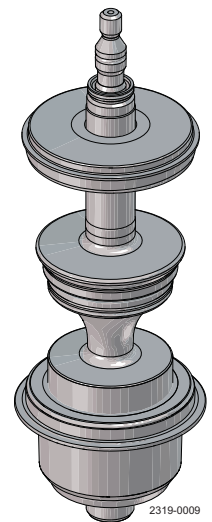
8 Parts list and service kits

For spare parts please refer to spare parts catalogue.



○ = wear parts

* = with SpiralClean in leakage chamber



8 Parts list and service kits

For spare parts please refer to spare parts catalogue.

Parts list

Pos.	Qty	Denomination
15	1	Plug
37	1	Intermediate piece
38	1	O-ring
39	2	O-ring
40	1	O-ring
41	1	Flushing tube
42	1	Spindle liner
43	2	Clamp
44	1	Lock
45	1	Guide ring
47	1	O-ring
48	1	Upper sealing element
49	1	Lip seal
52	1	O-ring
54	1	Guide ring
55	1	Upper plug
56	1	Seal ring
57	1	Lip seal
58	1	Spray nozzle
74	1	Seal ring
75	1	Lower plug
76	1	O-ring
77	1	Lip seal
79	1	Lower sealing element
80	1	Guide ring
81	1	Cover
82	1	Bolt for indication
83	1	Sensor for indication
83.1	1	Cable for sensor for indication

Service kits

Denomination	2" Seat ø53.3	2½" Seat ø81.3	3" Seat ø81.3	4" Seat ø100.3	6" Seat ø115.3
Service kit, EPDM	9611-92-8073	9611-92-8077	9611-92-8077	9611-92-8081	9611-92-8085
Service kit, NBR	9611-92-8074	9611-92-8078	9611-92-8078	9611-92-8082	9611-92-8086
Service kit, FPM	9611-92-8075	9611-92-8079	9611-92-8079	9611-92-8083	9611-92-8087
Service kit, HNBR	9611-92-8076	9611-92-8080	9611-92-8080	9611-92-8084	9611-92-8088

For mixed size housings, the service kit is determined by the smallest size connection on the valve.

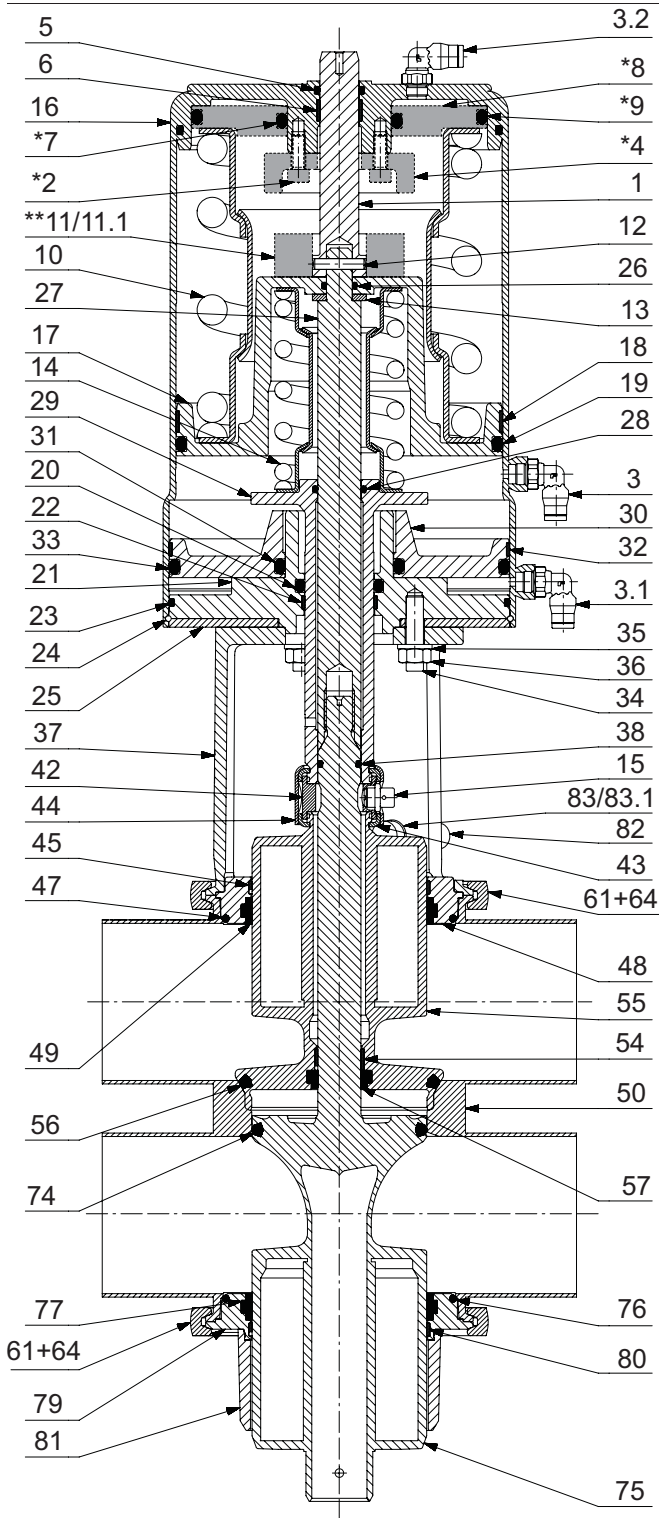
One exception is any housing with 6" connections will always refer to the 6" service kits listed below:

Service kit, EPDM	9611-92-8181	9611-92-8185	9611-92-8185	9611-92-8189
Service kit, NBR	9611-92-8182	9611-92-8186	9611-92-8186	9611-92-8190
Service kit, FPM	9611-92-8183	9611-92-8187	9611-92-8187	9611-92-8191
Service kit, HNBR	9611-92-8184	9611-92-8188	9611-92-8188	9611-92-8192

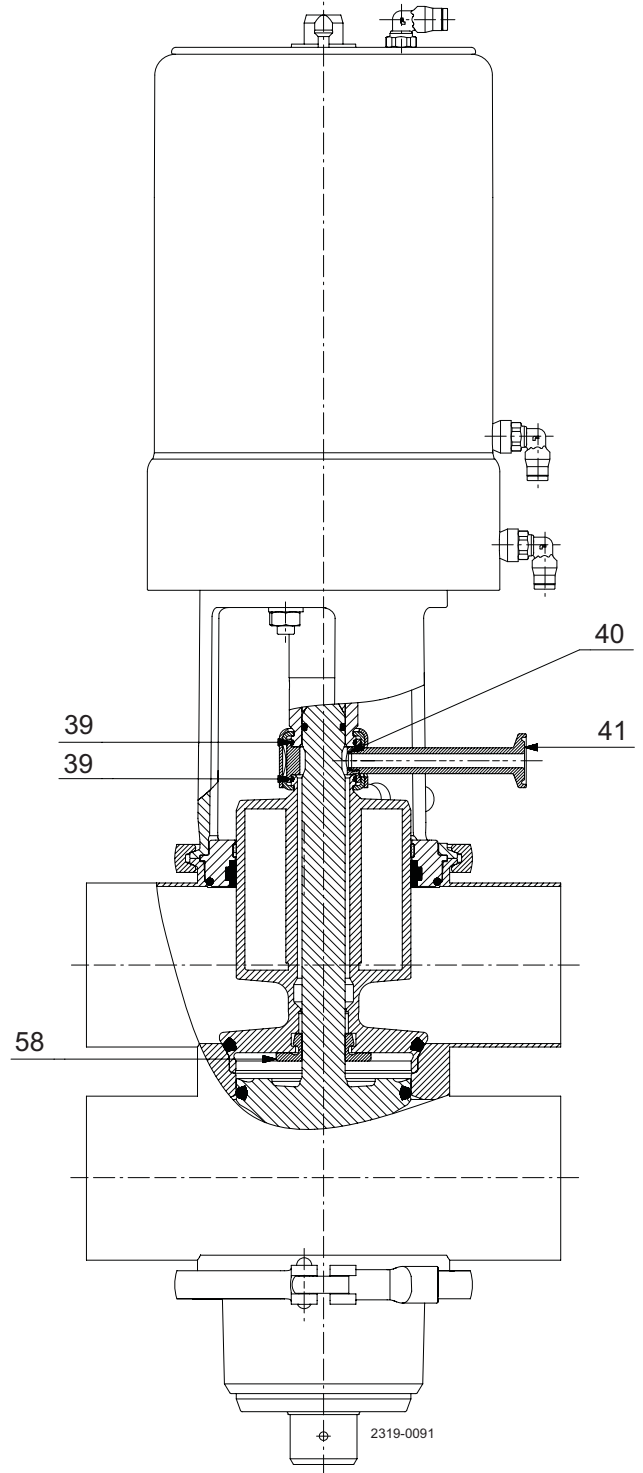
8 Parts list and service kits

For spare parts please refer to spare parts catalogue.

8.8 Plug setup 12



without SpiralClean in leakage chamber

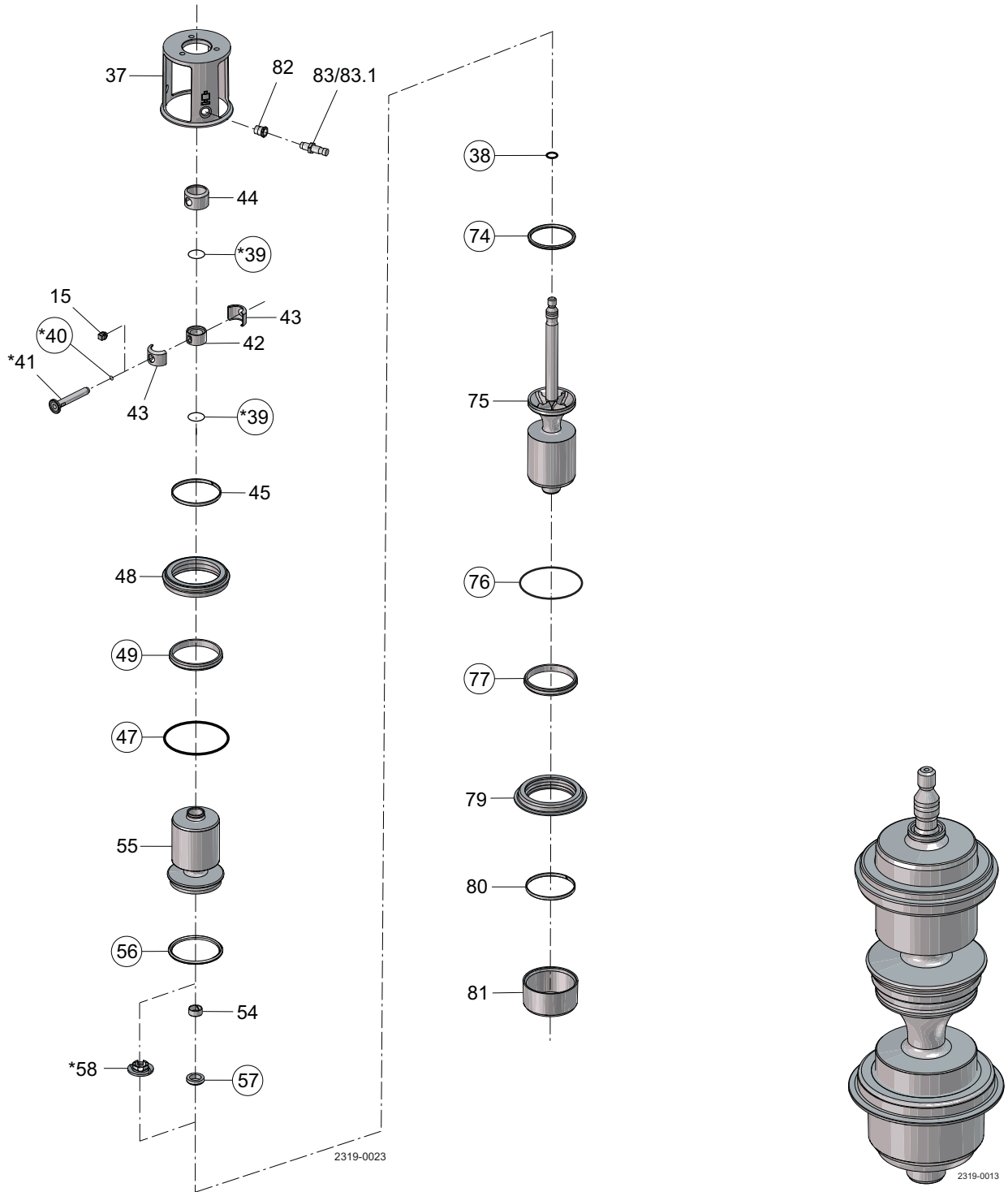


with SpiralClean in leakage chamber

- = Parts not used in all actuators
- * = Not used in 1½" and 2"
- ** = Not used in 2½", 3", 4" and 6"

8 Parts list and service kits

For spare parts please refer to spare parts catalogue.



○ = wear parts

★ = with SpiralClean in leakage chamber

8 Parts list and service kits

For spare parts please refer to spare parts catalogue.

Parts list

Pos.	Qty	Denomination
15	1	Plug
37	1	Intermediate piece
38	1	O-ring
39	2	O-ring
40	1	O-ring
41	1	Flushing tube
42	1	Spindle liner
43	2	Clamp
44	1	Lock
45	1	Guide ring
47	1	O-ring
48	1	Upper sealing element
49	1	Lip seal
52	1	O-ring
54	1	Guide ring
55	1	Upper plug
56	1	Seal ring
57	1	Lip seal
58	1	Spray nozzle
74	1	Seal ring
75	1	Lower plug
76	1	O-ring
77	1	Lip seal
79	1	Lower sealing element
80	1	Guide ring
81	1	Cover
82	1	Bolt for indication
83	1	Sensor for indication
83.1	1	Cable for sensor for indication

Service kits

Denomination	1½" Seat ø53.3	2" Seat ø53.3	2½" Seat ø81.3	3" Seat ø81.3	4" Seat ø100.3	6" Seat ø115.3
Service kit, EPDM	9611-92-8089	9611-92-8093	9611-92-8097	9611-92-8097	9611-92-8101	9611-92-8105
Service kit, NBR	9611-92-8090	9611-92-8094	9611-92-8098	9611-92-8098	9611-92-8102	9611-92-8106
Service kit, FPM	9611-92-8091	9611-92-8095	9611-92-8099	9611-92-8099	9611-92-8103	9611-92-8107
Service kit, HNBR	9611-92-8092	9611-92-8096	9611-92-8100	9611-92-8100	9611-92-8104	9611-92-8108

For mixed size housings, the service kit is determined by the smallest size connection on the valve.

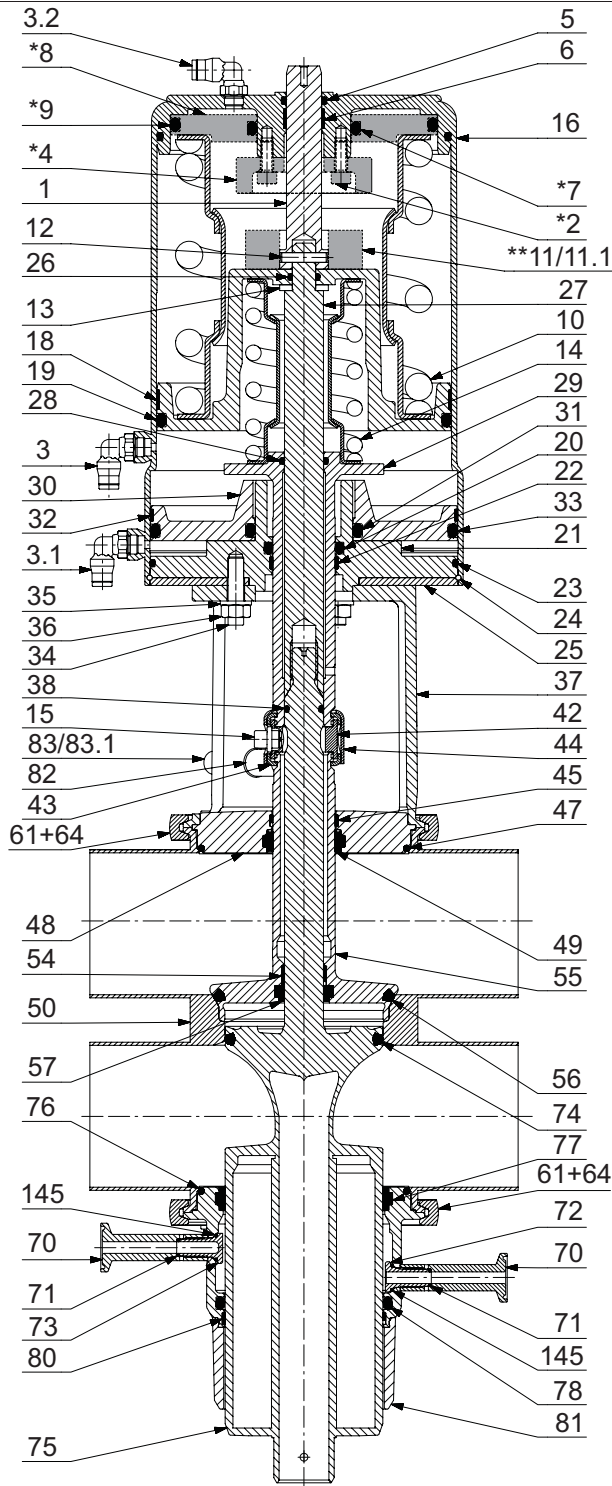
One exception is any housing with 6" connections will always refer to the 6" service kits listed below:

Service kit, EPDM	9611-92-8193	9611-92-8197	9611-92-8201	9611-92-8201	9611-92-8205
Service kit, NBR	9611-92-8194	9611-92-8198	9611-92-8202	9611-92-8202	9611-92-8206
Service kit, FPM	9611-92-8195	9611-92-8199	9611-92-8203	9611-92-8203	9611-92-8207
Service kit, HNBR	9611-92-8196	9611-92-8200	9611-92-8204	9611-92-8204	9611-92-8208

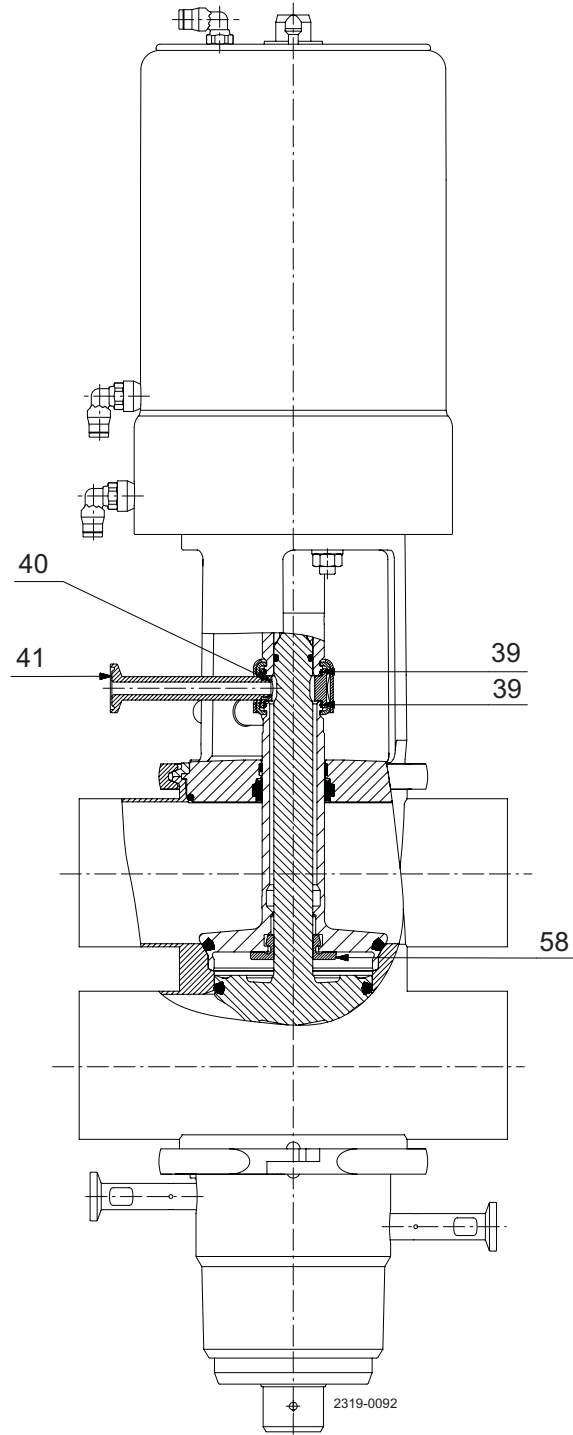
8 Parts list and service kits

For spare parts please refer to spare parts catalogue.

8.9 Plug setup 13



without SpiralClean in leakage chamber



with SpiralClean in leakage chamber

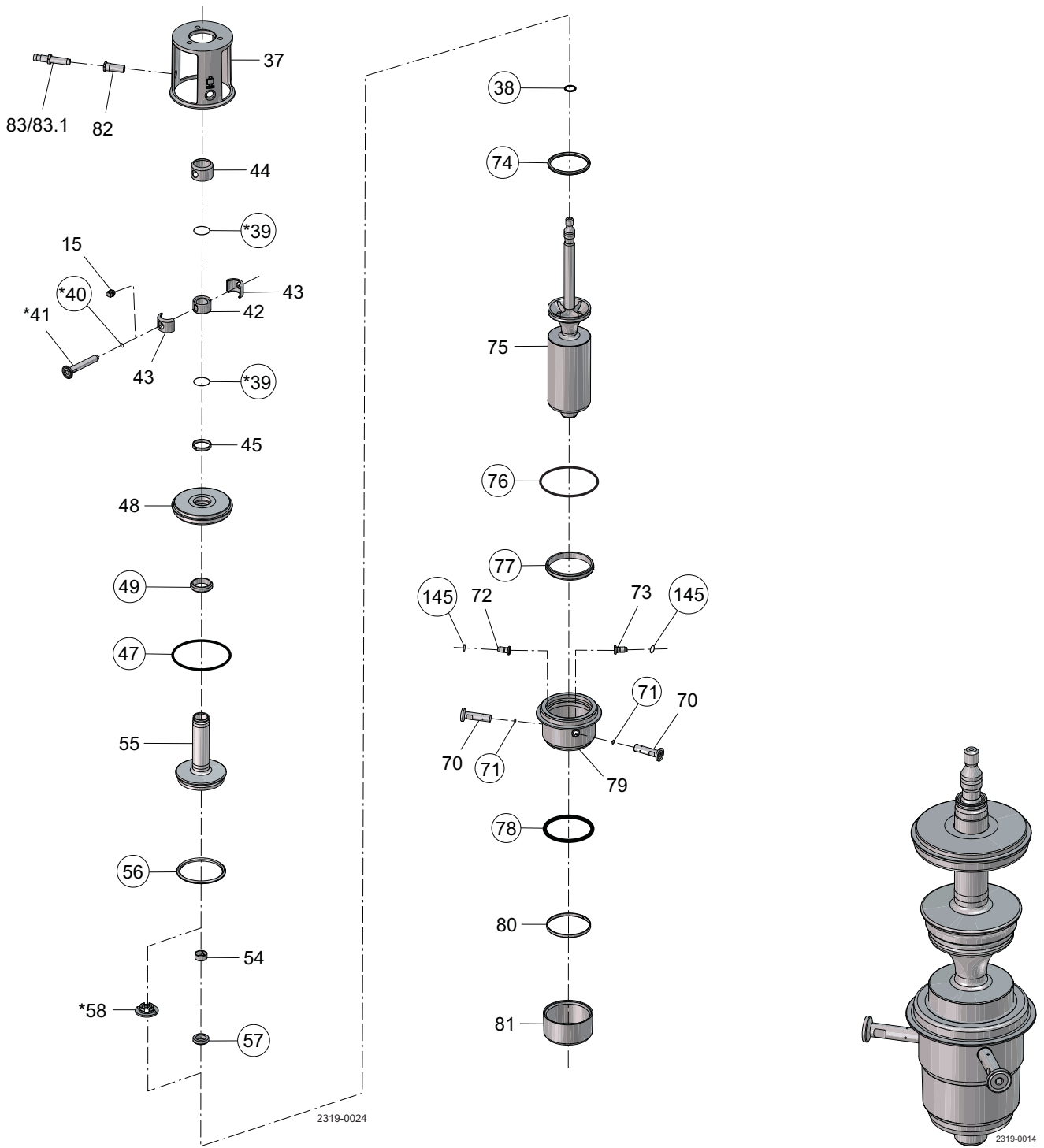
■ = Parts not used in all actuators

* = Not used in 1½" and 2"

** = Not used in 2½", 3", 4" and 6"

8 Parts list and service kits

For spare parts please refer to spare parts catalogue.



○ = wear parts

* = with SpiralClean in leakage chamber

8 Parts list and service kits

For spare parts please refer to spare parts catalogue.

Parts list

Pos.	Qty	Denomination
15	1	Plug
37	1	Intermediate piece
38	1	O-ring
39	2	O-ring
40	1	O-ring
41	1	Flushing tube
42	1	Spindle liner
43	2	Clamp
44	1	Lock
45	1	Guide ring
47	1	O-ring
48	1	Upper sealing element
49	1	Lip seal
52	1	O-ring
54	1	Guide ring
55	1	Upper plug
56	1	Seal ring
57	1	Lip seal
58	1	Spray nozzle
70	2	Flushing tube
71	2	O-ring
72	1	Drain
73	1	Nozzle
74	1	Seal ring
75	1	Lower plug
76	1	O-ring
77	1	Lip seal
78	1	O-ring
79	1	Lower sealing element
80	1	Guide ring
81	1	Cover
82	1	Bolt for indication
83	1	Sensor for indication
83.1	1	Cable for sensor for indication
145	2	O-ring

Service kits

Denomination	2" Seat ø53.3	2½" Seat ø81.3	3" Seat ø81.3	4" Seat ø100.3	6" Seat ø115.3
Service kit, EPDM	9611-92-8109	9611-92-8113	9611-92-8113	9611-92-8117	9611-92-8121
Service kit, NBR	9611-92-8110	9611-92-8114	9611-92-8114	9611-92-8118	9611-92-8122
Service kit, FPM	9611-92-8111	9611-92-8115	9611-92-8115	9611-92-8119	9611-92-8123
Service kit, HNBR	9611-92-8112	9611-92-8116	9611-92-8116	9611-92-8120	9611-92-8124

For mixed size housings, the service kit is determined by the smallest size connection on the valve.

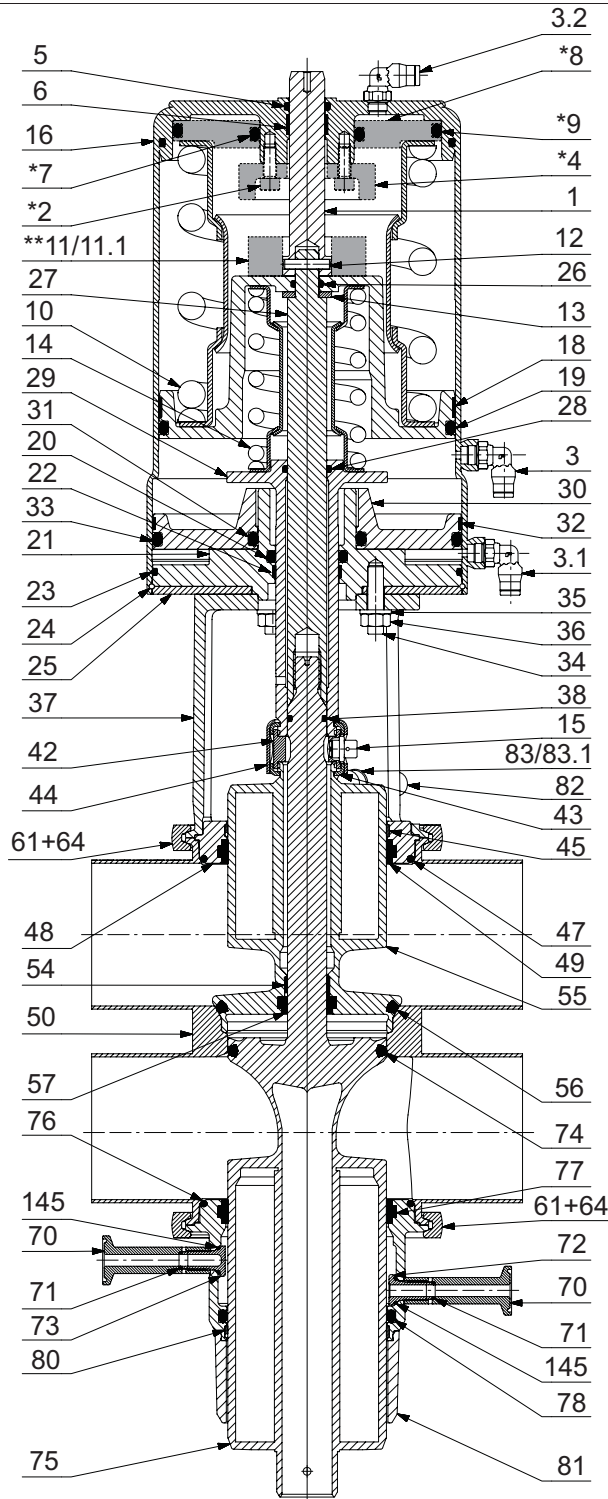
One exception is any housing with 6" connections will always refer to the 6" service kits listed below:

Service kit, EPDM	9611-92-8209	9611-92-8213	9611-92-8213	9611-92-8217
Service kit, NBR	9611-92-8210	9611-92-8214	9611-92-8214	9611-92-8218
Service kit, FPM	9611-92-8211	9611-92-8215	9611-92-8215	9611-92-8219
Service kit, HNBR	9611-92-8212	9611-92-8216	9611-92-8216	9611-92-8220

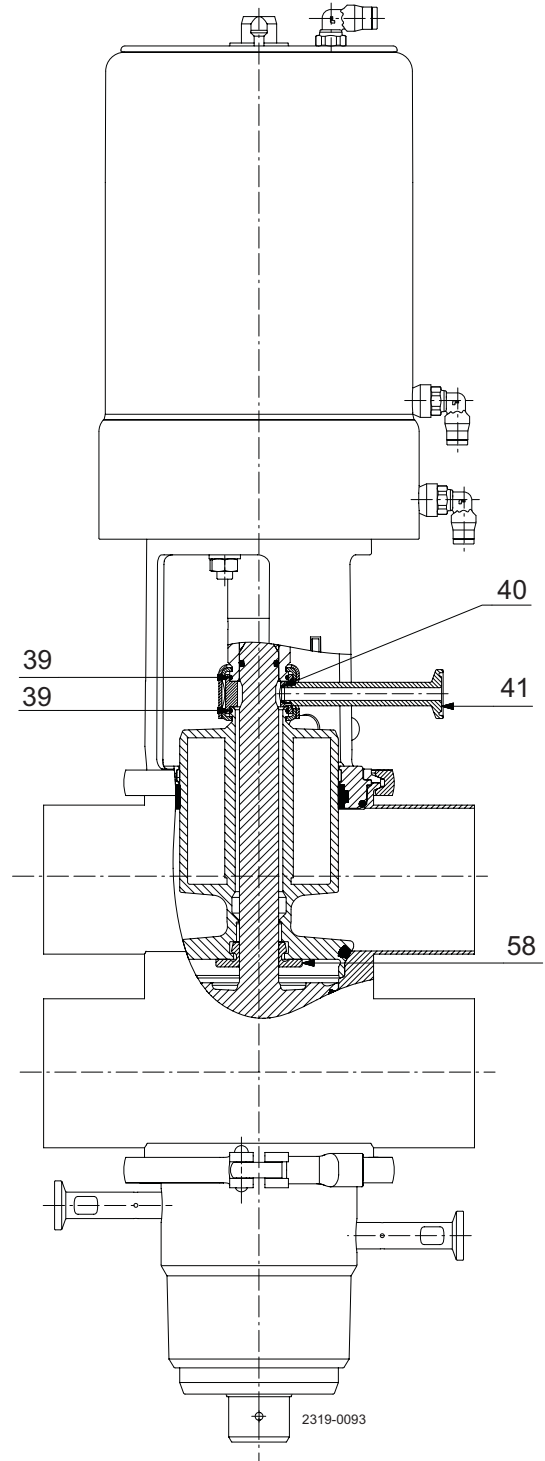
8 Parts list and service kits

For spare parts please refer to spare parts catalogue.

8.10 Plug setup 14



without SpiralClean in leakage chamber

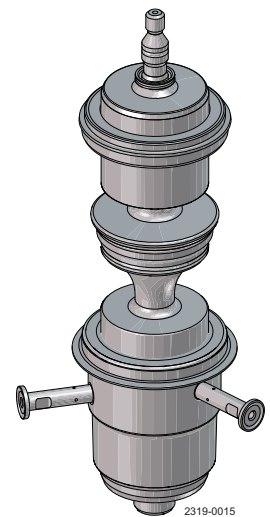
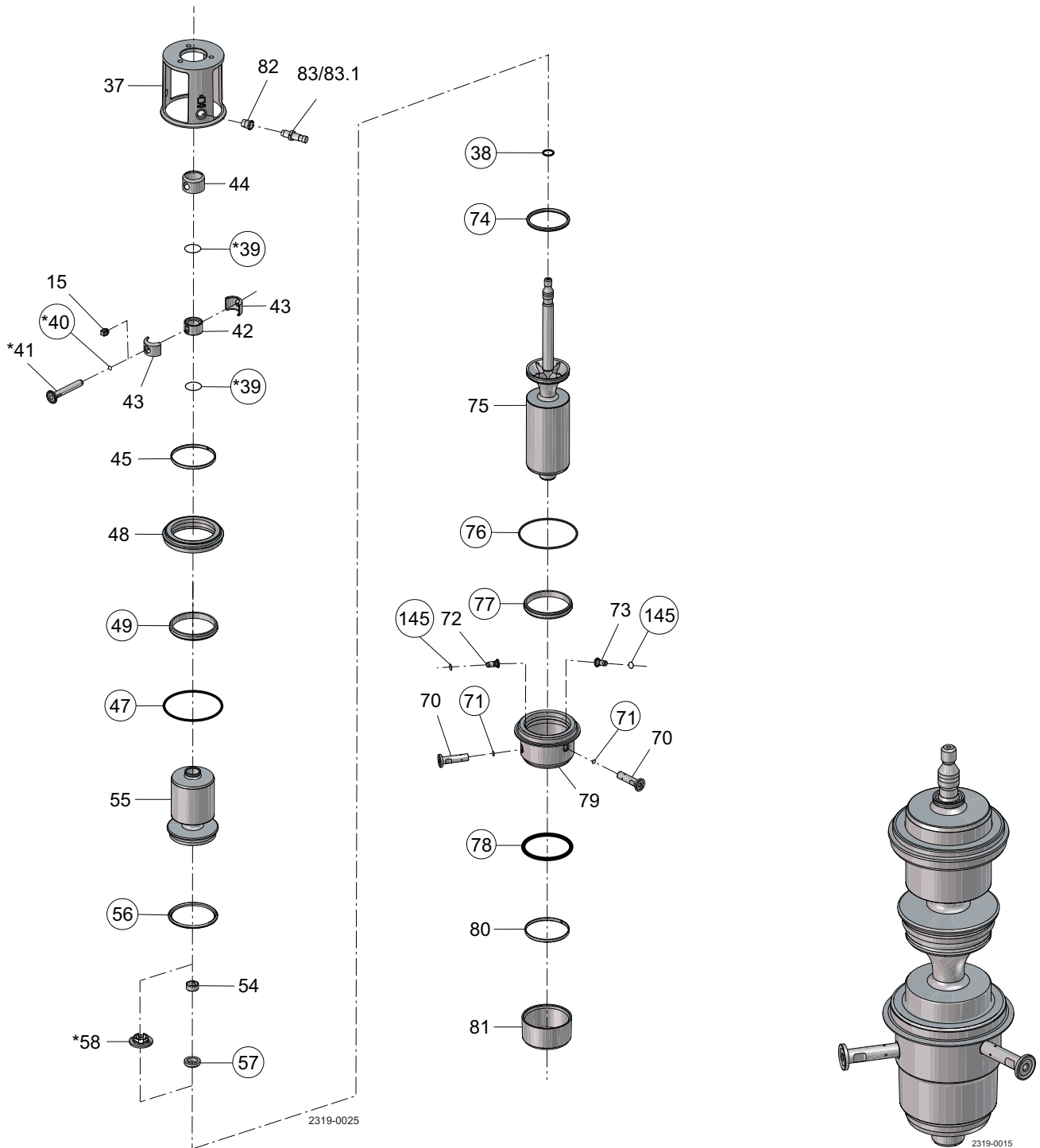


with SpiralClean in leakage chamber

- = Parts not used in all actuators
- * = Not used in 1½" and 2"
- ** = Not used in 2½", 3", 4" and 6"

8 Parts list and service kits

For spare parts please refer to spare parts catalogue.



8 Parts list and service kits

For spare parts please refer to spare parts catalogue.

Parts list

Pos.	Qty	Denomination
15	1	Plug
37	1	Intermediate piece
38	1	O-ring
39	2	O-ring
40	1	O-ring
41	1	Flushing tube
42	1	Spindle liner
43	2	Clamp
44	1	Lock
45	1	Guide ring
47	1	O-ring
48	1	Upper sealing element
49	1	Lip seal
52	1	O-ring
54	1	Guide ring
55	1	Upper plug
56	1	Seal ring
57	1	Lip seal
58	1	Spray nozzle
70	2	Flushing tube
71	2	O-ring
72	1	Drain
73	1	Nozzle
74	1	Seal ring
75	1	Lower plug
76	1	O-ring
77	1	Lip seal
78	1	O-ring
79	1	Lower sealing element
80	1	Guide ring
81	1	Cover
82	1	Bolt for indication
83	1	Sensor for indication
83.1	1	Cable for sensor for indication
145	2	O-ring

Service kits

Denomination	1½"	2"	2½"	3"	4"	6"
	Seat ø53.3	Seat ø53.3	Seat ø81.3	Seat ø81.3	Seat ø100.3	Seat ø115.3
Service kit, EPDM	9611-92-8017	9611-92-8021	9611-92-8025	9611-92-8025	9611-92-8029	9611-92-8033
Service kit, NBR	9611-92-8018	9611-92-8022	9611-92-8026	9611-92-8026	9611-92-8030	9611-92-8034
Service kit, FPM	9611-92-8019	9611-92-8023	9611-92-8027	9611-92-8027	9611-92-8031	9611-92-8035
Service kit, HNBR	9611-92-8020	9611-92-8024	9611-92-8028	9611-92-8028	9611-92-8032	9611-92-8036

For mixed size housings, the service kit is determined by the smallest size connection on the valve.

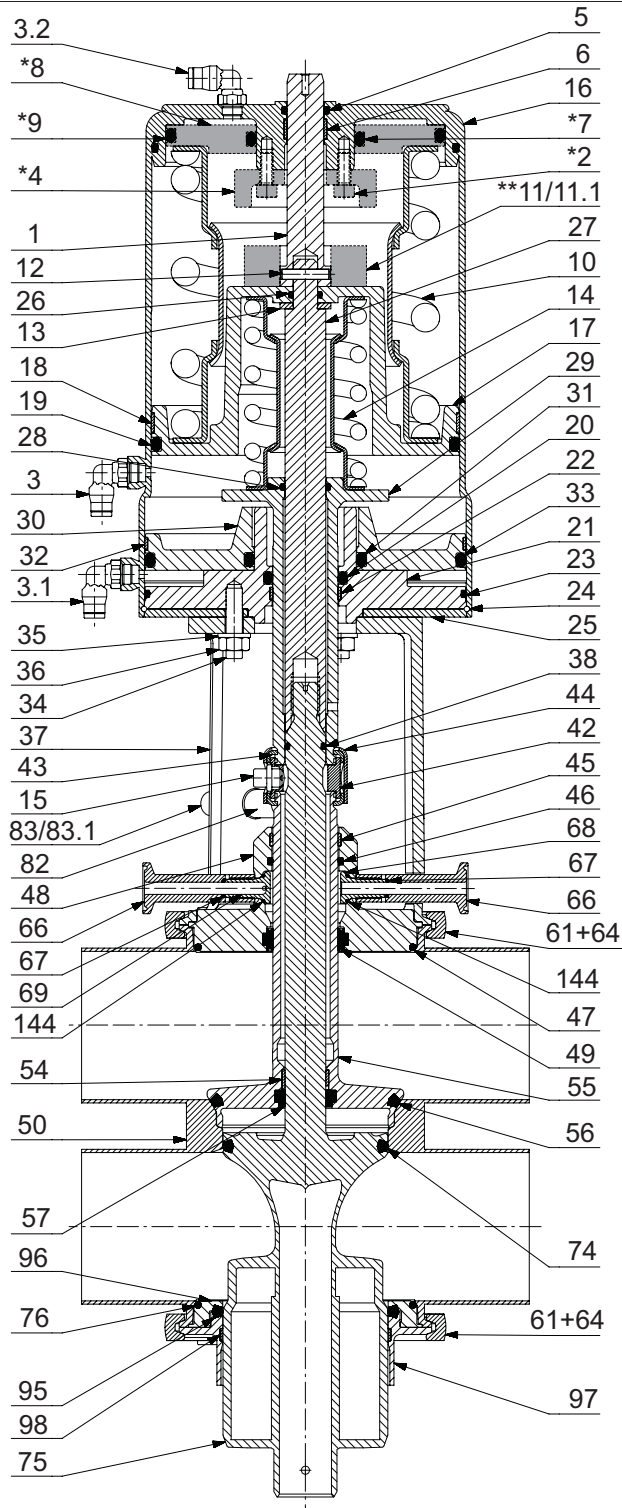
One exception is any housing with 6" connections will always refer to the 6" service kits listed below:

Service kit, EPDM	9611-92-8137	9611-92-8141	9611-92-8145	9611-92-8145	9611-92-8149
Service kit, NBR	9611-92-8138	9611-92-8142	9611-92-8146	9611-92-8146	9611-92-8150
Service kit, FPM	9611-92-8139	9611-92-8143	9611-92-8147	9611-92-8147	9611-92-8151
Service kit, HNBR	9611-92-8140	9611-92-8144	9611-92-8148	9611-92-8148	9611-92-8152

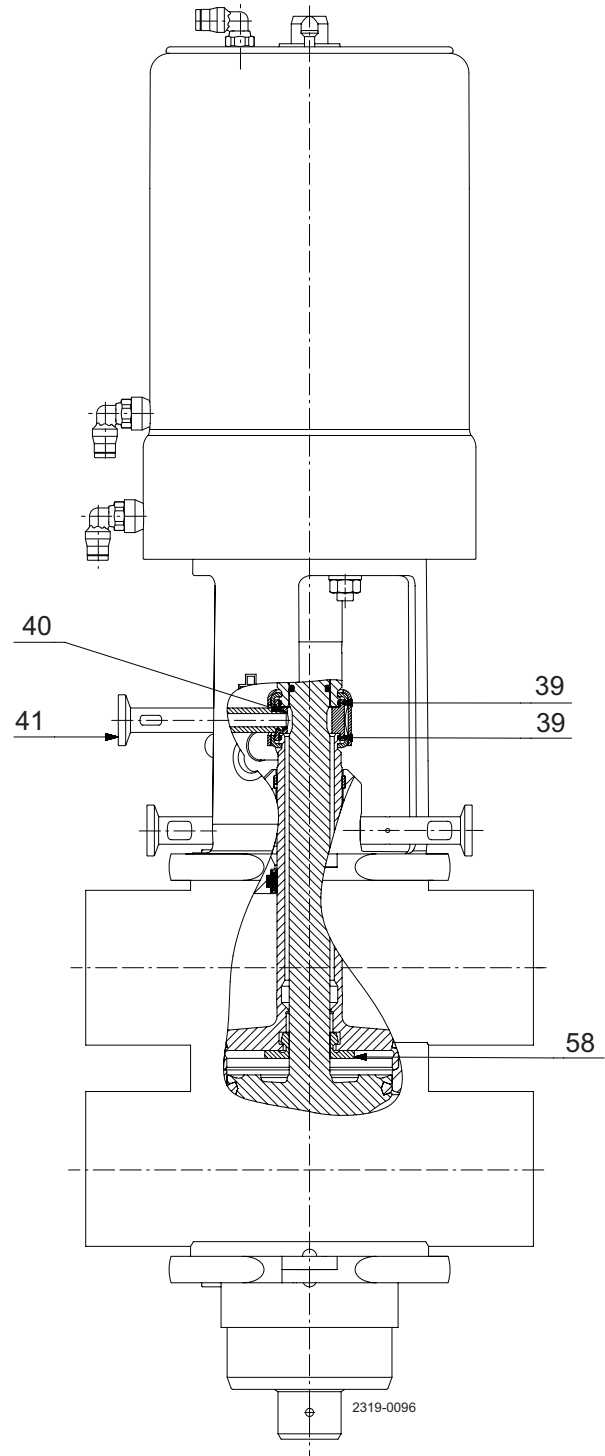
8 Parts list and service kits

For spare parts please refer to spare parts catalogue.

8.11 Plug setup 17



without SpiralClean in leakage chamber

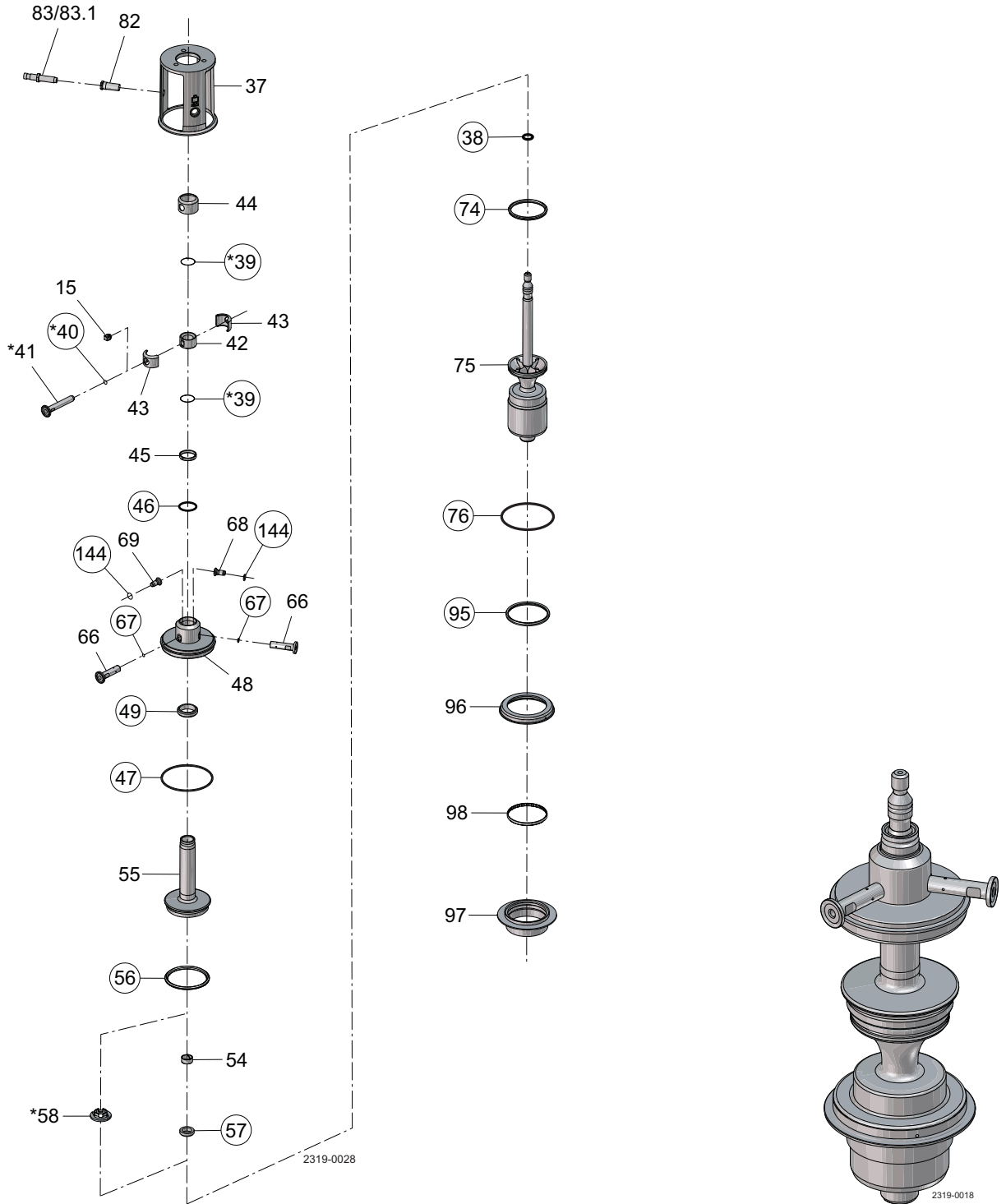


with SpiralClean in leakage chamber

- = Parts not used in all actuators
- * = Not used in 1½" and 2"
- ** = Not used in 2½", 3", 4" and 6"

8 Parts list and service kits

For spare parts please refer to spare parts catalogue.



8 Parts list and service kits

For spare parts please refer to spare parts catalogue.

Parts list

Pos.	Qty	Denomination
15	1	Plug
37	1	Intermediate piece
38	1	O-ring
39	2	O-ring
40	1	O-ring
41	1	Flushing tube
42	1	Spindle liner
43	2	Clamp
44	1	Lock
45	1	Guide ring
46	1	O-ring
47	1	O-ring
48	1	Upper sealing element
49	1	Lip seal
52	1	O-ring
54	1	Guide ring
55	1	Upper plug
56	1	Seal ring
57	1	Lip seal
58	1	Spray nozzle
66	2	Flushing tube
67	2	O-ring
68	1	Drain
69	1	Nozzle
74	1	Seal ring
75	1	Lower plug
76	1	O-ring
82	1	Bolt for indication
83	1	Sensor for indication
83.1	1	Cable for sensor for indication
95	1	Special lip seal
96	1	Lower sealing element
97	1	Lower sealing element
98	1	Guide ring, Turcite
144	2	O-ring

Service kits

Denomination	2" Seat ø53.3	2½" Seat ø81.3	3" Seat ø81.3	4" Seat ø100.3	6" Seat ø115.3
Service kit, EPDM	9611-92-8221	9611-92-8225	9611-92-8225	9611-92-8229	9611-92-8233
Service kit, NBR	9611-92-8222	9611-92-8226	9611-92-8226	9611-92-8230	9611-92-8234
Service kit, FPM	9611-92-8223	9611-92-8227	9611-92-8227	9611-92-8231	9611-92-8235
Service kit, HNBR	9611-92-8224	9611-92-8228	9611-92-8228	9611-92-8232	9611-92-8236

For mixed size housings, the service kit is determined by the smallest size connection on the valve.

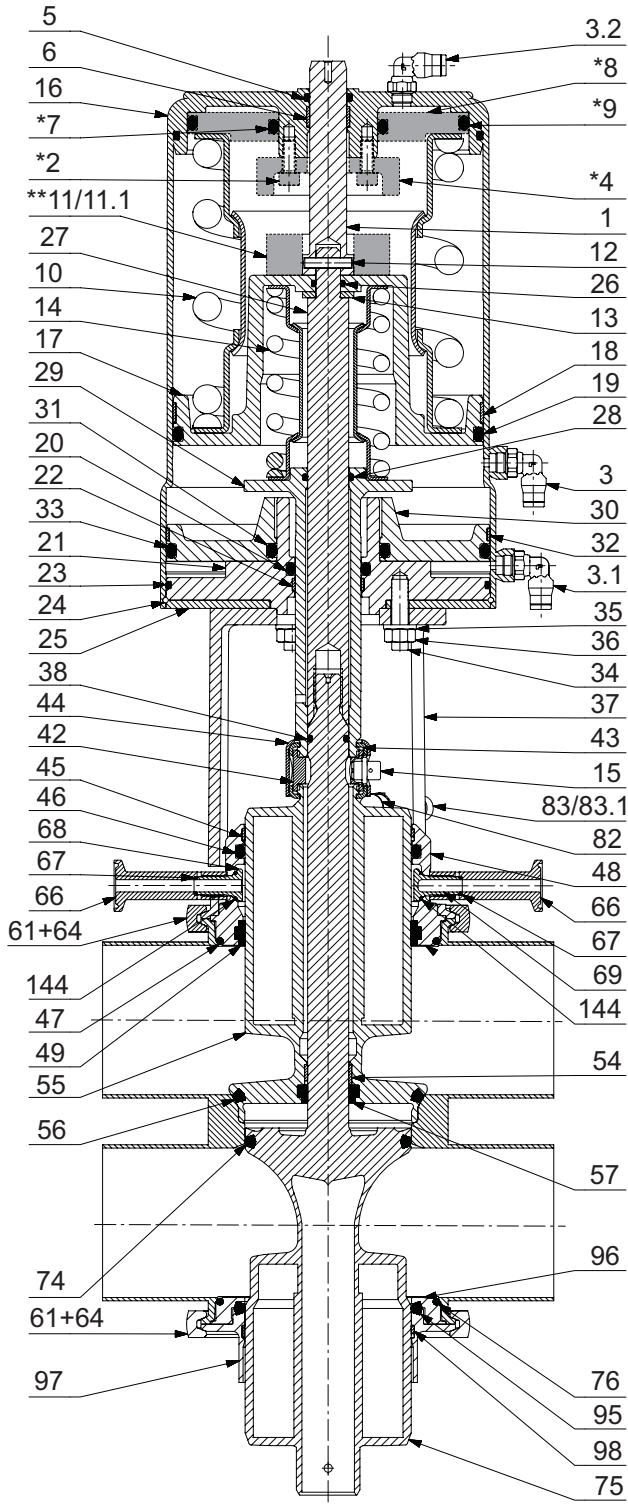
One exception is any housing with 6" connections will always refer to the 6" service kits listed below:

Service kit, EPDM	9611-92-8293	9611-92-8297	9611-92-8297	9611-92-8301
Service kit, NBR	9611-92-8294	9611-92-8298	9611-92-8298	9611-92-8302
Service kit, FPM	9611-92-8295	9611-92-8299	9611-92-8299	9611-92-8303
Service kit, HNBR	9611-92-8296	9611-92-8300	9611-92-8300	9611-92-8304

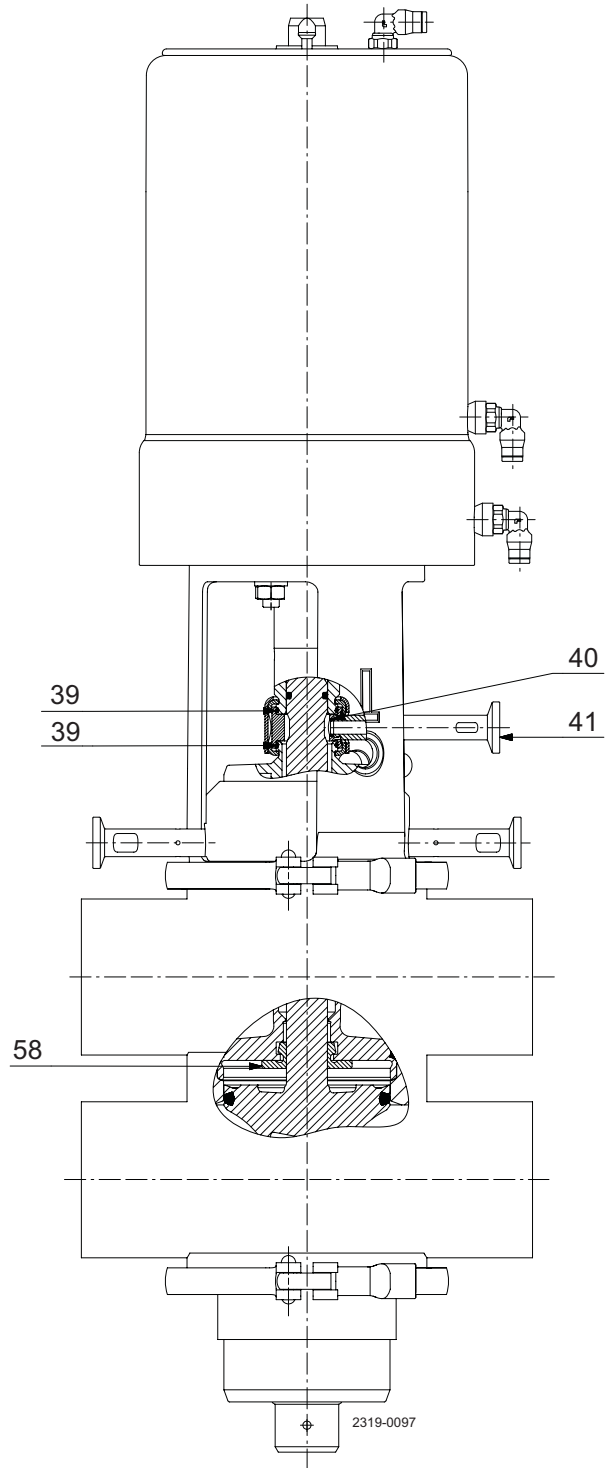
8 Parts list and service kits

For spare parts please refer to spare parts catalogue.

8.12 Plug setup 18



without SpiralClean in leakage chamber

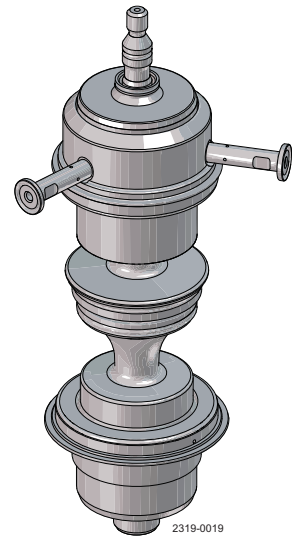
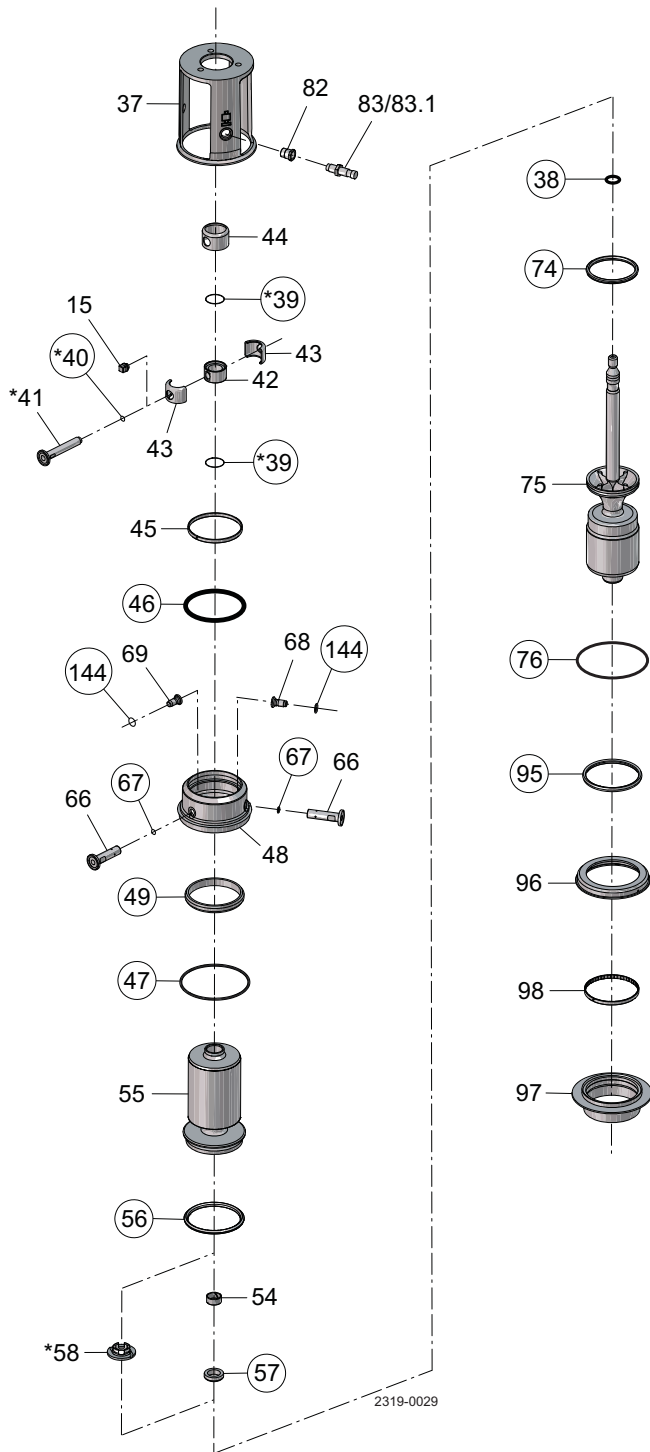


with SpiralClean in leakage chamber

- = Parts not used in all actuators
- * = Not used in 1½" and 2"
- ** = Not used in 2½", 3", 4" and 6"

8 Parts list and service kits

For spare parts please refer to spare parts catalogue.



8 Parts list and service kits

For spare parts please refer to spare parts catalogue.

Parts list

Pos.	Qty	Denomination
15	1	Plug
37	1	Intermediate piece
38	1	O-ring
39	2	O-ring
40	1	O-ring
41	1	Flushing tube
42	1	Spindle liner
43	2	Clamp
44	1	Lock
45	1	Guide ring
46	1	O-ring
47	1	O-ring
48	1	Upper sealing element
49	1	Lip seal
52	1	O-ring
54	1	Guide ring
55	1	Upper plug
56	1	Seal ring
57	1	Lip seal
58	1	Spray nozzle
66	2	Flushing tube
67	2	O-ring
68	1	Drain
69	1	Nozzle
74	1	Seal ring
75	1	Lower plug
76	1	O-ring
82	1	Bolt for indication
83	1	Sensor for indication
83.1	1	Cable for sensor for indication
95	1	Special lip seal
96	1	Lower sealing element
97	1	Lower sealing element
98	1	Guide ring, Turcite
144	2	O-ring

Service kits

Denomination	1½"	2"	2½"	3"	4"	6"
	Seat ø53.3	Seat ø53.3	Seat ø81.3	Seat ø81.3	Seat ø100.3	Seat ø115.3
Service kit, EPDM	9611-92-8237	9611-92-8241	9611-92-8245	9611-92-8245	9611-92-8249	9611-92-8253
Service kit, NBR	9611-92-8238	9611-92-8242	9611-92-8246	9611-92-8246	9611-92-8250	9611-92-8254
Service kit, FPM	9611-92-8239	9611-92-8243	9611-92-8247	9611-92-8247	9611-92-8251	9611-92-8255
Service kit, HNBR	9611-92-8240	9611-92-8244	9611-92-8248	9611-92-8248	9611-92-8252	9611-92-8256

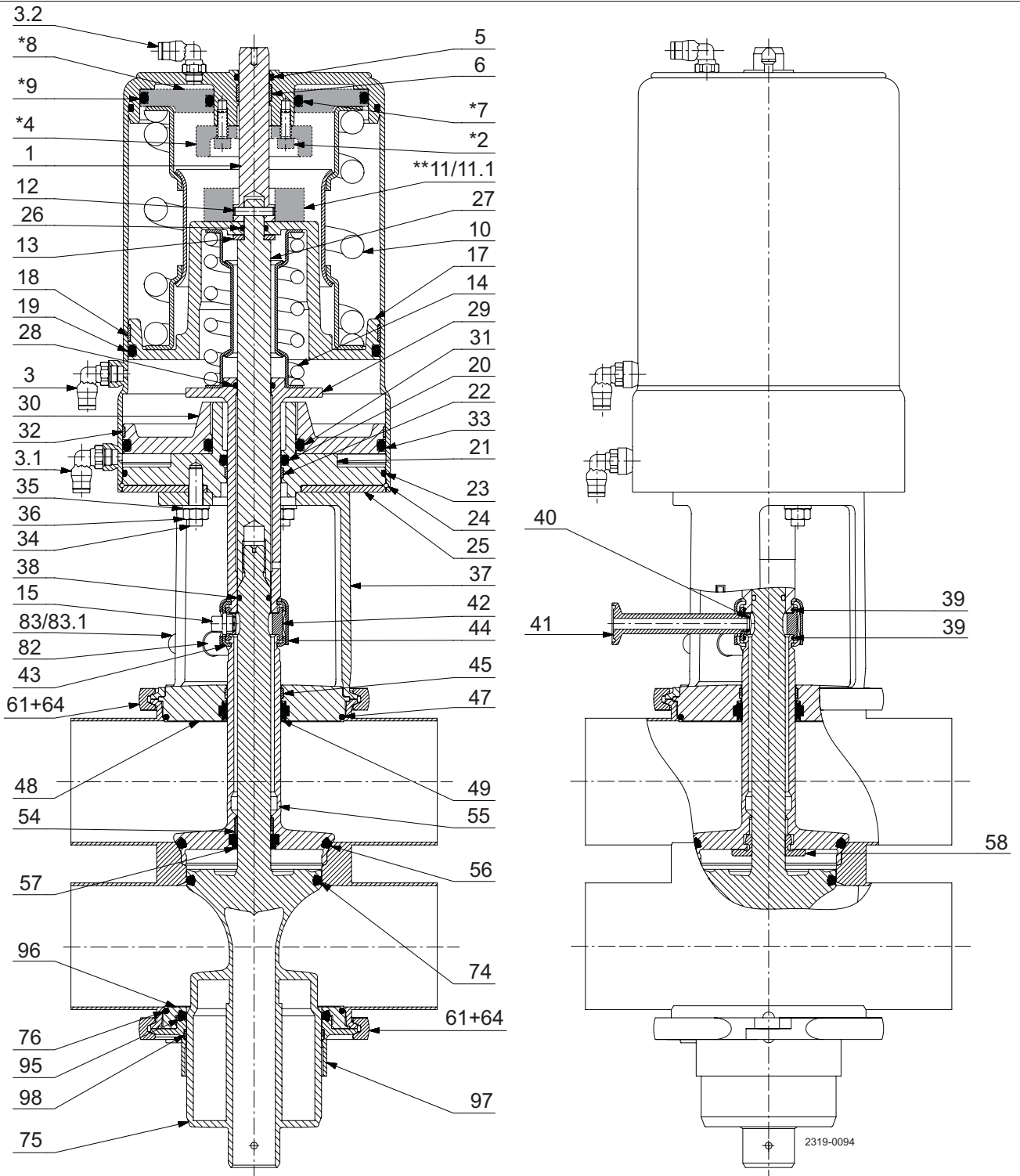
For mixed size housings, the service kit is determined by the smallest size connection on the valve.
One exception is any housing with 6" connections will always refer to the 6" service kits listed below:

Service kit, EPDM	9611-92-8305	9611-92-8309	9611-92-8313	9611-92-8313	9611-92-8317
Service kit, NBR	9611-92-8306	9611-92-8310	9611-92-8314	9611-92-8314	9611-92-8318
Service kit, FPM	9611-92-8307	9611-92-8311	9611-92-8315	9611-92-8315	9611-92-8319
Service kit, HNBR	9611-92-8308	9611-92-8312	9611-92-8316	9611-92-8316	9611-92-8320

8 Parts list and service kits

For spare parts please refer to spare parts catalogue.

8.13 Plug setup 19



without SpiralClean in leakage chamber

with SpiralClean in leakage chamber

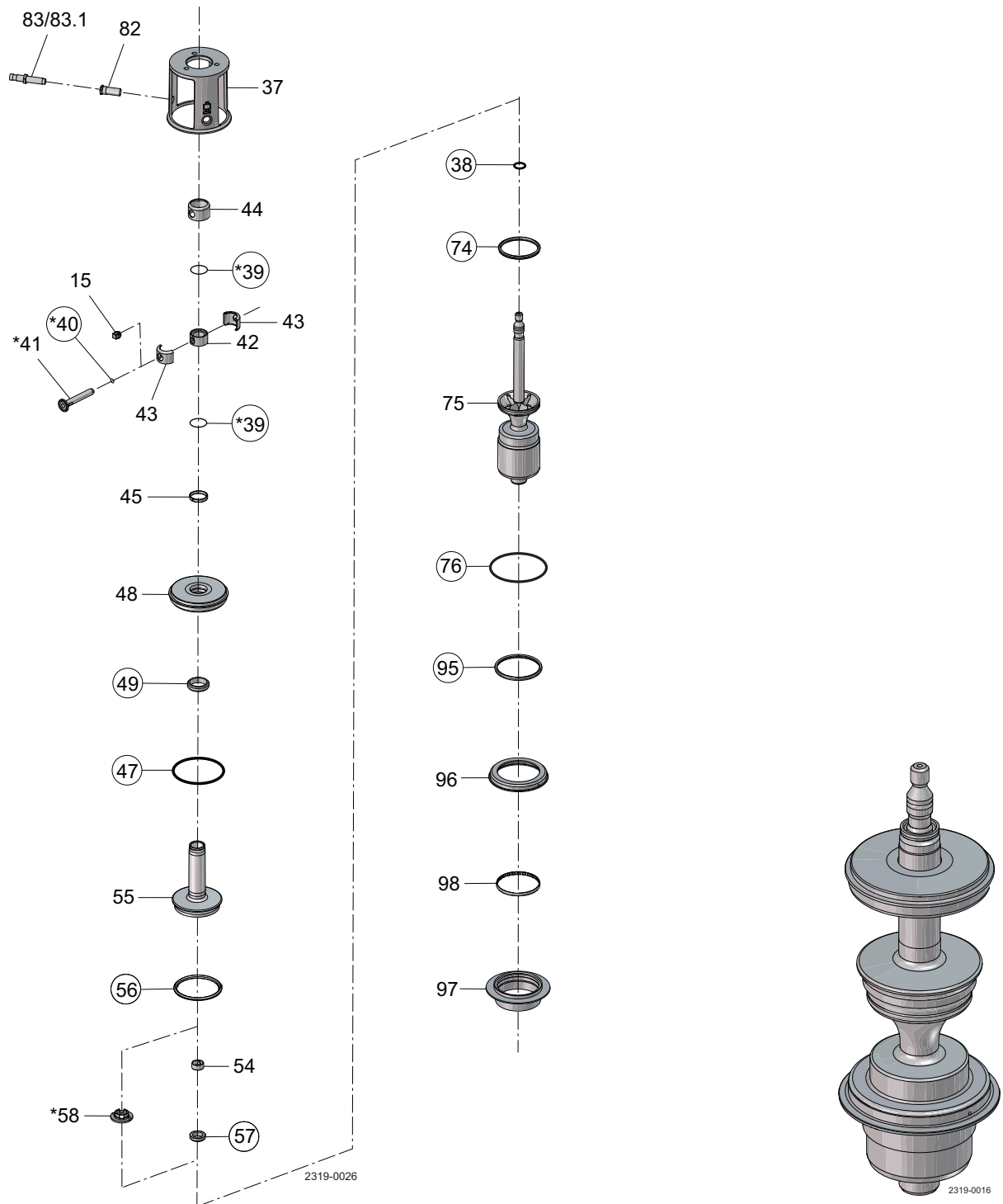
■ = Parts not used in all actuators

* = Not used in 1½" and 2"

** = Not used in 2½", 3", 4" and 6"

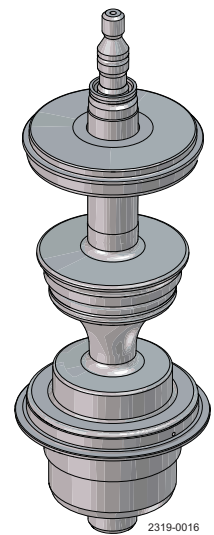
8 Parts list and service kits

For spare parts please refer to spare parts catalogue.



○ = wear parts

* = with SpiralClean in leakage chamber



8 Parts list and service kits

For spare parts please refer to spare parts catalogue.

Parts list

Pos.	Qty	Denomination
15	1	Plug
37	1	Intermediate piece
38	1	O-ring
39	2	O-ring
40	1	O-ring
41	1	Flushing tube
42	1	Spindle liner
43	2	Clamp
44	1	Lock
45	1	Guide ring
47	1	O-ring
48	1	Upper sealing element
49	1	Lip seal
52	1	O-ring
54	1	Guide ring
55	1	Upper plug
56	1	Seal ring
57	1	Lip seal
58	1	Spray nozzle
74	1	Seal ring
75	1	Lower plug
76	1	O-ring
82	1	Bolt for indication
83	1	Sensor for indication
83.1	1	Cable for sensor for indication
95	1	Special lip seal
96	1	Lower sealing element, upper part
97	1	Lower sealing element, lower part
98	1	Guide ring, Turcite

Service kits

Denomination	2" Seat ø53.3	2½" Seat ø81.3	3" Seat ø81.3	4" Seat ø100.3	6" Seat ø115.3
Service kit, EPDM	9611-92-8257	9611-92-8261	9611-92-8261	9611-92-8265	9611-92-8269
Service kit, NBR	9611-92-8258	9611-92-8262	9611-92-8262	9611-92-8266	9611-92-8270
Service kit, FPM	9611-92-8259	9611-92-8263	9611-92-8263	9611-92-8267	9611-92-8271
Service kit, HNBR	9611-92-8260	9611-92-8264	9611-92-8264	9611-92-8268	9611-92-8272

For mixed size housings, the service kit is determined by the smallest size connection on the valve.

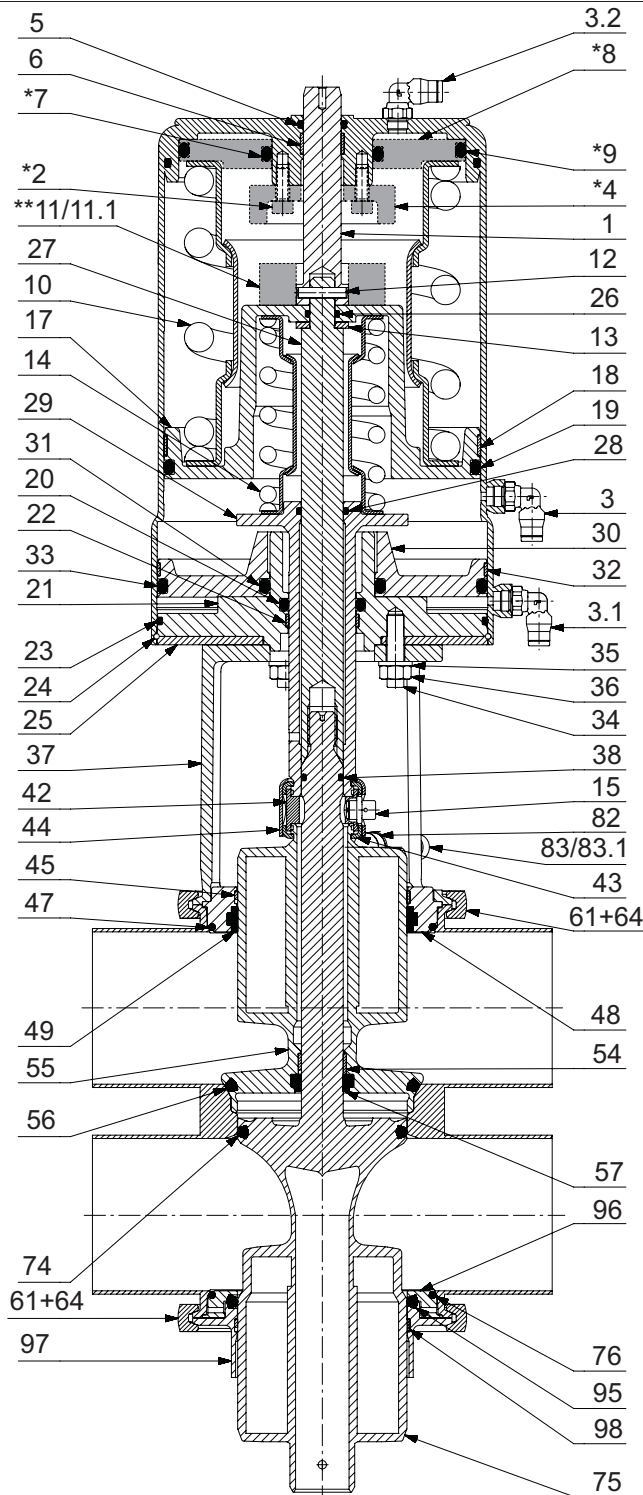
One exception is any housing with 6" connections will always refer to the 6" service kits listed below:

Service kit, EPDM	9611-92-8321	9611-92-8325	9611-92-8325	9611-92-8329
Service kit, NBR	9611-92-8322	9611-92-8326	9611-92-8326	9611-92-8330
Service kit, FPM	9611-92-8323	9611-92-8327	9611-92-8327	9611-92-8331
Service kit, HNBR	9611-92-8324	9611-92-8328	9611-92-8328	9611-92-8332

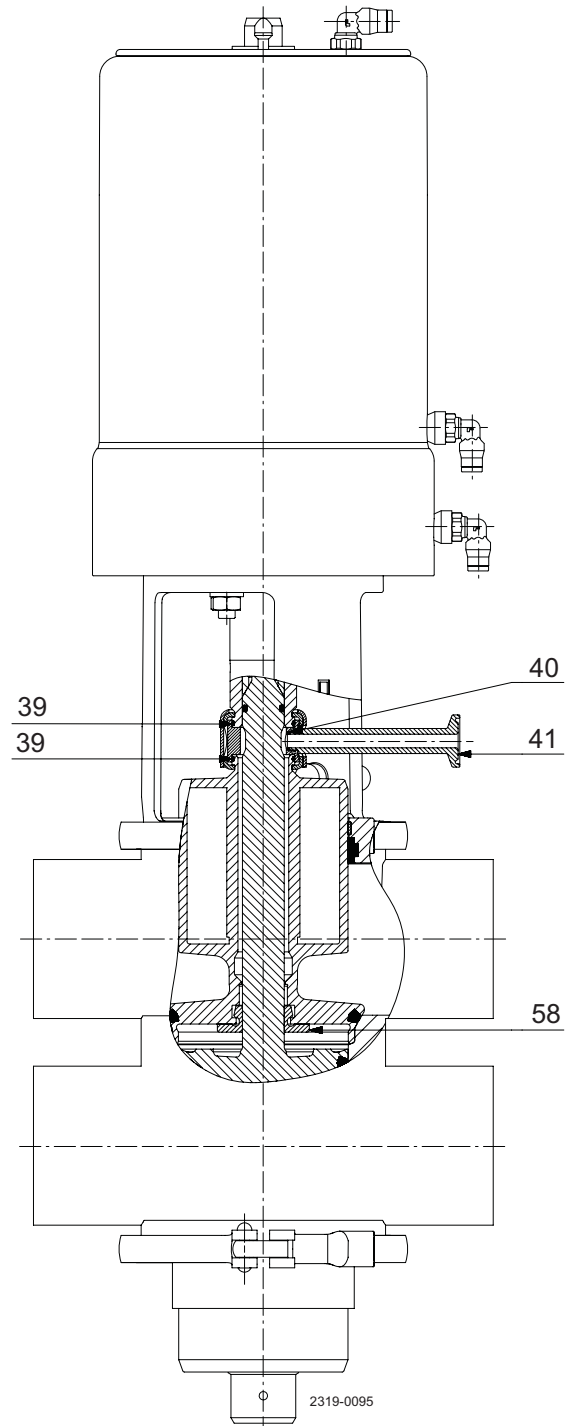
8 Parts list and service kits

For spare parts please refer to spare parts catalogue.

8.14 Plug setup 20



without SpiralClean in leakage chamber



with SpiralClean in leakage chamber

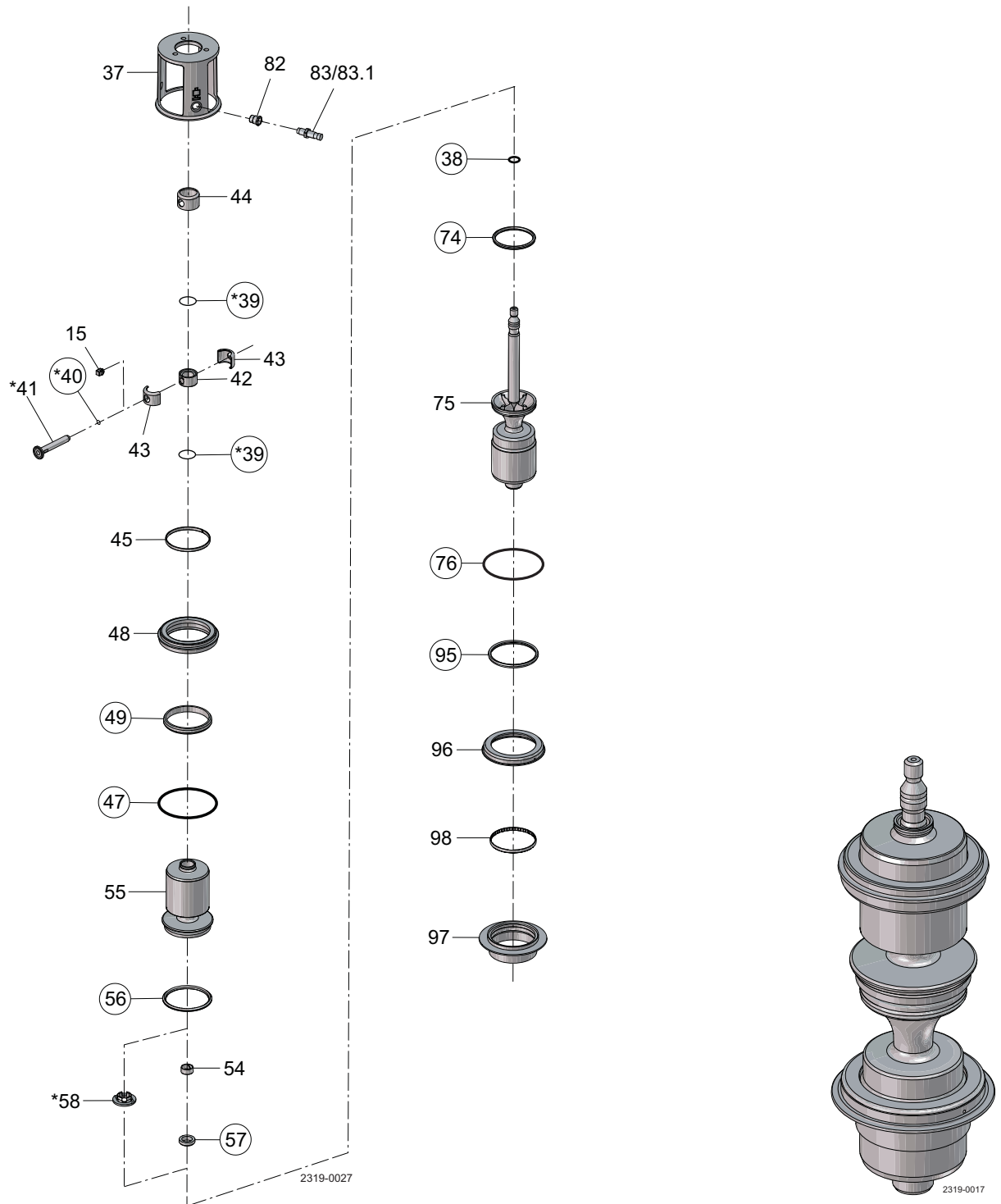
■ = Parts not used in all actuators

* = Not used in 1½" and 2"

** = Not used in 2½", 3", 4" and 6"

8 Parts list and service kits

For spare parts please refer to spare parts catalogue.



8 Parts list and service kits

For spare parts please refer to spare parts catalogue.

Parts list

Pos.	Qty	Denomination
15	1	Plug
37	1	Intermediate piece
38	1	O-ring
39	2	O-ring
40	1	O-ring
41	1	Flushing tube
42	1	Spindle liner
43	2	Clamp
44	1	Lock
45	1	Guide ring
47	1	O-ring
48	1	Upper sealing element
49	1	Lip seal
52	1	O-ring
54	1	Guide ring
55	1	Upper plug
56	1	Seal ring
57	1	Lip seal
58	1	Spray nozzle
75	1	Lower plug
76	1	O-ring
82	1	Bolt for indication
83	1	Sensor for indication
83.1	1	Cable for sensor for indication
95	1	Special lip seal
96	1	Lower sealing element, upper part
97	1	Lower sealing element, lower part
98	1	Guide ring, Turcite

Service kits

Denomination	1½"	2"	2½"	3"	4"	6"
	Seat ø53.3	Seat ø53.3	Seat ø81.3	Seat ø81.3	Seat ø100.3	Seat ø115.3
Service kit, EPDM	9611-92-8273	9611-92-8277	9611-92-8281	9611-92-8281	9611-92-8285	9611-92-8289
Service kit, NBR	9611-92-8274	9611-92-8278	9611-92-8282	9611-92-8282	9611-92-8286	9611-92-8290
Service kit, FPM	9611-92-8275	9611-92-8279	9611-92-8283	9611-92-8283	9611-92-8287	9611-92-8291
Service kit, HNBR	9611-92-8276	9611-92-8280	9611-92-8284	9611-92-8284	9611-92-8288	9611-92-8292

For mixed size housings, the service kit is determined by the smallest size connection on the valve.

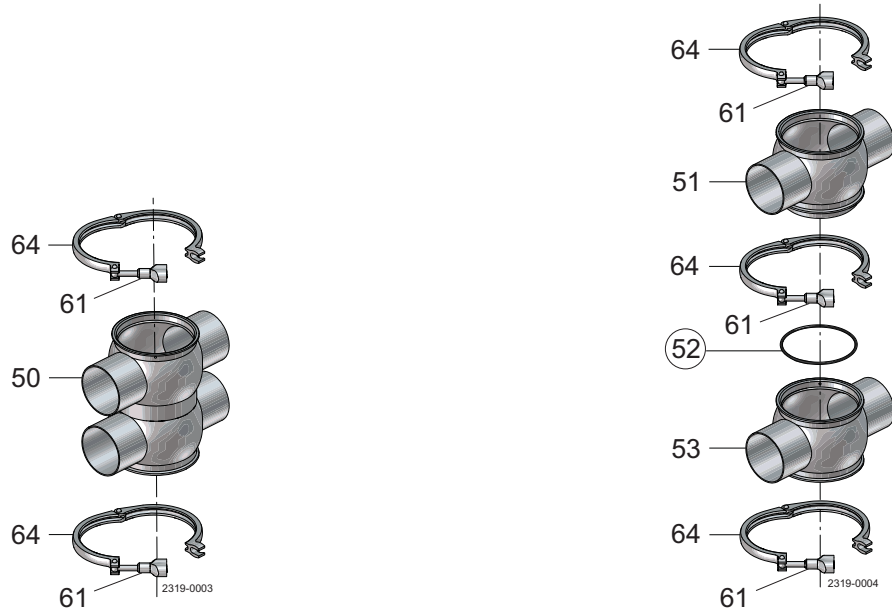
One exception is any housing with 6" connections will always refer to the 6" service kits listed below:

Service kit, EPDM	9611-92-8333	9611-92-8337	9611-92-8341	9611-92-8341	9611-92-8345
Service kit, NBR	9611-92-8334	9611-92-8338	9611-92-8342	9611-92-8342	9611-92-8346
Service kit, FPM	9611-92-8335	9611-92-8339	9611-92-8343	9611-92-8343	9611-92-8347
Service kit, HNBR	9611-92-8336	9611-92-8340	9611-92-8344	9611-92-8344	9611-92-8348

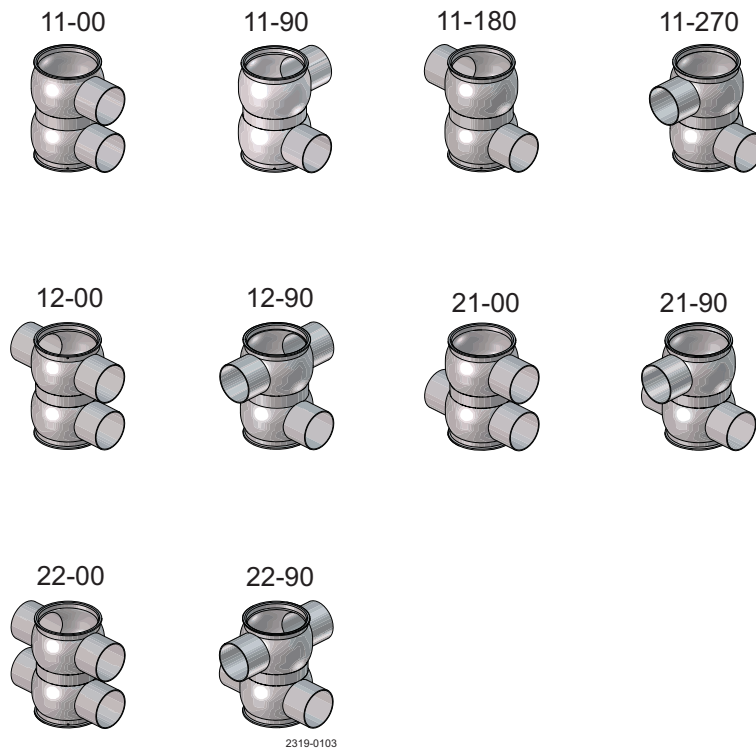
8 Parts list and service kits

For spare parts please refer to spare parts catalogue.

8.15 Valve body



Body combination - welded bodies



8 Parts list and service kits

For spare parts please refer to spare parts catalogue.

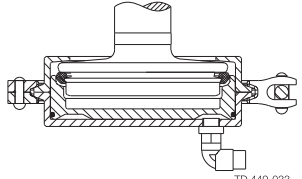
Parts list

Pos.	Qty	Denomination
50	1	Valve body
51	1	Valve body, upper
52	1	O-ring
53	1	Valve body, lower
61	2	Wingnut
64	2	Clamp without nut

8 Parts list and service kits

For spare parts please refer to spare parts catalogue.

8.16 Axial installation tool (upper plug)

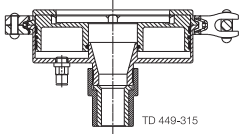
Item No.	Item No.	Item No.	Item No.	
1½" + 2" Seat ø53.3	2½" + 3" Seat ø81.3	4" Seat ø100.3	6" Seat ø115.3	Tool for axial sealing, upper plug
9613050501	9613050502	9613050508	9613050503	

For spare parts please see spare parts catalogue.

8 Parts list and service kits

For spare parts please refer to spare parts catalogue.

8.17 Radial installation tool (lower plug)

Item No.	Item No.	Item No.	Item No.	
1½" + 2" Seat ø53.3	2½" + 3" Seat ø81.3	4" Seat ø100.3	6" Seat ø115.3	Tool for radial sealing, lower plug
9613426001	9613426002	9613426003	9613426004	 TD 449-315

For spare parts please see spare parts catalogue.



© Alfa Laval Corporate AB

This document and its contents is owned by Alfa Laval Corporate AB and protected by laws governing intellectual property and thereto related rights. It is the responsibility of the user of this document to comply with all applicable intellectual property laws. Without limiting any rights related to this document, no part of this document may be copied, reproduced or transmitted in any form or by any means (electronic, mechanical, photocopying, recording, or otherwise), or for any purpose, without the expressed permission of Alfa Laval Corporate AB. Alfa Laval Corporate AB will enforce its rights related to this document to the fullest extent of the law, including the seeking of criminal prosecution.