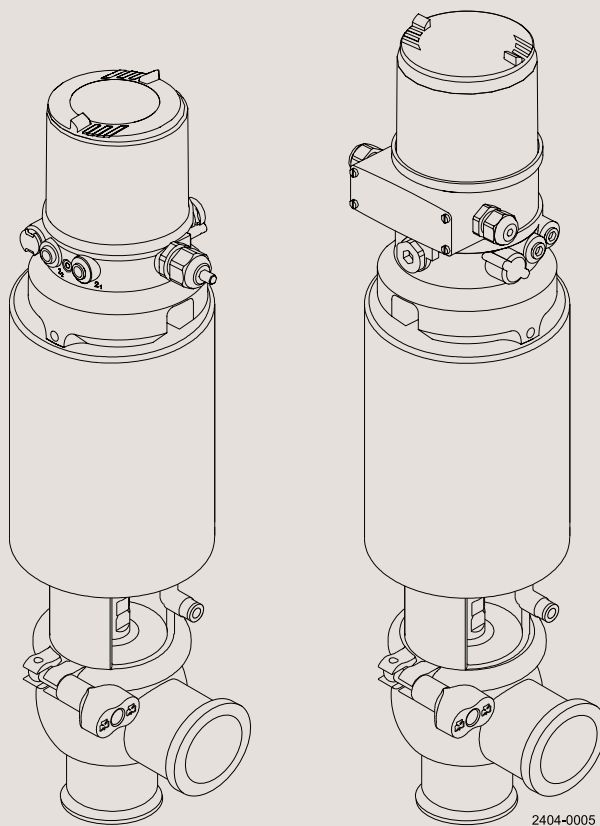




Spare Parts

Unique RV-ST regulating valve with electro pneumatic positioner



ESE02196-ENUS10 2023-01

Original manual

The information herein is correct at the time of issue but may be subject to change without prior notice

1. Important information	4
2. Unique RV-ST regulating valve – shut-off valve	6
3. Unique RV-ST regulating valve – maintainable actuator	10
4. Unique RV-ST needle valve	12

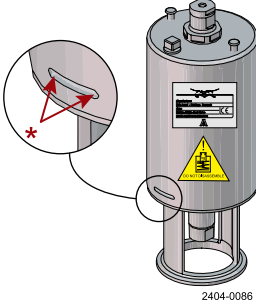
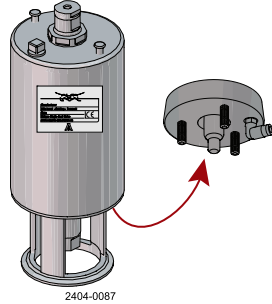

1 Important information

Different actuator types for the SSV valve

In June 2016 the below change was implemented and the "removable yoke with bolts" version is thereby phased out and replaced by the "yoke without bolts" version.

NOTE

It is important to check for warnings marked on the actuator when servicing an actuator- see below table.

<p>Actuator type</p>	<p>Non-maintable actuator Spring under load and can NOT be opened</p>  <p>2404-0086</p> <p>*) Lock wire opening is locked, when warning is marked on actuator</p>	<p>Fully maintainable actuator Spring cage and can be opened</p>  <p>2404-0087</p>	<p>Fully maintainable actuator Spring cage and can be opened</p>  <p>2404-0088</p>
<p>Yoke type</p>	<p>Non-removable yoke</p>	<p>"Removable yoke with bolts". If the yoke with bolts is damaged it has to be replaced by the "yoke without bolts"</p>	<p>"Yoke without bolts"</p>
<p>Service</p>	<p>Not possible to service internally (it is not possible to change piston o-rings)</p>	<p>Yes</p>	<p>Yes</p>
<p>Marked with warnings</p>	<p>Yes</p>	<p>No</p>	<p>No</p>
<p>Year of production</p>	<p>From 2006</p>	<p>From 2006 – June 2016</p>	<p>From June 2016</p>

Unique RV-ST regulating valve – shut-off valve

If the actuator is marked with a danger warning do **NOT** attempt to cut the actuator open.



Do **NOT** attempt to disassemble the actuator due to spring under load danger.

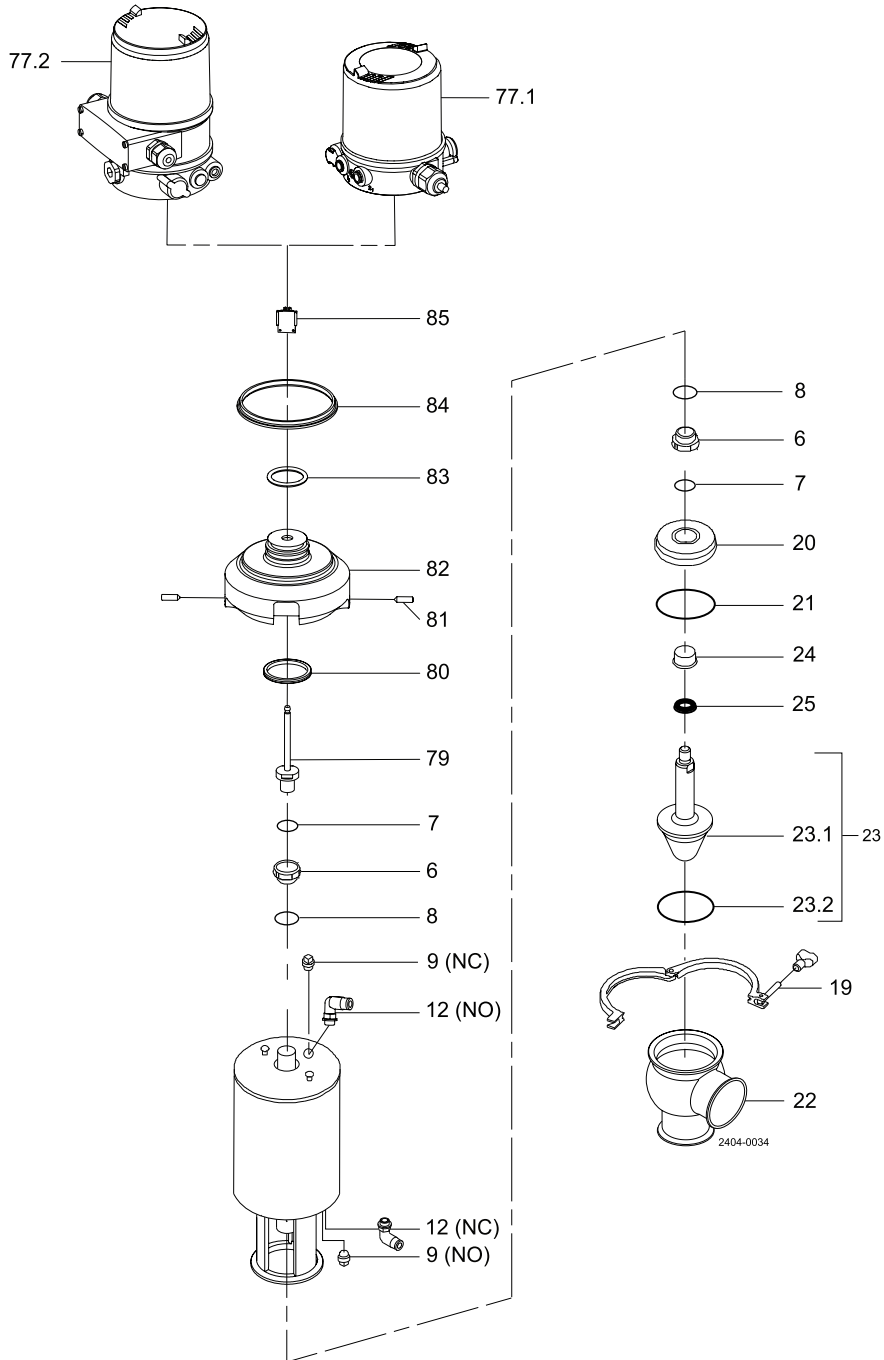


Do **NOT** attempt to cut the actuator open, due to spring under load danger.

AND



Do **NOT** attempt to cut the actuator open, due to spring under load danger.



Unique RV-ST regulating valve – shut-off valve

Pos	Qty	Denomination	1½"	2"	2½"	3"	4"
		Actuator, complete , (NO)	9613154831	9613154832	9613154833	9613154834	9613154835
		Actuator, complete , (NC)	9613154836	9613154837	9613154838	9613154839	9613154840
6 •	2	Bushing					
7 •	2	O-ring					
8 •	2	O-ring					
9	1	Plug (NO+NC)	9613414101	9613414101	9613414101	9613414101	9613414101
12	1	Air fitting (NC)	9611994682	9611994682	9611994682	9611994682	9611994682
76	1	Positioner, 8694 (incl. Pos. 77 to 85) ...	9634085943	9634085943	9634085943	9634085943	9634085943
	1	Positioner, 8692 (incl. Pos. 77 to 85) ...	9634085944	9634085944	9634085944	9634085944	9634085944
77.1	1	Positioner 8694 without display					
77.2	1	Positioner 8692 with display					
79	1	Spindle					
80	1	Special X-ring	9612569601	9612569601	9612569601	9612569601	9612569601
81	2	Allen screw	9611993409	9611993409	9611993409	9611993409	9611993409
82	1	Adapter					
83	1	O-ring	9611995273	9611995273	9611995273	9611995273	9611995273
84	1	Gasket for adapter	9611995274	9611995274	9611995274	9611995274	9611995274
85	1	Puck sensorpad, cpl., (Green)	9611995275	9611995275	9611995275	9611995275	9611995275
	1	Puck sensorpad, cpl., (Gray)					
Clamp							
19	1	Clamp	9612939316	9612939317	9612939318	9612939319	9612939320
Bonnet							
20	1	Bonnet	9613127102	9613127103	9613127104	9613127105	9613127106
21 □	1	O-ring, EPDM (standard)					
	1	O-ring, HNBR					
	1	O-ring, FPM					
		O-ring, set (10 pcs.) EPDM	9614059422	9614059425	9614059428	9614059431	9614059434
		O-ring, set (10 pcs.) HNBR	9614059423	9614059426	9614059429	9614059432	9614059435
		O-ring, set (10 pcs.) FPM	9614059424	9614059427	9614059430	9614059433	9614059436
24	1	Bushing	9613125002	9613125002	9613125002	9613125002	9613125002
25 □	1	Lip seal, EPDM (standard)					
	1	Lip seal, HNBR					
	1	Lip seal, FPM					
		Lip seal, set (10 pcs.) EPDM	9614059419	9614059419	9614059419	9614059419	9614059419
		Lip seal, set (10 pcs.) HNBR	9614059420	9614059420	9614059420	9614059420	9614059420
		Lip seal, set (10 pcs.) FPM	9614059421	9614059421	9614059421	9614059421	9614059421
Valve Body							
22	1	Valve body, lower, 2 ports, clamp	9613161603	9613161605	9613161607	9613161609	9613161611
	1	Valve body, lower, 3 ports, clamp	9613161604	9613161606	9613161608	9613161610	9613161612
	1	Valve body, lower 2 ports, welding ends	9613139515	9613139517	9613139519	9613139521	9613139523
	1	Valve body, lower 3 ports, welding ends	9613139516	9613139518	9613139520	9613139522	9613139524
Valve Plug							
23	1	Plug, complete, EPDM (standard) Cv 16 ..	9613158901				
	1	Plug, complete, EPDM (standard) Cv 52 ..	9613158902				
	1	Plug, complete, EPDM (standard) Cv 19 ..	9613168501				
	1	Plug, complete, EPDM (standard) Cv 29 ..	9613168502				
	1	Plug, complete, EPDM (standard) Cv 88 ..		9613158903			
	1	Plug, complete, EPDM (standard) Cv 11 ..		9613168503			
	1	Plug, complete, EPDM (standard) Cv 35 ..		9613165504			
	1	Plug, complete, EPDM (standard) Cv 60 ..		9613158505			
	1	Plug, complete, EPDM (standard) Cv 126 ..			9613158904		
	1	Plug, complete, EPDM (standard) Cv 30 ..			9613168507		
	1	Plug, complete, EPDM (standard) Cv 202 ..				9613158905	
	1	Plug, complete, EPDM (standard) Cv 119 ..				9613168508	
	1	Plug, complete, EPDM (standard) Cv 69 ..				9613168601	
	1	Plug, complete, EPDM (standard) Cv 290 ..					9613158906
	1	Plug, complete, EPDM (standard) Cv 148 ..					9613168602
	1	Plug, complete, EPDM (standard) Cv 193 ..					9613168603
	1	Plug, complete, HNBR Cv 16	9613158913				
	1	Plug, complete, HNBR Cv 52	9613158914				
	1	Plug, complete, FPM Cv 19	9613158917				
	1	Plug, complete, FPM Cv 29	9613158918				
	1	Plug, complete, HNBR Cv 88		9613158915			
	1	Plug, complete, HNBR Cv 11		9613158919			
	1	Plug, complete, HNBR Cv 35		9613158920			
	1	Plug, complete, HNBR Cv 60		9613158921			
	1	Plug, complete, HNBR Cv 126			9613158916		
	1	Plug, complete, HNBR Cv 30			9613158923		
	1	Plug, complete, HNBR Cv 202				9613158917	
	1	Plug, complete, HNBR Cv 119				9613168524	
	1	Plug, complete, HNBR Cv 69				9613168507	
	1	Plug, complete, HNBR Cv 290					9613158918
	1	Plug, complete, HNBR Cv 148					9613168608
	1	Plug, complete, HNBR Cv 193					9613168609

Unique RV-ST regulating valve – shut-off valve

If the actuator is marked with a danger warning do **NOT** attempt to cut the actuator open.



Do **NOT** attempt to disassemble the actuator due to spring under load danger.

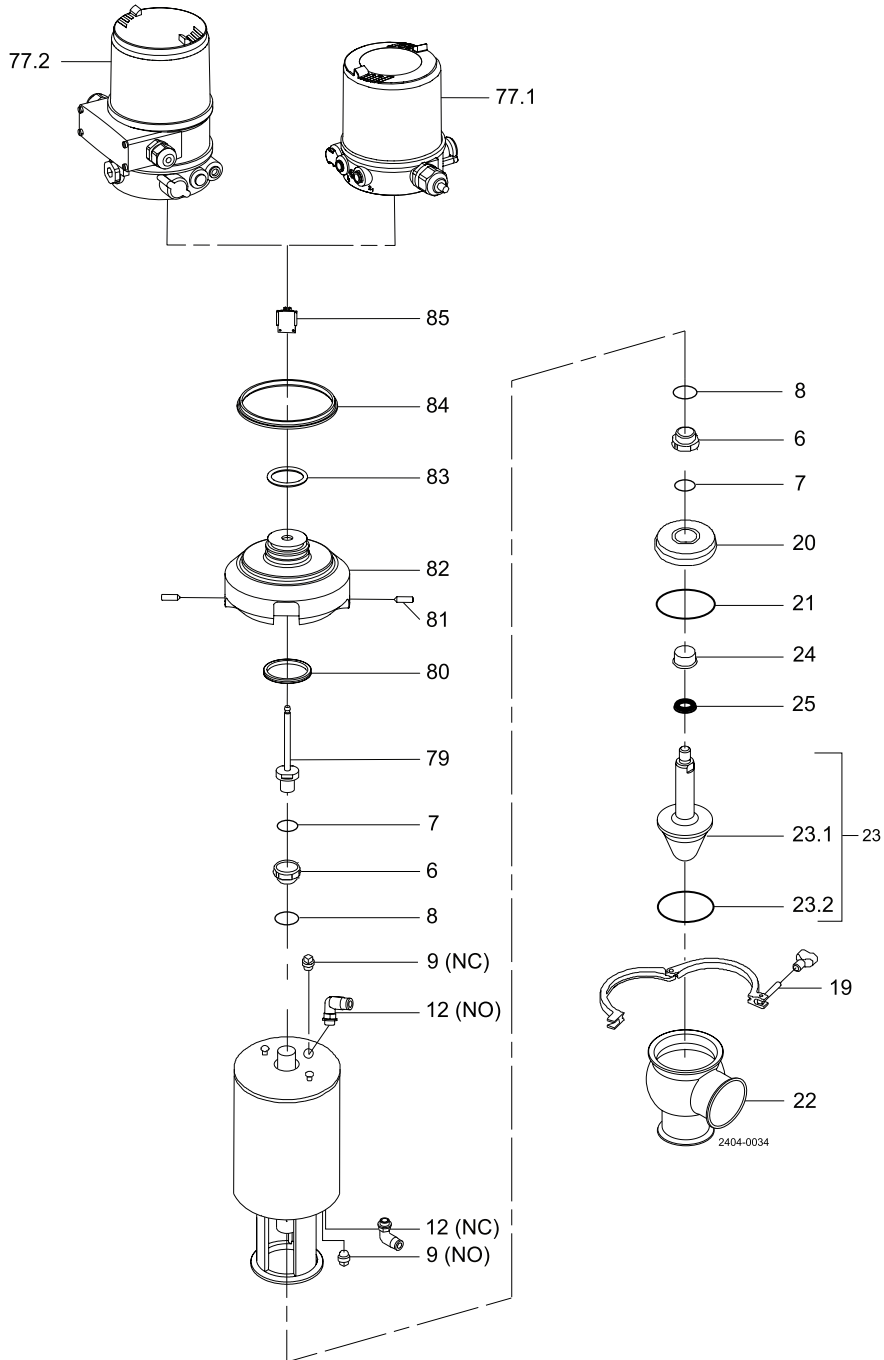


Do **NOT** attempt to cut the actuator open, due to spring under load danger.

AND



Do **NOT** attempt to cut the actuator open, due to spring under load danger.



Unique RV-ST regulating valve – shut-off valve

Pos	Qty Denomination	1½"	2"	2½"	3"	4"
	1 Plug, complete, FPM Cv 16	9613158925				
	1 Plug, complete, FPM Cv 52	9613158926				
	1 Plug, complete, FPM Cv 19	9613168533				
	1 Plug, complete, FPM Cv 29	9613168534				
	1 Plug, complete, FPM Cv 88		9613158927			
	1 Plug, complete, FPM Cv 11		9613168535			
	1 Plug, complete, FPM Cv 35		9613168536			
	1 Plug, complete, FPM Cv 60		9613168537			
	1 Plug, complete, FPM Cv 126			9613158928		
	1 Plug, complete, FPM Cv 30			9613168539		
	1 Plug, complete, FPM Cv 202				9613158929	
	1 Plug, complete, FPM Cv 119				9613168540	
	1 Plug, complete, FPM Cv 69				9613168513	
	1 Plug, complete, FPM Cv 290					9613158930
	1 Plug, complete, FPM Cv 148					9613168614
	1 Plug, complete, FPM Cv 193					9613168615
23. 1	1 Plug, Cv 16	9613158801				
	1 Plug, Cv 52	9613158802				
	1 Plug, Cv 19	9613165001				
	1 Plug, Cv 29	9613165002				
	1 Plug, Cv 88		9613158803			
	1 Plug, Cv 11		9613165003			
	1 Plug, Cv 35		9613165004			
	1 Plug, Cv 60		9613165005			
	1 Plug, Cv 126			9613165004		
	1 Plug, Cv 30			9613165007		
	1 Plug, Cv 202				9613158805	
	1 Plug, Cv 119				9613165008	
	1 Plug, Cv 69				9613167001	
	1 Plug, Cv 290					9613158806
	1 Plug, Cv 148					9613167002
	1 Plug, Cv 193					9613167003
23. □	1 Plug seal, EPDM (standard)					
	1 Plug seal, HNBR					
	1 Plug seal, FPM					
	Plug seal, set (10 pcs.) EPDM	9614059404	9614059407	9614059410	9614059413	9614059416
	Plug seal, set (10 pcs.) HNBR	9614059405	9614059408	9614059411	9614059414	9614059417
	Plug seal, set (10 pcs.) FPM	9614059406	9614059409	9614059412	9614059415	9614059418

Service kit

		1½"	2"	2½"	3"	4"
•	Service kit, actuator	9611926500	9611926500	9611926500	9611926500	9611926500
□	Service kit, EPDM	9611926502	9611926503	9611926504	9611926505	9611926506
□	Service kit, HNBR	9611926508	9611926509	9611926510	9611926511	9611926512
□	Service, FPM	9611926514	9611926515	9611926516	9611926517	9611926518

Parts marked with ● are included in the service kits (actuator)

Parts marked with □ are included in the service kits (product wetted parts)

Tool for bushing (pos. 24) 9613160901

TD 900-616/4

Unique RV-ST regulating valve – maintainable actuator

If the actuator is marked with a danger warning do **NOT** attempt to cut the actuator open.



Do **NOT** attempt to disassemble the actuator due to spring under load danger.

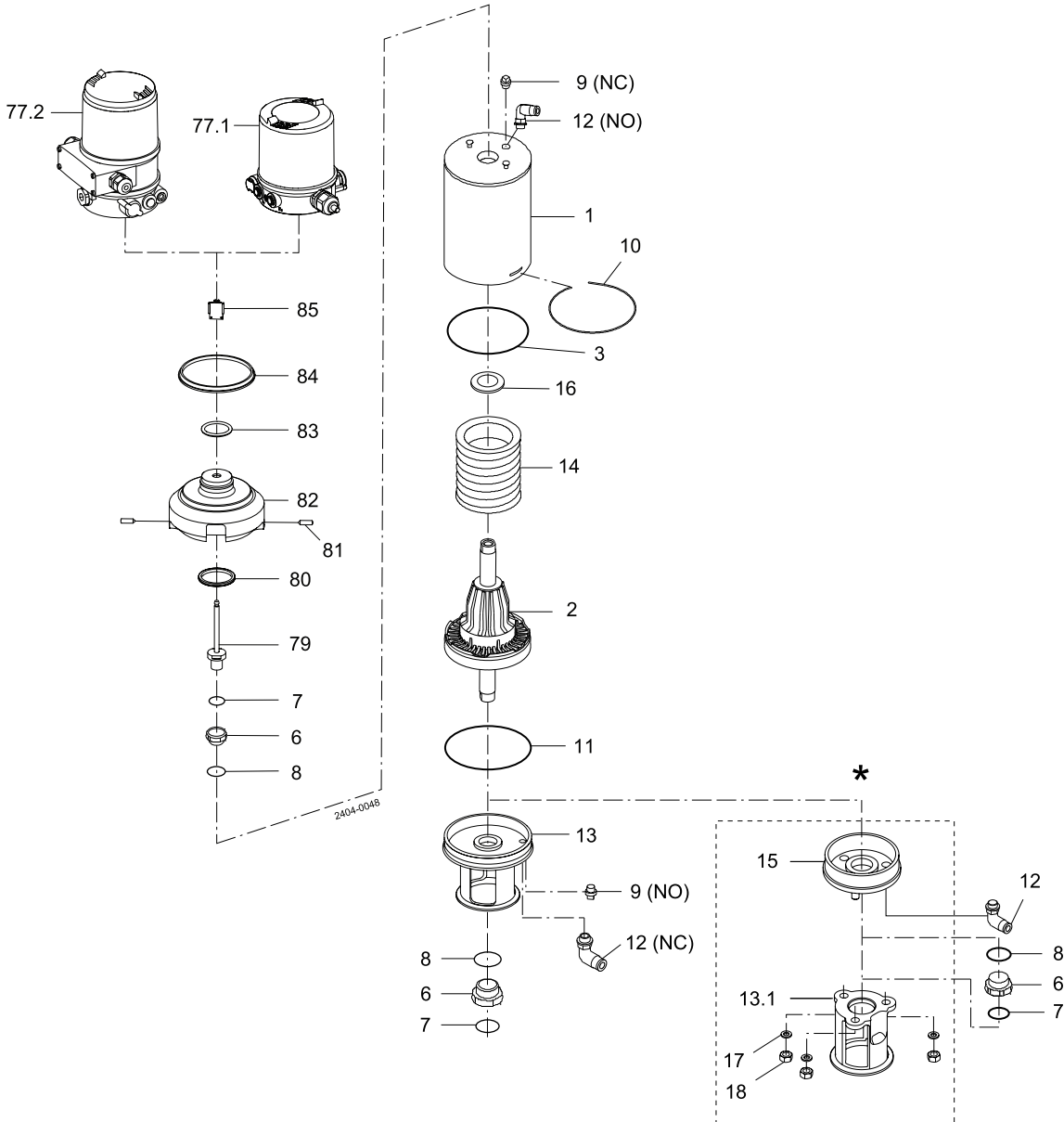


Do **NOT** attempt to cut the actuator open, due to spring under load danger.

AND



Do **NOT** attempt to cut the actuator open, due to spring under load danger.



*) "Removable yoke bolts" version, product from 2006 to June 2016.
Replaced by "yoke without bolts" (13)

Unique RV-ST regulating valve – maintainable actuator

Pos	Qty	Denomination	1½"	2"	2½"	3"	4"
		Actuator, complete (NO)	9613185316	9613185317	9613185318	9613185319	9613185320
		Actuator, complete (NC)	9613185321	9613185322	9613185323	9613185324	9613185325
1	1	Cylinder	9613142520	9613142521	9613142521	9613142522	9613142522
2	1	Piston	9613132201	9613132301	9613132301	9613132401	9613132401
3	• 1	O-ring					
6	• 2	Bushing					
7	• 2	O-ring					
8	• 2	O-ring					
9	1	Plug	9613414101	9613414101	9613414101	9613414101	9613414101
10	1	Lock wire	9613143201	9613143202	9613143202	9613143203	9613143203
11	• 1	O-ring					
12	1	Air fitting	9611994682	9611994682	9611994682	9611994682	9611994682
13	1	Yoke	9613154301	9613154402	9613154502	9613154603	9613154703
14	1	Spring assembly	9613132501	9613132502	9613132502	9613132503	9613132503
16	• 1	Support disc					
76	1	Positioner, 8694 (incl. Pos. 77 to 85) ...	9614180401	9614180401	9614180401	9614180401	9614180401
	1	Positioner, 8692 (incl. Pos. 77 to 85) ...	9614180501	9614180501	9614180501	9614180501	9614180501
77.	1	Positioner 8694 without display					
1							
77.	1	Positioner 8692 with display					
2							
79	1	Spindle					
80	1	Special X-ring	9612569601	9612569601	9612569601	9612569601	9612569601
81	2	Allen screw	9611993409	9611993409	9611993409	9611993409	9611993409
82	1	Adapter					
83	1	O-ring	9611995273	9611995273	9611995273	9611995273	9611995273
84	1	Gasket for adapter	9611995274	9611995274	9611995274	9611995274	9611995274
85	1	Puck sensorpad, cpl.	9611995275	9611995275	9611995275	9611995275	9611995275

Service kit

		1½"	2"	2½"	3"	4"
•	Service kit, Actuator	9611926497	9611926498	9611926499	9611926499	9611926499

Parts marked with • are included in the service kits (actuator)

Recommended spare parts: Service kits.

TD900-617/5

If the actuator is marked with a danger warning do **NOT** attempt to cut the actuator open.



Do **NOT** attempt to disassemble the actuator due to spring under load danger.

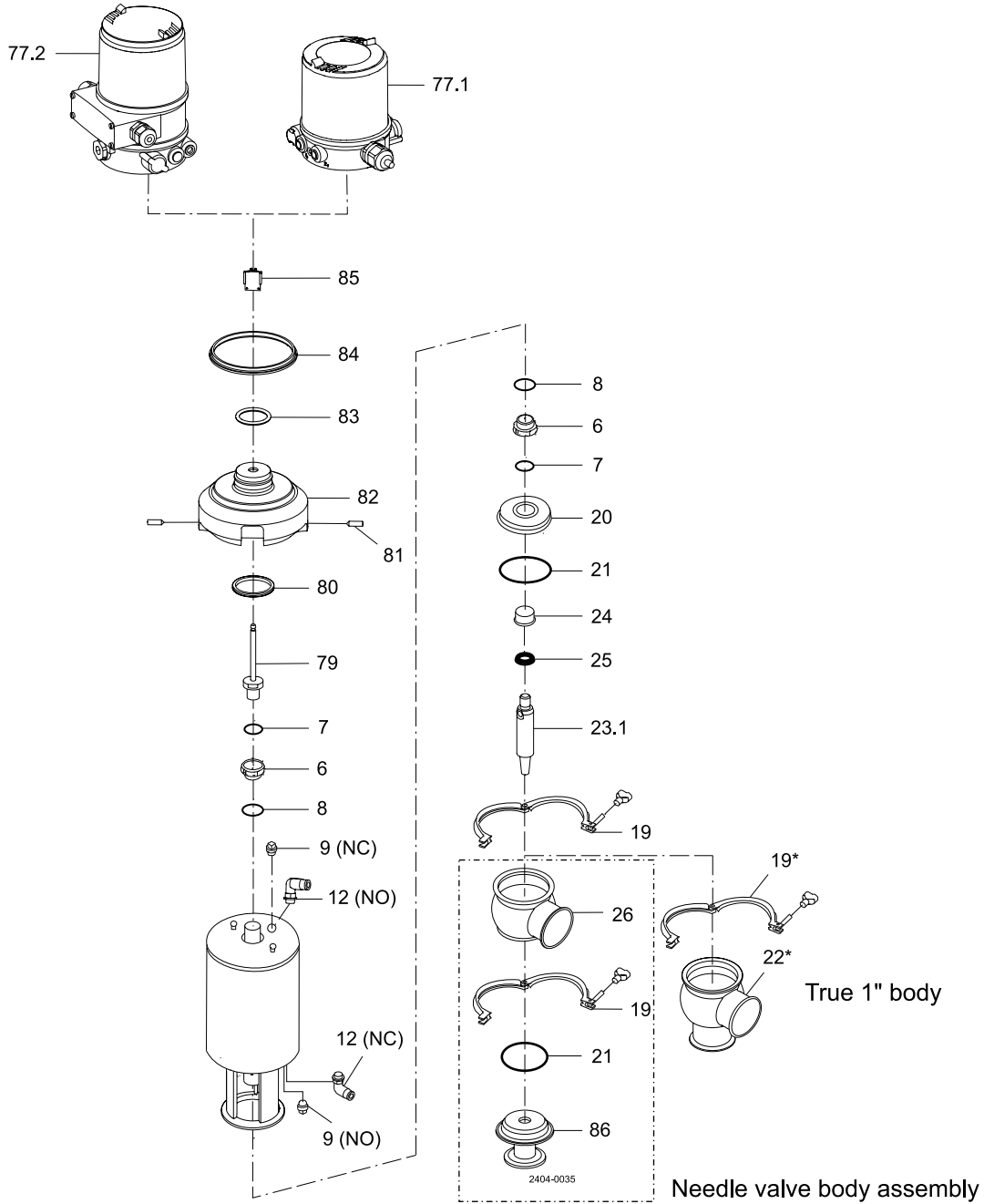


Do **NOT** attempt to cut the actuator open, due to spring under load danger.

AND



Do **NOT** attempt to cut the actuator open, due to spring under load danger.



Unique RV-ST needle valve

Pos	Qty	Denomination	1" Needle	1" Std
Actuator				
		Actuator, complete (NO)	9613185316	9613185316
		Actuator, complete (NC)	9613185321	9613185321
6	□	2 Bushing		
7	□	2 O-ring		
8	□	2 O-ring		
9		1 Plug	9613414101	9613414101
12		1 Air fitting	9611994682	9611994682
76		1 Positioner 8694, (incl. Pos. 77 to 85)	9634085943	9634085943
		1 Positioner 8692, (incl. Pos. 77 to 85)	9634085944	9634085944
77.		1 Positioner 8694, without display		
1		77.		
2		1 Positioner 8692, with display		
79		1 Spindle		
80		1 Special X-ring	9612569601	9612569601
81		2 Allen screw	9611993409	9611993409
82		1 Adapter		
83		1 O-ring	9611995273	9611995273
84		1 Gasket for adapter	9611995274	9611995274
85		1 Puck sensorpad, cpl., (Green)	9611995275	9611995275
		1 Puck sensorpad, cpl., (Gray)		
Clamp				
19		2 Clamp	9612939316	
		1 Clamp		9612939316
Bonnet				
20		1 Bonnet	9613127102	9613127102
21	◆	2 O-ring, EPDM (standard)		
	◆	2 O-ring, HNBR		
	◆	2 O-ring, FPM		
	◆	1 O-ring, EPDM (standard)		
	◆	1 O-ring, HNBR		
	◆	1 O-ring, FPM		
		1 O-ring, set (10 pcs) EPDM	9614059422	9614059422
		1 O-ring, set (10 pcs) HNBR	9614059423	9614059423
		1 O-ring, set (10 pcs) FPM	9614059424	9614059424
24		1 Bushing	9613125002	9613125002
25	*	1 Lip seal, EPDM (standard)		
		1 Lip seal, HNBR		
		1 Lip seal, FPM		
		1 Lip seal, set (10 pcs) EPDM	9614059419	9614059419
		1 Lip seal, set (10 pcs) HNBR	9614059420	9614059420
		1 Lip seal, set (10 pcs) FPM	9614059421	9614059421
Valve Body				
22		1 Valve body, lower, 2 ports, clamp		9613161601
		1 Valve body, lower, 3 ports, clamp		
		1 Valve body, lower, 2 ports, welding ends		9613139513
		1 Valve body, lower, 3 ports, welding ends		
26		1 Valve body, upper, 1 ports, clamp ends	9613161501	
		1 Valve body, upper, 2 ports, clamp ends		
		1 Valve body, upper, 1 ports, welding ends	9613139313	
		1 Valve body, upper, 2 ports, welding ends		
86		1 Valve body base, clamp	9634087702	
Valve Plug				
23		1 Plug, Cv 1.1	9634087802	
		1 Plug, Cv 1.7	9634087803	
		1 Plug, Cv 2.2	9634087804	
		1 Plug, Cv 2.9	9634087805	
		1 Plug, Cv 3.4	9634087806	
		1 Plug, Cv 7.8		9634087901
		1 Plug, Cv 15.3		9634088001
Service kits				
	□	Service kit, actuator	9611926500	9611926500
	◆	Service kit, EPDM	9611926958	9611926961
	◆	Service kit, HNBR	9611926959	9611926962
	◆	Service kit, FPM	9611926960	9611926963

Parts marked with □◆* are included in the service kits

How to contact Alfa Laval

Contact details for all countries are continually updated on our website.

Please visit www.alfalaval.com to access the information directly.

© Alfa Laval Corporate AB

This document and its contents is owned by Alfa Laval Corporate AB and protected by laws governing intellectual property and thereto related rights. It is the responsibility of the user of this document to comply with all applicable intellectual property laws. Without limiting any rights related to this document, no part of this document may be copied, reproduced or transmitted in any form or by any means (electronic, mechanical, photocopying, recording, or otherwise), or for any purpose, without the expressed permission of Alfa Laval Corporate AB. Alfa Laval Corporate AB will enforce its rights related to this document to the fullest extent of the law, including the seeking of criminal prosecution.