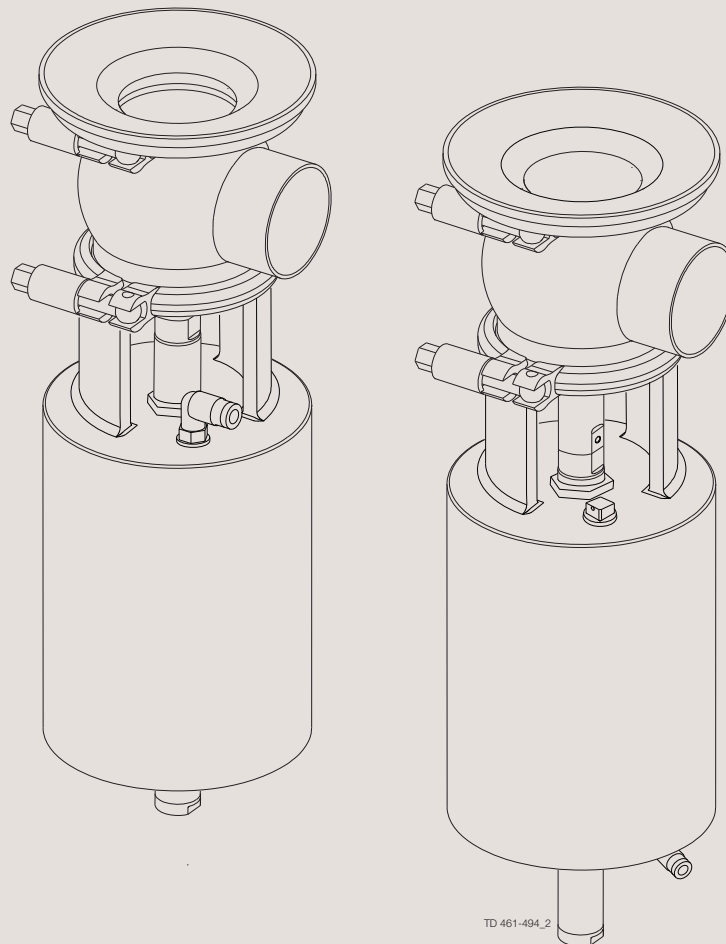


Spare Parts

Unique SSV -Tank Outlet





CSI

CONTACT CSI FOR MORE INFORMATION | CSIDESIGNS.COM | SALES@CSIDESIGNS.COM | 417.831.1411

The information herein is correct at the time of issue but may be subject to change without prior notice

1. Important information	4
2. TR2 - Tank Outlet Valve	6
3. TR2 - Reverse Acting - Tank Outlet Valve	8
4. Elastomer plug seal - Tank Outlet Valve	10
5. Elastomer plug seal - Reverse Acting - Tank Outlet Valve	12
6. Mounting Tool - Unique SSV - Tank Outlet Valve	16



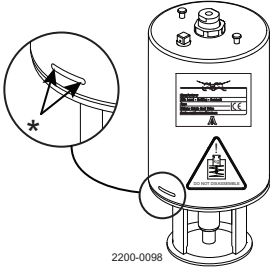
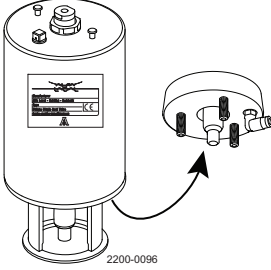

1 Important information

Different actuator types for the SSV valve

In June 2016 the below change was implemented and the “removable yoke with bolts” version is thereby phased out and replaced by the “yoke without bolts” version.

NOTE

It is important to check for warnings marked on the actuator when servicing an actuator - see below table.

Actuator type	Non-maintainable actuator Spring under load and CANNOT be opened  *) Lock wire opening is locked when warning is marked on actuator	Fully maintainable actuator Spring cage and can be opened 	Fully maintainable actuator Spring cage and can be opened 
Yoke type	Non-removable yoke	“Removable yoke with bolts”. If the yoke with bolts is damaged it has to be replaced by the “yoke without bolts”	“Yoke without bolts”
Service	Not possible to service internally (it is not possible to change piston O-rings)	Yes	Yes
Marked with warnings	Yes	No	No
Year of production	From 2006	From 2006 to June 2016	From June 2016



CSI

CONTACT CSI FOR MORE INFORMATION | CSIDESIGNS.COM | SALES@CSIDESIGNS.COM | 417.831.1411

TR2 - Tank Outlet Valve

If the actuator is marked with a danger warning do **NOT** attempt to cut the actuator open.



Do **NOT** attempt to disassemble the actuator due to spring under load danger.

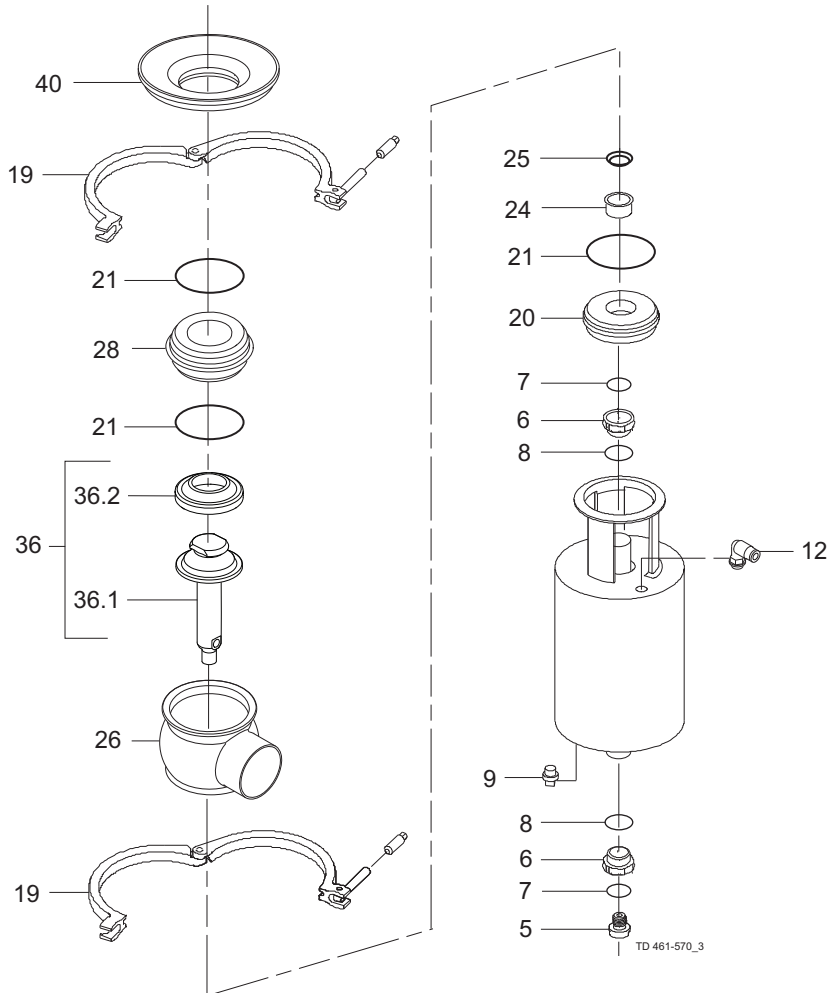


Do **NOT** attempt to cut the actuator open, due to spring under load danger.

AND



Do **NOT** attempt to cut the actuator open, due to spring under load danger.



TR2 - Tank Outlet Valve

Pos	Qty	Denomination	2"	2 1/2"	3"	4"
		Actuator, complete (NO)	9613154832	9613154833	9613154834	9613154835
		Actuator, complete (NC)	9613163137	9613154838	9613154839	9613163140
		Actuator, complete (A/A)	9613163142	9613163143	9613163144	9613163145
5	1	Adapter, plastic (- 0115)				
	1	Adapter, steel (0115 - 0518)				
	1	Adapter, steel (0518 -)	9615374701	9615374701	9615374701	9615374701
9	1	Plug	9613414101	9613414101	9613414101	9613414101
12	1(2)	Air fitting	9611994682	9611994682	9611994682	9611994682
19	2	Clamp	9612939323	9612939324	9612939325	9612939326
Bonnet						
20	1	Bonnet	9613127103	9613127104	9613127105	9613127106
21	♦ 3	O-ring, EPDM (standard)				
	3	O-ring, HNBR				
	3	O-ring, FPM				
		O-ring, set (10 pcs.) EPDM	9614059425	9614059428	9614059431	9614059434
		O-ring, set (10 pcs.) HNBR	9614059426	9614059429	9614059432	9614059435
		O-ring, set (10 pcs.) FPM	9614059427	9614059430	9614059433	9614059436
24	1	Bushing	9613125002	9613125002	9613125002	9613125002
25	♦ 1	Lip seal, EPDM (standard)				9613120501
	1	Lip seal, HNBR				
	1	Lip seal, FPM				
		Lip seal, set (10 pcs.) EPDM	9614059419	9614059419	9614059419	9614059419
		Lip seal, set (10 pcs.)HNBR	9614059420	9614059420	9614059420	9614059420
		Lip seal, set (10 pcs.)FPM	9614059421	9614059421	9614059421	9614059421
Seat						
28	1	Seat	9613127503	9613127504	9613127505	9613127506
Valve Body						
26	1	Valve body, upper, 1 ports , clamp	9613161505	9613161507	9613161509	9613161511
	1	Valve body, upper, 2 ports , clamp	9613161506	9613161508	9613161510	9613161512
	1	Valve body, upper, 1 ports, welding ends	9613139317	9613139319	9613139321	9613139323
	1	Valve body, upper, 2 ports, welding ends	9613139318	9613139320	9613139322	9613139324
Tank flange						
40	1	Tank flange	9634069901	9634070001	9634070101	9634070201
Valve Plug						
36	1	Plug, shut off, complete	9613155803	9613155804	9613155805	9613155806
36.1	1	Plug, shut off	9613151102	9613151103	9613151104	9613151105
36.2♦	1	Plug seal, PTFE				
		Plug seal, set (10 pcs.) PTFE	9614059450	9614059451	9614059452	9614059453
			2"	2 1/2"	3"	4"

Recommended spare parts: Service kits.

•	Service kit, actuator	9611926500	9611926500	9611926500	9611926500
♦	Service kit, EPDM	9611926713	9611926714	9611926715	9611926716
♦	Service kit, HNBR	9611926717	9611926718	9611926719	9611926720
♦	Service kit, FPM	9611926721	9611926722	9611926723	9611926724

Parts marked with ♦♦ are included in the service kits (actuator)

Parts marked with ♦♦♦ are included in the service kits (product wetted parts)

TD 900-400/3

TR2 - Reverse Acting - Tank Outlet Valve

If the actuator is marked with a danger warning do **NOT** attempt to cut the actuator open.



Do **NOT** attempt to disassemble the actuator due to spring under load danger.

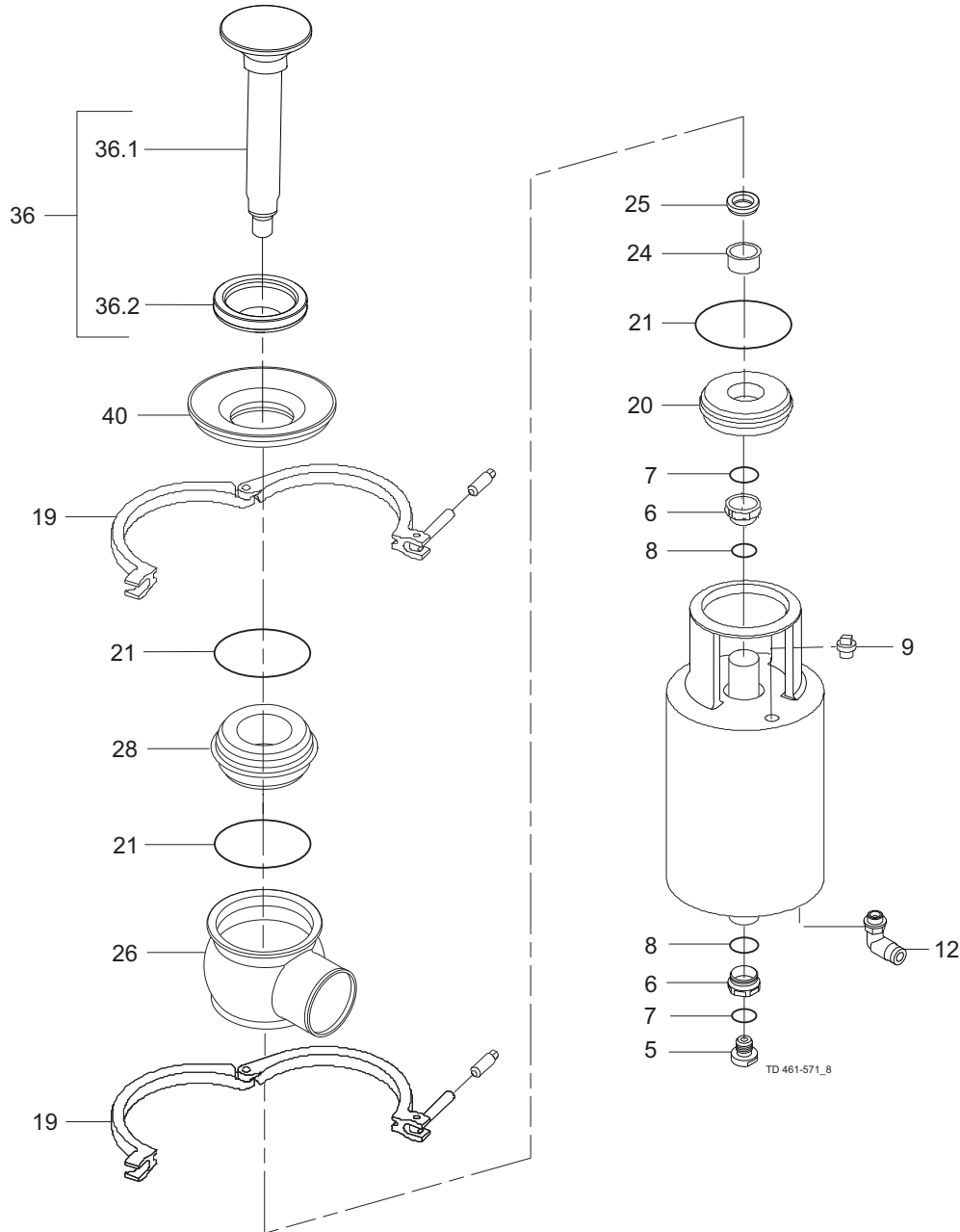


Do **NOT** attempt to cut the actuator open, due to spring under load danger.

AND



Do **NOT** attempt to cut the actuator open, due to spring under load danger.



TR2 - Reverse Acting - Tank Outlet Valve

Pos	Qty	Denomination	2"	2 1/2"	3"	4"
		Actuator, complete (NO-RA)	9613154837	9613154838	9613154839	9613154840
		Actuator, complete (NC-RA)	9613154832	9613154833	9613154834	9613154835
		Actuator, complete (A/A)	9613154842	9613154843	9613154844	9613154845
5	1	Adapter, plastic (- 0115)				
	1	Adapter, steel (0115 - 0518)				
	1	Adapter, steel (0518 -)	9615374701	9615374701	9615374701	9615374701
6	•	2 Bushing				
7	•	2 O-ring				
8	•	2 O-ring				
9	1	1 Plug	9613414101	9613414101	9613414101	9613414101
12	1(2)	Air fitting	9611994682	9611994682	9611994682	9611994682
Clamp						
19	2	Clamp	9612939323	9612939324	9612939325	9612939326
Bonnet						
20	1	Bonnet	9613127103	9613127104	9613127105	9613127106
21	♦	3 O-ring, EPDM (standard)				
	3	O-ring, HNBR				
	3	O-ring, FPM				
		O-ring, set (10 pcs.) EPDM	9614059425	9614059428	9614059431	9614059434
		O-ring, set (10 pcs.) HNBR	9614059426	9614059429	9614059432	9614059435
		O-ring, set (10 pcs.) FPM	9614059427	9614059430	9614059433	9614059436
24	1	Bushing	9613125002	9613125002	9613125002	9613125002
25	♦	1 Lip seal, EPDM (standard)				
	1	Lip seal, HNBR				
	1	Lip seal, FPM				
		Lip seal, set (10 pcs.) EPDM	9614059419	9614059419	9614059419	9614059419
		Lip seal, set (10 pcs.) HNBR	9614059420	9614059420	9614059420	9614059420
		Lip seal, set (10 pcs.) FPM	9614059421	9614059421	9614059421	9614059421
Seat						
28	1	Seat	9613127503	9613127504	9613127505	9613127506
Valve Body						
26	1	Valve body, upper 1 ports, clamp	9613161505	9613161507	9613161509	9613161511
	1	Valve body, upper 2 ports, clamp	9613161506	9613161508	9613161510	9613161512
	1	Valve body, upper 1 ports, welding ends	9613139317	9613139319	9613139321	9613139323
	1	Valve body, upper 2 ports, welding ends	9613139318	9613139320	9613139322	9613139324
Tank flange						
40	1	Tank flange	9634069901	9634070001	9634070101	9634070201
Valve Plug						
36	1	Plug, shut off RA, complete	9613160803	9613160804	9613160805	9613160806
36.1	1	Plug, shut off RA,	9613160702	9613160703	9613160704	9613160705
		Plug seal, set (10 pcs.) PTFE	9614059450	9614059451	9614059452	9614059453
			2"	2 1/2"	3"	4"
•		Service kit, actuator	9611926500	9611926500	9611926500	9611926500
♦		Service kit, EPDM	9611926713	9611926714	9611926715	9611926716
♦		Service kit, HNBR	9611926717	9611926718	9611926719	9611926720
♦		Service kit, FPM	9611926721	9611926722	9611926723	9611926724

Parts marked with ♦♦ are included in the service kits (actuator)
 Parts marked with ♦♦♦ are included in the service kits (product wetted parts)

TD 900-401/3

Elastomer plug seal - Tank Outlet Valve

If the actuator is marked with a danger warning do **NOT** attempt to cut the actuator open.



Do **NOT** attempt to disassemble the actuator due to spring under load danger.

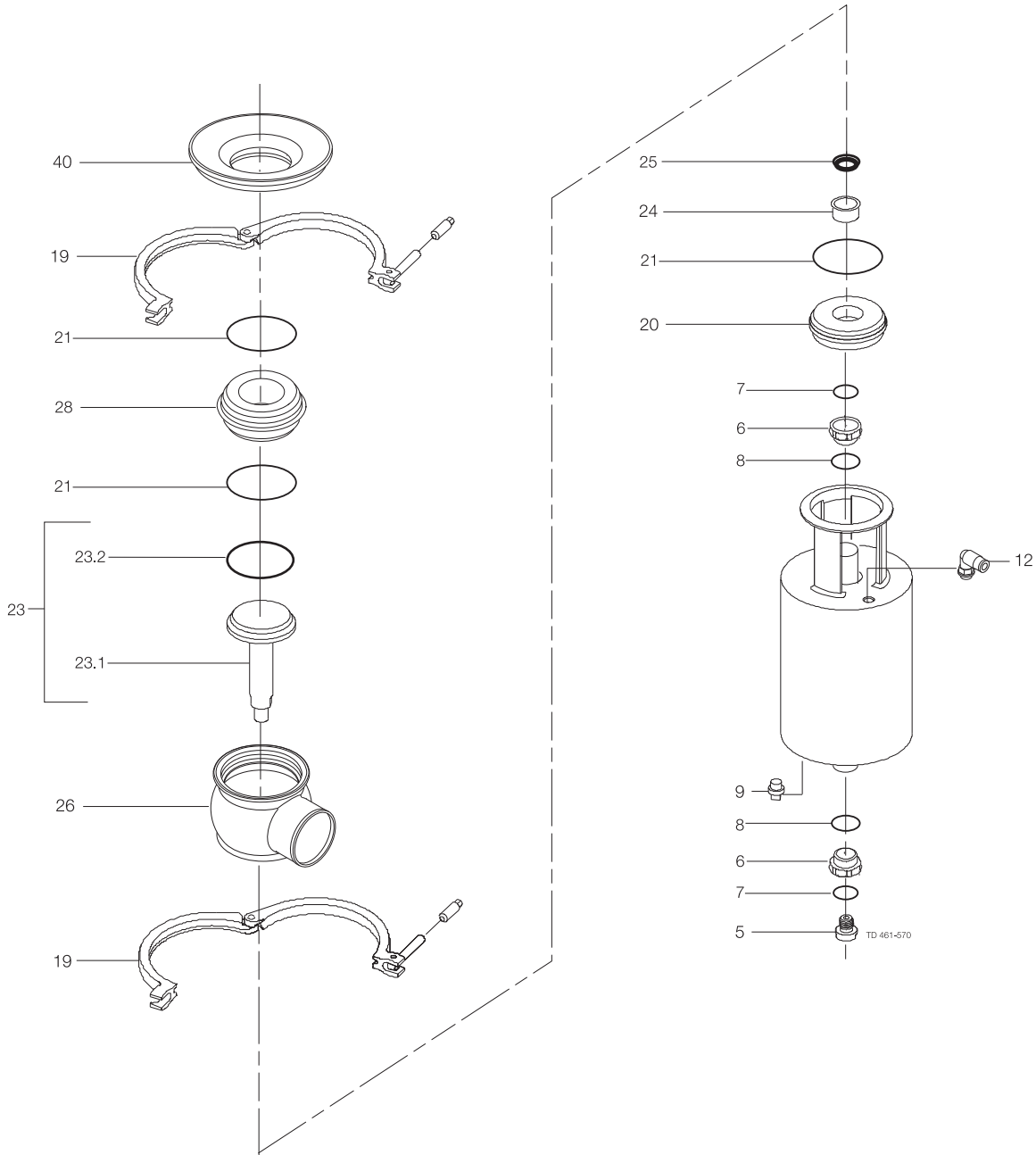


Do **NOT** attempt to cut the actuator open, due to spring under load danger.

AND



Do **NOT** attempt to cut the actuator open, due to spring under load danger.



Elastomer plug seal - Tank Outlet Valve

Pos	Qty	Denomination	2"	2 ½"	3"	4"
		Actuator, complete (NO)	9613154832	9613154833	9613154834	9613154835
		Actuator, complete (NC)	9613163137	9613154838	9613154839	9613163140
		Actuator, complete (A/A)	9613163142	9613163143	9613163144	9613163145
5	1	Adapter, plastic (- 0115)				
	1	Adapter, steel (0115 - 0518)				
	1	Adapter, steel (0518 -)	9615374701	9615374701	9615374701	9615374701
6	•	2 Bushing				
7	•	2 O-ring				
8	•	2 O-ring				
9	1	1 Plug	9613414101	9613414101	9613414101	9613414101
12	1(2)	Air fitting	9611994682	9611994682	9611994682	9611994682
Clamp						
19	2	Clamp	9612939323	9612939324	9612939325	9612939326
Bonnet						
20	1	Bonnet	9613127103	9613127104	9613127105	9613127106
21	♦	3 O-ring, EPDM (stadard)				
	3	O-ring, NBR				
	3	O-ring, FPM				
		O-ring, set (10 pcs.) EPDM	9614059425	9614059428	9614059431	9614059434
		O-ring, set (10 pcs.) HNBR	9614059426	96140594289	9614059432	9614059435
		O-ring, set (10 pcs.) FPM	9614059427	9614059430	9614059433	9614059436
24	1	Bushing	9613125002	9613125002	9613125002	9613125002
25	♦	1 Lip seal, EPDM (standard)				
	1	Lip seal, NBR				
	1	Lip seal, FPM				
		Lip seal, set (10 pcs.) EPDM	9614059419	9614059419	9614059419	9614059419
		Lip seal, set (10 pcs.) HNBR	9614059420	9614059420	9614059420	9614059420
		Lip seal, set (10 pcs.) FPM	9614059421	9614059421	9614059421	9614059421
Seat						
28	1	Seal	9613127503	9613127504	9613127505	9613127506
Valve Body						
26	1	Valve body, upper, 1 ports, clamp	9613161505	9613161507	9613161509	9613161511
	1	Valve body, upper, 2 ports, clamp	9613161506	9613161508	9613161510	9613161512
	1	Valve body, upper, 1 ports, welding ends	9613139317	9613139319	9613139321	9613139323
	1	Valve body, upper, 2 ports, welding ends	9613139318	9613139320	9613139322	9613139324
Tank flange						
40	1	Tank flange	9634069901	9634069901	9634069901	9634069901
Valve plug						
23	1	Plug, shut-off, complete, EDPM (standard)	9613138803	9613138804	9613138805	9613138806
	1	Plug, shut-off, complete, HNBR	9613138815	9613138816	9613138817	9613138818
	1	Plug, shut-off, complete, FPM	9613138827	9613138828	9613138829	9613138830
23.1	1	Plug, shut-off	9613139803	9613139804	9613139805	9613139806
23.2♦	1	Plug seal, EPDM (standard)				
	1	Plug seal, HNBR				
	1	Plug seal, FPM				
		Plug seal, set , (10 pcs.) EPDM	9614059407	9614059410	9614059413	9614059416
		Plug seal, set , (10 pcs.) HNBR	9614059408	9614059411	9614059414	9614059417
		Plug seal, set , (10 pcs.) FPM	9614059409	9614059412	9614059415	9614059418
			2"	2 ½"	3"	4"
•		Service kit, actuator	9611926500	9611926500	9611926500	9611926500
♦		Service kit, EPDM	9611926701	9611926702	9611926703	9611926704
♦		Service kit, HNBR	9611926705	9611926706	9611926707	9611926708
♦		Service kit, FPM	9611926709	9611926710	9611926711	9611926712

Parts marked with ♦♦ are included in the service kits (actuator)

Parts marked with ♦♦♦ are included in the service kits (product wetted parts)

TD900397/2



Elastomer plug seal - Reverse Acting - Tank Outlet Valve

If the actuator is marked with a danger warning do **NOT** attempt to cut the actuator open.



Do **NOT** attempt to disassemble the actuator due to spring under load danger.

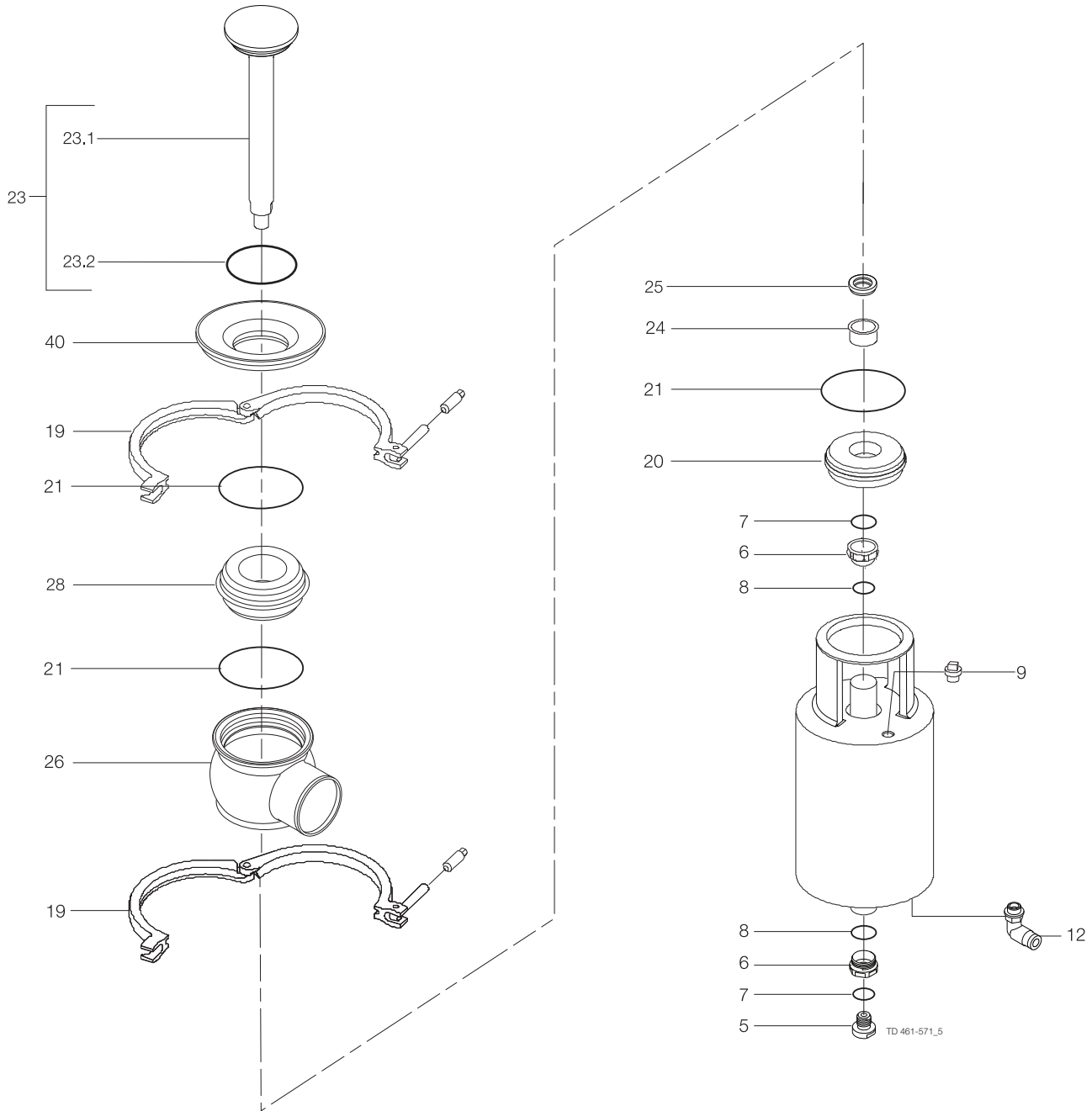


Do **NOT** attempt to cut the actuator open, due to spring under load danger.

AND



Do **NOT** attempt to cut the actuator open, due to spring under load danger.



Elastomer plug seal - Reverse Acting - Tank Outlet Valve

Pos	Qty	Denomination	2"	2 1/2"	3"	4"
Actuator						
		Actuator, complete (NO-RA)	9613154807	9613154808	9613154809	9613154810
		Actuator, complete (NC-RA)	9613154802	9613154803	9613154804	9613154805
		Actuator, complete (A/A)	9613154812	9613154813	9613154814	9613154815
5	1	Adapter, plastic (- 0115)				
	1	Adapter, steel (0115 - 0518)				
	1	Adapter, steel (0518 -)	9615374701	9615374701	9615374701	9615374701
6	□	Bushing				
7	□	O-ring				
8	□	O-ring				
9	1	Plug	9613414101	9613414101	9613414101	9613414101
12	1(2)	Air fitting	9611991988	9611991988	9611991988	9611991988
Clamp						
19	2	Clamp	9612939304	9612939305	9612939306	9612939307
Bonnet						
20	1	Bonnet	9613127103	9613127104	9613127105	9613127106
21	♦	3 O-ring, EPDM (standard)				
		3 O-ring, HNBR				
		3 O-ring, FPM				
		O-ring set, (10 pcs.) EPDM	9614059425	9614059428	9614059431	9614059434
		O-ring set, (10 pcs.) HNBR	9614059426	9614059429	9614059432	9614059435
		O-ring set, (10 pcs.) FPM	9614059427	9614059430	9614059433	9614059436
24	1	Bushing	9613125002	9613125002	9613125002	9613125002
25	♦	1 Lip seal, EPDM (standard)				
		1 Lip seal, HNBR				
		1 Lip seal, FPM				
		Lip seal set, (10 pcs.) EPDM	9614059419	9614059419	9614059419	9614059419
		Lip seal set, (10 pcs.) HNBR	9614059420	9614059420	9614059420	9614059420
		Lip seal set, (10 pcs.) FPM	9614059421	9614059421	9614059421	9614059421
Seat						
28	1	Seat	9613127503	9613127504	9613127505	9613127506
Valve Body						
26	1	Valve body, upper, 1 port ISO	9613139305	9613139307	9613139309	9613139311
	1	Valve body, upper, 2 ports ISO	9613139306	9613139308	9613139310	9613139312
	1	Valve body, upper, 1 port DIN	9613139405	9613139407	9613139409	9613139411
	1	Valve body, upper, 2 ports DIN	9613139406	9613139408	9613139410	9613139412
Tank flange						
40	1	Tank flange	9634069901	9634070001	9634070101	9634070201
Valve Plug						
23	1	Plug, shut-off RA, ISO, complete, EPDM (standard)	9613127603	9613127604	9613127605	9613127606
	1	Plug, shut-off RA, ISO, complete, HNBR	9613127615	9613127616	9613127617	9613127618
	1	Plug, shut-off RA, ISO, complete, FPM	9613127627	9613127628	9613127629	9613127630
	1	Plug, shut-off RA, DIN, complete, EPDM (standard)	9613127609	9613127610	9613127611	9613127612
	1	Plug, shut-off RA, DIN, complete, HNBR	9613127621	9613127622	9613127623	9613127624
	1	Plug, shut-off RA, DIN, complete, FPM	9613127633	9613127634	9613127635	9613127636
23.1	1	Plug, shut-off RA, ISO	9613139903	9613139904	9613139905	9613139906
	1	Plug, shut-off RA, DIN	9613139909	9613139910	9613139911	9613139912
23.2♦	1	Plug seal, EPDM (standard)				
	1	Plug seal, HNBR				
	1	Plug seal, FPM				
		Plug seal set, (10 pcs.) EPDM	9614059407	9614059410	9614059413	9614059416
		Plug seal set, (10 pcs.) HNBR	9614059408	9614059411	9614059414	9614059417
		Plug seal set, (10 pcs.) FPM	9614059409	9614059412	9614059415	9614059418
			2"	2 1/2"	3"	4"
Service kit for Elastomer and TR2						
□		Service kit	9611926500	9611926500	9611926500	9611926500
Service kit for Product wetted parts (standard)						
♦		Service kit, EPDM	9611926701	9611926702	9611926703	9611926704
♦		Service kit, HNBR	9611926705	9611926706	9611926707	9611926708
♦		Service kit, FPM	9611926709	9611926710	9611926711	9611926712
Service kit for Product wetted parts (standard)						
♦		Service kit, EPDM	9611926713	9611926714	9611926715	9611926716
♦		Service kit, HNBR	9611926717	9611926718	9611926719	9611926720
♦		Service kit, FPM	9611926721	9611926722	9611926723	9611926724

Parts marked with ♦ are included in the service kits.



Elastomer plug seal - Reverse Acting - Tank Outlet Valve

2"

2 1/2"

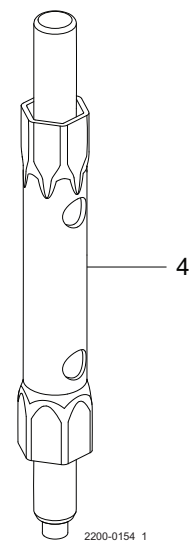
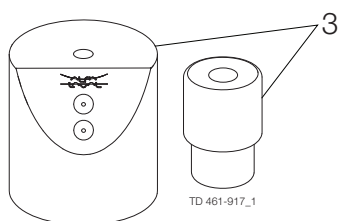
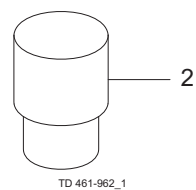
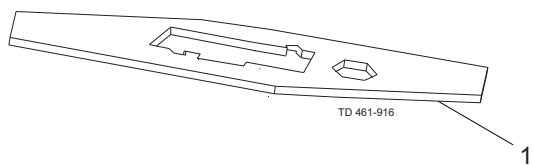
3"

4"

Recommended spare parts: Service kits.







Mounting Tool - Unique SSV - Tank Outlet Valve

Pos	Qty	Denomination	1" - 2 1/2"	3" - 4"
1	1	Service tool for Maintainable actuator	3135302191	9612454001

TD 900-512/2

Pos	Qty	Denomination	2" - 4"	2 1/2"	3"	4"
2	1	Tool for bushing (pos. 24)	9613160901	9613160901	9613160901	9613160901

Pos	Qty	Denomination	1"	1 1/2"	2"	2 1/2"	3"	4"
3	1	Mounting tool for elastomer plug seals	Not available	9613172901	9613172902	9613172902	9613172903	9613172903

TD 900-522/2

Pos	Qty	Denomination	1" - 4"
4	1	Tool for actuator bushing (pos. 6)	9614198401

TD900-701

How to contact Alfa Laval

Contact details for all countries are continually updated on our website.

Please visit www.alfalaval.com to access the information directly.

© Alfa Laval Corporate AB

This document and its contents is owned by Alfa Laval Corporate AB and protected by laws governing intellectual property and thereto related rights. It is the responsibility of the user of this document to comply with all applicable intellectual property laws. Without limiting any rights related to this document, no part of this document may be copied, reproduced or transmitted in any form or by any means (electronic, mechanical, photocopying, recording, or otherwise), or for any purpose, without the expressed permission of Alfa Laval Corporate AB. Alfa Laval Corporate AB will enforce its rights related to this document to the fullest extent of the law, including the seeking of criminal prosecution.



CSI

CONTACT CSI FOR MORE INFORMATION | CSIDESIGNS.COM | SALES@CSIDESIGNS.COM | 417.831.1411