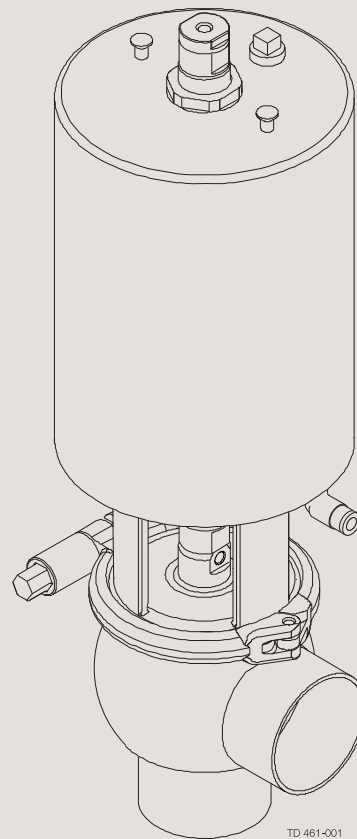
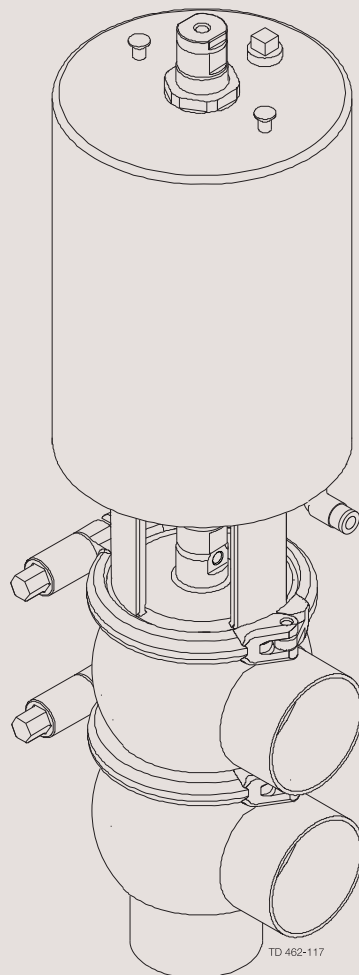


Spare Parts

Unique SSV - Standard





CSI

CONTACT CSI FOR MORE INFORMATION | CSIDESIGNS.COM | SALES@CSIDESIGNS.COM | 417.831.1411

The information herein is correct at the time of issue but may be subject to change without prior notice

- 1. Important information 4
- 2. Shut-off valve - TR2 6
- 3. Change-over valve - TR2 8
- 4. Shut-off valve - elastomer plug seal 10
- 5. Change-over valve - elastomer plug seal 12
- 6. Shut-off valve - 4" XL stroke - elastomer plug seal 14
- 7. Shut-off valve - 4" XL stroke - TR2 16
- 8. Mounting tools 18



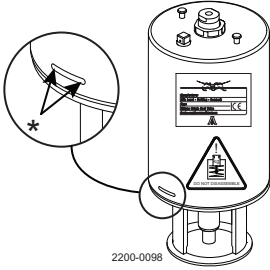
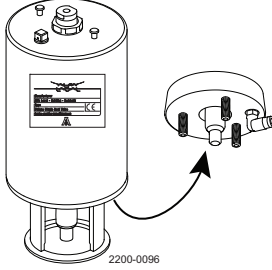

1 Important information

Different actuator types for the SSV valve

In June 2016 the below change was implemented and the “removable yoke with bolts” version is thereby phased out and replaced by the “yoke without bolts” version.

NOTE

It is important to check for warnings marked on the actuator when servicing an actuator - see below table.

<p>Actuator type</p>	<p>Non-maintainable actuator Spring under load and CANNOT be opened</p>  <p>*) Lock wire opening is locked when warning is marked on actuator</p>	<p>Fully maintainable actuator Spring cage and can be opened</p> 	<p>Fully maintainable actuator Spring cage and can be opened</p> 
<p>Yoke type</p>	<p>Non-removable yoke</p>	<p>“Removable yoke with bolts”. If the yoke with bolts is damaged it has to be replaced by the “yoke without bolts”</p>	<p>“Yoke without bolts”</p>
<p>Service</p>	<p>Not possible to service internally (it is not possible to change piston O-rings)</p>	<p>Yes</p>	<p>Yes</p>
<p>Marked with warnings</p>	<p>Yes</p>	<p>No</p>	<p>No</p>
<p>Year of production</p>	<p>From 2006</p>	<p>From 2006 to June 2016</p>	<p>From June 2016</p>



CSI

CONTACT CSI FOR MORE INFORMATION | CSIDESIGNS.COM | SALES@CSIDESIGNS.COM | 417.831.1411

Shut-off valve - TR2

If the actuator is marked with a danger warning do **NOT** attempt to cut the actuator open.



Do **NOT** attempt to disassemble the actuator due to spring under load danger.

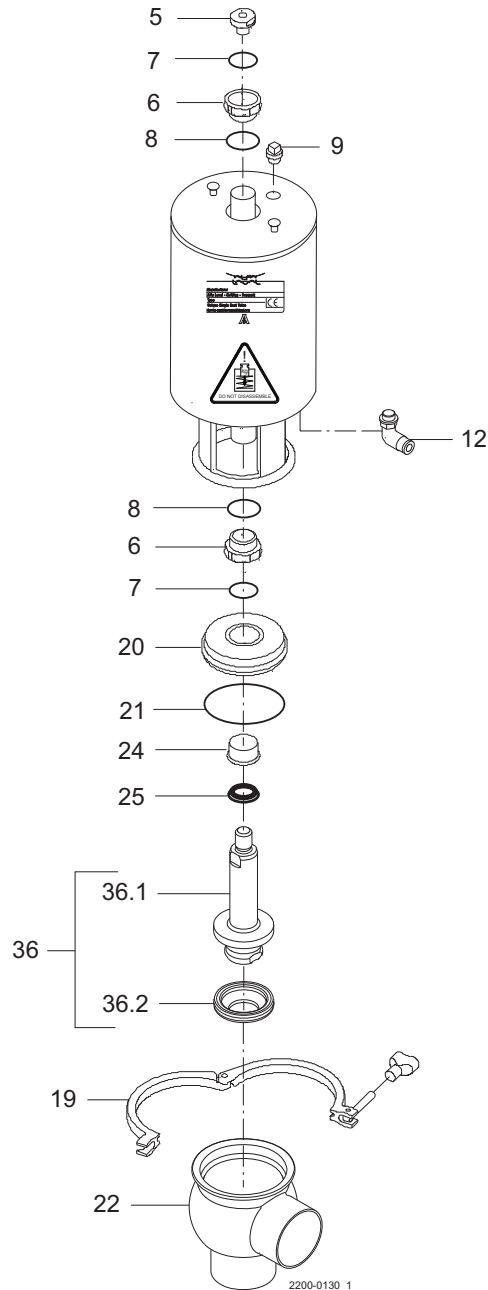


Do **NOT** attempt to cut the actuator open, due to spring under load danger.

AND



Do **NOT** attempt to cut the actuator open, due to spring under load danger.



Shut-off valve - TR2

Pos	Qty	Denomination	1"	1½"	2"	2½"	3"	4"
Actuator								
		Actuator, complete (NO)	9613154831	9613154831	9613154832	9613154833	9613154834	9613154835
		Actuator, complete (NC)	9613154836	9613154836	9613163137	9613154838	9613154839	9613163140
		Actuator, complete (AA)	9613163141	9613163141	9613163142	9613163143	9613163144	9613163145
5	1	Adapter, plastic (- 0115)						
	1	Adapter, steel (0115 - 0518)						
	1	Adapter, steel (0518 -)	9615374701	9615374701	9615374701	9615374701	9615374701	9615374701
6	□ 2	Bushing						
7	□ 2	O-ring						
8	□ 2	O-ring						
9	1	Plug	9613414101	9613414101	9613414101	9613414101	9613414101	9613414101
12	1(2)	Air fitting	9611994682	9611994682	9611994682	9611994682	9611994682	9611994682
Clamp								
19	1	Clamp	9612939316	9612939316	9612939317	9612939318	9612939319	9612939320
Bonnet								
20	1	Bonnet	9613127102	9613127102	9613127103	9613127104	9613127105	9613127106
21	◆ 1	O-ring, EPDM (standard)						
	◆ 1	O-ring, HNBR						
	◆ 1	O-ring, FPM						
		O-ring, set (10 pcs.) EPDM	9614059422	9614059422	9614059425	9614059428	9614059431	9614059434
		O-ring, set (10 pcs.) HNBR	9614059423	9614059423	9614059426	9614059429	9614059432	9614059435
		O-ring, set (10 pcs.) FPM	9614059424	9614059424	9614059427	9614059430	9614059433	9614059436
24	1	Bushing	9613125002	9613125002	9613125002	9613125002	9613125002	9613125002
25	◆ 1	Lip seal, EPDM (standard)						
	◆ 1	Lip seal, HNBR						
	◆ 1	Lip seal, FPM						
	1	Lip seal, set (10 pcs.) EPDM	9614059419	9614059419	9614059419	9614059419	9614059419	9614059419
	1	Lip seal, set (10 pcs.) HNBR	9614059420	9614059420	9614059420	9614059420	9614059420	9614059420
	1	Lip seal, set (10 pcs.) FPM	9614059421	9614059421	9614059421	9614059421	9614059421	9614059421
Valve body								
22	1	Valve body, lower, 2 ports, clamp	9613161601	9613161603	9613161605	9613161607	9613161609	9613161611
	1	Valve body, lower, 3 ports, clamp	9613161602	9613161604	9613161606	9613161608	9613161610	9613161612
	1	Valve body, lower, 2 ports, welding ends	9613139513	9613139515	9613139517	9613139519	9613139521	9613139523
	1	Valve body, lower, 3 ports, welding ends	9613139514	9613139516	9613139518	9613139520	9613139522	9613139524
Valve Plug								
36	1	Plug, complete	9613155801	9613155802	9613155803	9613155804	9613155805	9613155806
36.1	1	Plug	9613147301	9613151101	9613151102	9613151103	9613151104	9613151105
36.2	◆ 1	Plug seal, PTFE						
	1	Plug seal set, (10 pcs.) PTFE	9614059448	9614059449	9614059450	9614059451	9614059452	9614059453
Service kits								
			1"	1½"	2"	2½"	3"	4"
□		Service kit, actuator	9611926500	9611926500	9611926500	9611926500	9611926500	9611926500
◆		Service kit, EPDM	9611926576	9611926561	9611926562	9611926563	9611926564	9611926565
◆		Service kit, HNBR	9611926577	9611926566	9611926567	9611926568	9611926569	9611926570
◆		Service kit, FPM	9611926578	9611926571	9611926572	9611926573	9611926574	9611926575

Recommended spare parts; Service kits.

Parts marked with □ are included in the service kits (actuator).

Parts marked with ◆ are included in the service kits (product wetted parts).

TD 900342/2



Change-over valve - TR2

If the actuator is marked with a danger warning do **NOT** attempt to cut the actuator open.



Do **NOT** attempt to disassemble the actuator due to spring under load danger.

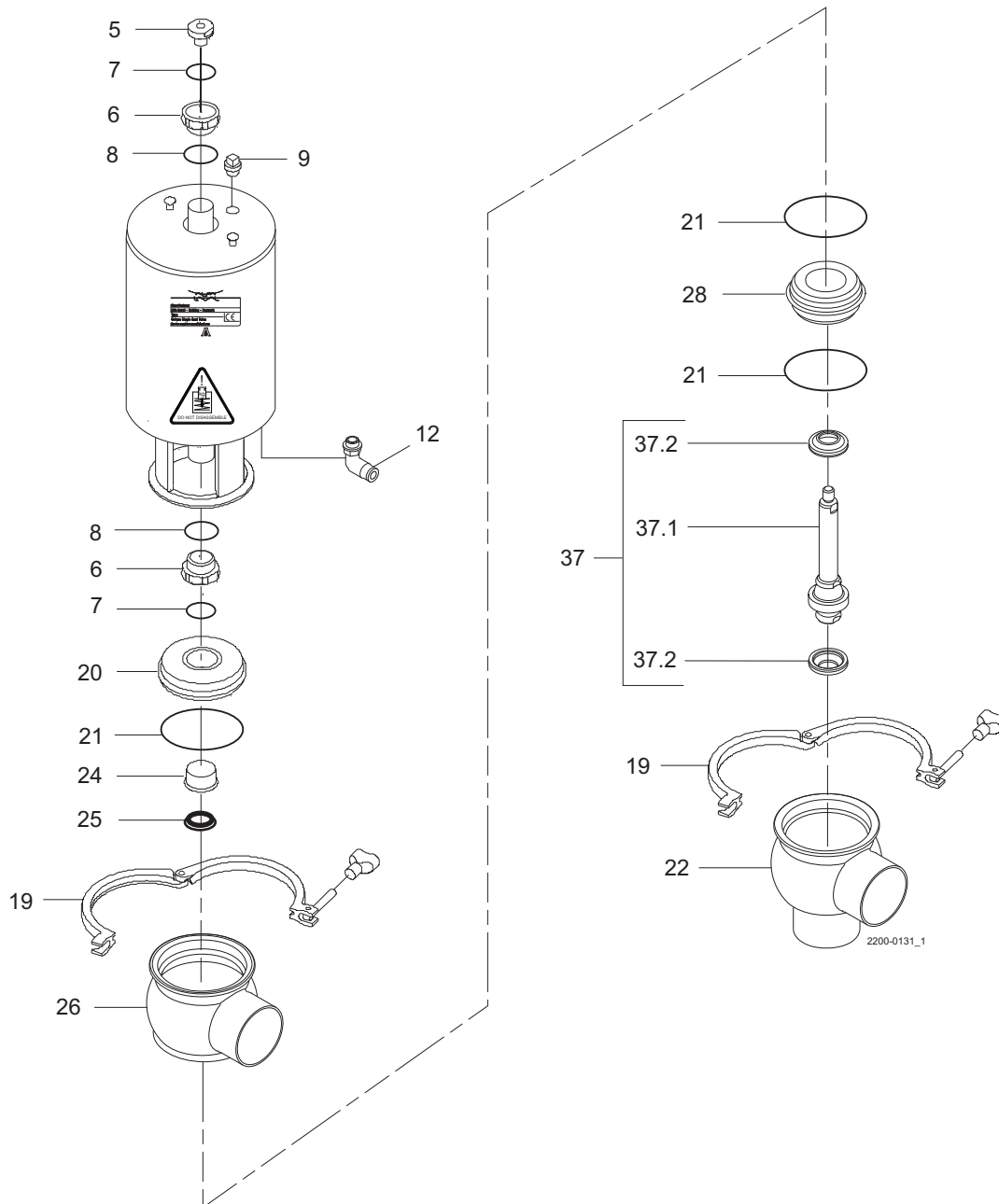


Do **NOT** attempt to cut the actuator open, due to spring under load danger.

AND



Do **NOT** attempt to cut the actuator open, due to spring under load danger.



Change-over valve - TR2

Pos	Qty	Denomination	1½"	2"	2½"	3"	4"
Actuator							
		Actuator, complete (NO)	9613154831	9613154832	9613154833	9613154834	9613154835
		Actuator, complete (NC)	9613154836	9613163137	9613154838	9613154839	9613163140
5	1	Adapter, plastic (- 0115)					
	1	Adapter, steel (0115 - 0518)					
	1	Adapter, steel (0518 -)	9615374701	9615374701	9615374701	9615374701	9615374701
6	□ 2	Bushing					
7	□ 2	O-ring					
8	□ 2	O-ring					
9	1	Plug	9613414101	9613414101	9613414101	9613414101	9613414101
12	1(2)	Air fitting	9611994682	9611994682	9611994682	9611994682	9611994682
Clamp							
19	2	Clamp	9612939316	9612939317	9612939318	9612939319	9612939320
Bonnet							
20	1	Bonnet	9613127102	9613127103	9613127104	9613127105	9613127106
21	◆ 3	O-ring, EPDM, (standard)					
	◆ 3	O-ring, HNBR					
	◆ 3	O-ring, FPM					
		O-ring, set (10 pcs.) EPDM	9614059422	9614059425	9614059428	9614059431	9614059434
		O-ring, set (10 pcs.) HNBR	9614059423	9614059426	9614059429	9614059432	9614059435
		O-ring, set (10 pcs.) FPM,	9614059424	9614059427	9614059430	9614059433	9614059436
24	1	Bushing	9613125002	9613125002	9613125002	9613125002	9613125002
25	◆ 1	Lip seal, EPDM (standard)					
	◆ 1	Lip seal, HNBR					
	◆ 1	Lip seal, FPM					
Seat							
28	1	9613127502	9613127503	9613127504	9613127505	9613127506
Valve body							
26	1	Valve body, upper, 1 port, clamp	9613161503	9613161505	9613161507	9613161509	9613161511
	1	Valve body, upper, 2 ports, clamp	9613161503	9613161506	9613161508	9613161510	9613161512
	1	Valve body, upper, 1 port, welding ends	9613139315	9613139317	9613139319	9613139321	9613139323
	1	Valve body, lower, 2 ports, welding ends	9613139316	9613139318	9613139320	9613139322	9613139324
22	1	Valve body, lower, 2 ports, clamp	9613161603	9613161605	9613161607	9613161609	9613161611
	1	Valve body, lower, 3 ports, clamp	9613161604	9613161606	9613161608	9613161610	9613161612
	1	Valve body, lower, 2 ports, welding ends	9613139515	9613139517	9613139519	9613139521	9613139523
	1	Valve body, lower, 3 ports, welding ends	9613139516	9613139518	9613139520	9613139522	9613139524
Valve Plug							
37	1	Plug, complete	9613155502	9613155503	9613155504	9613155505	9613155506
37.1	1	Plug	9613155401	9613155402	9613155403	9613155404	9613155405
37.2◆	2	Plug seal , PTFE					
	2	Plug seal, set (10 pcs.) PTFE TR-2	9614059449	9614059450	9614059451	9614059452	9614059453
Service kits							
			1½"	2"	2½"	3"	4"
□		Service kit, actuator	9611926500	9611926500	9611926500	9611926500	9611926500
◆		Service Kit, EPDM	9611926633	9611926634	9611926635	9611926636	9611926637
◆		Service kit, HNBR	9611926638	9611926639	9611926640	9611926641	9611926642
◆		Service kit, FPM	9611926643	9611926644	9611926645	9611926646	9611926647

Recommended spare parts; Service kits.

Parts marked with □ are included in the service kits (actuator).

Parts marked with ◆ are included in the service kits (product wetted parts).

TD 900342/2



Shut-off valve - elastomer plug seal

If the actuator is marked with a danger warning do **NOT** attempt to cut the actuator open.



Do **NOT** attempt to disassemble the actuator due to spring under load danger.

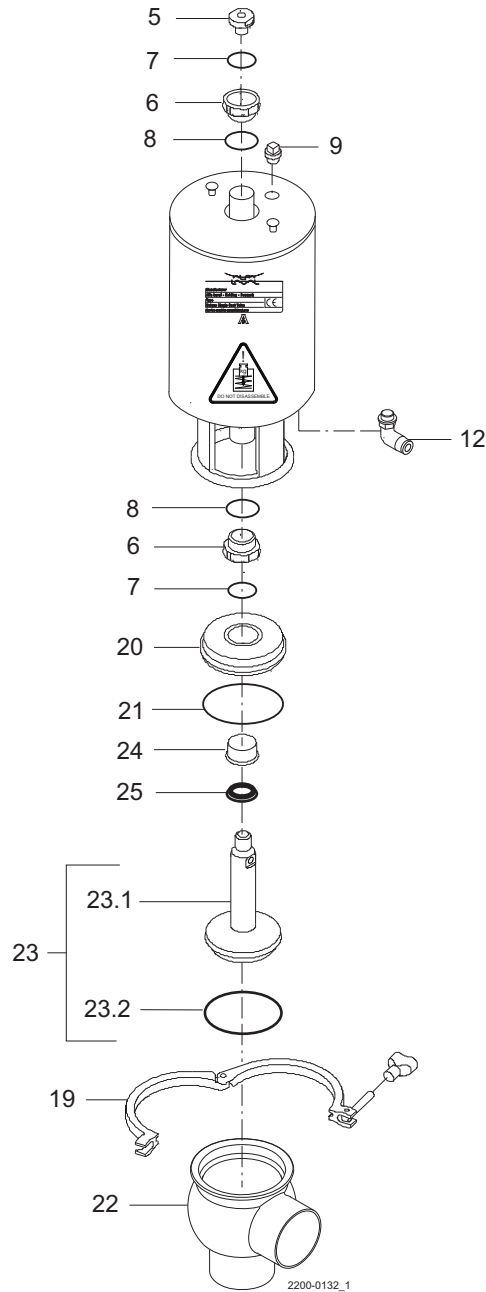


Do **NOT** attempt to cut the actuator open, due to spring under load danger.

AND



Do **NOT** attempt to cut the actuator open, due to spring under load danger.



Shut-off valve - elastomer plug seal

Pos	Qty	Denomination	1"	1½"	2"	2½"	3"	4"
Actuator								
		Actuator, complete (NO)	9613154831	9613154831	9613154832	9613154833	9613154834	9613154835
		Actuator, complete (NC)	9613154836	9613154836	9613163137	9613154838	9613154839	9613163140
		Actuator, complete (AA)	9613163141	9613163141	9613163142	9613163143	9613163144	9613163145
5	1	Adapter, steel (0115 ->)	9614065301	9614065301	9614065301	9614065301	9614065301	9614065301
	1	Adapter, plastic (-> 0115)						
6	□	2 Bushing						
7	□	2 O-ring						
8	□	2 O-ring						
9	1	Plug	9613414101	9613414101	9613414101	9613414101	9613414101	9613414101
12	1(2)	Air fitting	9611994682	9611994682	9611994682	9611994682	9611994682	9611994682
Clamp								
19	1	Clamp	9612939316	9612939316	9612939317	9612939318	9612939319	9612939320
Bonnet								
20	1	Bonnet	9613127102	9613127102	9613127103	9613127104	9613127105	9613127106
21	◆	1 O-ring, EPDM (standard)						
	◆	1 O-ring, HNBR						
	◆	1 O-ring, FPM						
		O-ring, set (10 pcs.) EPDM	9614059422	9614059422	9614059425	9614059428	9614059431	9614059434
		O-ring, set (10 pcs.) HNBR	9614059423	9614059423	9614059426	9614059429	9614059432	9614059435
		O-ring, set (10 pcs.) FPM	9614059424	9614059424	9614059427	9614059430	9614059433	9614059436
24	1	Bushing	9613125002	9613125002	9613125002	9613125002	9613125002	9613125002
25	◆	1 Lip seal, EPDM (standard)						
	◆	1 Lip seal, HNBR						
	◆	1 Lip seal, FPM						
		Lip seal, set (10 pcs.) EPDM	9614059419	9614059419	9614059419	9614059419	9614059419	9614059419
		Lip seal, set (10 pcs.) HNBR	9614059420	9614059420	9614059420	9614059420	9614059420	9614059420
		Lip seal, set (10 pcs.) FPM	9614059421	9614059421	9614059421	9614059421	9614059421	9614059421
Valve body								
22	1	Valve body, lower, 2 ports, clamp	9613161601	9613161603	9613161605	9613161607	9613161609	9613161611
	1	Valve body, lower, 3 ports, clamp	9613161602	9613161604	9613161606	9613161608	9613161610	9613161612
	1	Valve body, lower, 2 ports, welding ends	9613139513	9613139515	9613139517	9613139519	9613139521	9613139523
	1	Valve body, lower, 3 ports, welding ends	9613139514	9613139516	9613139518	9613139520	9613139522	9613139524
Valve Plug								
23	1	Plug, complete, EPDM (standard)	9613138801	9613138802	9613138803	9613138804	9613138805	9613138806
	1	Plug, complete, HNBR	9613138813	9613138814	9613138815	9613138816	9613138817	9613138818
	1	Plug, complete, FPM	9613138825	9613138826	9613138827	9613138828	9613138829	9613138830
23.1	1	Plug	9613149601	9613149602	9613149603	9613149604	9613149605	9613149606
23.2	◆	1 Plug seal, EPDM (standard)						
	◆	1 Plug seal, HNBR						
	◆	1 Plug seal, FPM						
		Plug seal, set (10 pcs.) EPDM	9614059401	9614059404	9614059407	9614059410	9614059413	9614059416
		Plug seal, set (10 pcs.) HNBR	9614059402	9614059405	9614059408	9614059411	9614059414	9614059417
		Plug seal, set (10 pcs.) FPM	9614059403	9614059406	9614059409	9614059412	9614059415	9614059418
Service kits								
			1"	1½"	2"	2½"	3"	4"
□		Service kit, actuator	9611926500	9611926500	9611926500	9611926500	9611926500	9611926500
◆		Service kit, EPDM	9611926501	9611926502	9611926503	9611926504	9611926505	9611926506
◆		Service kit, HNBR	9611926507	9611926508	9611926509	9611926510	9611926511	9611926512
◆		Service kit, FPM	9611926513	9611926514	9611926515	9611926516	9611926517	9611926518

Recommended spare parts: Service kits.

Parts marked with □ are included in the service kits (actuator).

Parts marked with ◆ are included in the service kits (product wetted parts).

TD 900363/2



Change-over valve - elastomer plug seal

If the actuator is marked with a danger warning do **NOT** attempt to cut the actuator open.



Do **NOT** attempt to disassemble the actuator due to spring under load danger.

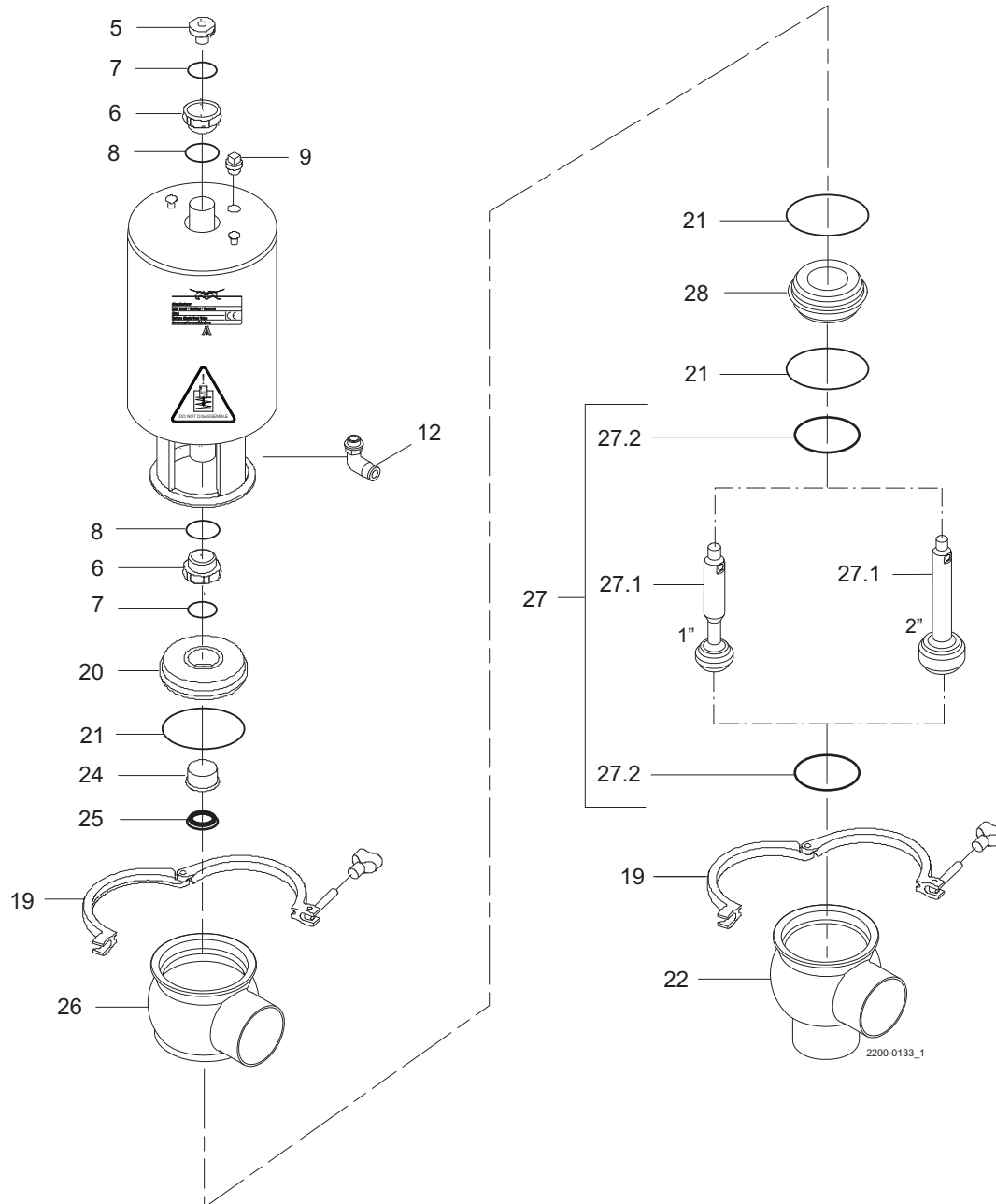


Do **NOT** attempt to cut the actuator open, due to spring under load danger.

AND



Do **NOT** attempt to cut the actuator open, due to spring under load danger.



Change-over valve - elastomer plug seal

Pos	Qty	Denomination	1"	1½"	2"	2½"	3"	4"
Actuator								
		Actuator, complete (NO)	9613154831	9613154831	9613154832	9613154833	9613154834	9613154835
		Actuator, complete (NC)	9613154836	9613154836	9613163137	9613154838	9613154839	9613163140
		Actuator, complete (AA)	9613163141	9613163141	9613163142	9613163143	9613163144	9613163145
5	1	Adapter, steel (2015 =>)	9614065301	9614065301	9614065301	9614065301	9614065301	9614065301
	1	Adapter, plastic (=> 2015)						
6	□	2 Bushing						
7	□	2 O-ring						
8	□	2 O-ring						
9	1	Plug	9613414101	9613414101	9613414101	9613414101	9613414101	9613414101
12	1(2)	Air fitting	9611994682	9611994682	9611994682	9611994682	9611994682	9611994682
Clamp								
19	2	Clamp	9612939316	9612939316	9612939317	9612939318	9612939319	9612939320
Bonnet								
20	1	Bonnet	9613127102	9613127102	9613127103	9613127104	9613127105	9613127106
21	◆	3 O-ring, EPDM (standard)						
	◆	3 O-ring, HNBR						
	◆	3 O-ring, FPM						
		O-ring, set (10 pcs.) EPDM	9614059422	9614059422	9614059425	9614059428	9614059431	9614059434
		O-ring, set (10 pcs.) HNBR	9614059423	9614059423	9614059426	9614059429	9614059432	9614059435
		O-ring, set (10 pcs.) FPM	9614059424	9614059424	9614059427	9614059430	9614059433	9614059436
24	1	Bushing	9613125002	9613125002	9613125002	9613125002	9613125002	9613125002
25	◆	1 Lip seal, EPDM (standard)						
	◆	1 Lip seal, HNBR						
	◆	1 Lip seal, FPM						
	0	Lip seal, set (10 pcs.) EPDM	9614059419	9614059419	9614059419	9614059419	9614059419	9614059419
	0	Lip seal, set (10 pcs.) HNBR	9614059420	9614059420	9614059420	9614059420	9614059420	9614059420
	0	Lip seal, set (10 pcs.) FPM	9614059421	9614059421	9614059421	9614059421	9614059421	9614059421
Seat								
28	1	Seat	9613127501	9613127502	9613127503	9613127504	9613127505	9613127506
Valve body								
26	1	Valve body, upper, 1 port, clamp ..	9613161501	9613161503	9613161505	9613161507	9613161509	9613161511
	1	Valve body, upper, 2 ports, clamp ..	9613161502	9613161504	9613161506	9613161508	9613161510	9613161512
	1	Valve body, upper, 1 port, welding ends	9613139313	9613139315	9613139317	9613139319	9613139321	9613139323
	1	Valve body, upper, 2 ports, welding ends	9613139314	9613139316	9613139318	9613139320	9613139322	9613139324
22	1	Valve body, lower, lower, 2 ports, clamp	9613161601	9613161603	9613161605	9613161607	9613161609	9613161611
	1	Valve body, lower, lower, 3 ports, clamp	9613161602	9613161604	9613161606	9613161608	9613161610	9613161612
	1	Valve body, lower, 2 ports, welding ends	9613139513	9613139515	9613139517	9613139519	9613139521	9613139523
	1	Valve body, lower, 3 ports, welding ends	9613139514	9613139516	9613139518	9613139520	9613139522	9613139524
Valve Plug								
27	1	Plug, ISO complete, EPDM (standard)	9613127701	9613127702	9613127703	9613127704	9613127705	9613127706
	1	Plug, ISO complete, HNBR	9613127713	9613127714	9613127715	9613127716	9613127717	9613127718
	1	Plug, ISO complete, FPM	9613127725	9613127726	9613127727	9613127728	9613127729	9613127730
27.1	1	Plug, ISO	9613149701	9613140002	9613140003	9613140004	9613140005	9613140006
27.2	◆	2 Plug seal, EPDM (standard)						
	◆	2 Plug seal, HNBR						
	◆	2 Plug seal, FPM						
		Plug seal, set (10 pcs.) EPDM ..	9614059401	9614059404	9614059407	9614059410	9614059413	9614059416
		Plug seal, set (10 pcs.) HNBR ...	9614059402	9614059405	9614059408	9614059411	9614059414	9614059417
		Plug seal, set (10 pcs.) FPM	9614059403	9614059406	9614059409	9614059412	9614059415	9614059418
			1"	1½"	2"	2½"	3"	4"
□		Service kit, actuator	9611926500	9611926500	9611926500	9611926500	9611926500	9611926500
◆		Service kit, EPDM	9611926579	9611926580	9611926581	9611926582	9611926583	9611926584
◆		Service kit, HNBR	9611926585	9611926586	9611926587	9611926588	9611926589	9611926590
◆		Service kit, FPM	9611926591	9611926592	9611926593	9611926594	9611926595	9611926596

Recommended spare parts; Service kits.

Parts marked with □ are included in the service kits (actuator).

Parts marked with ◆ are included in the service kits (product wetted parts).

TD 900363/2



Shut-off valve - 4" XL stroke - elastomer plug seal

If the actuator is marked with a danger warning do **NOT** attempt to cut the actuator open.

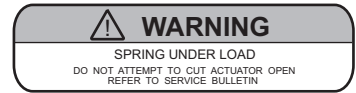


Do **NOT** attempt to disassemble the actuator due to spring under load danger.

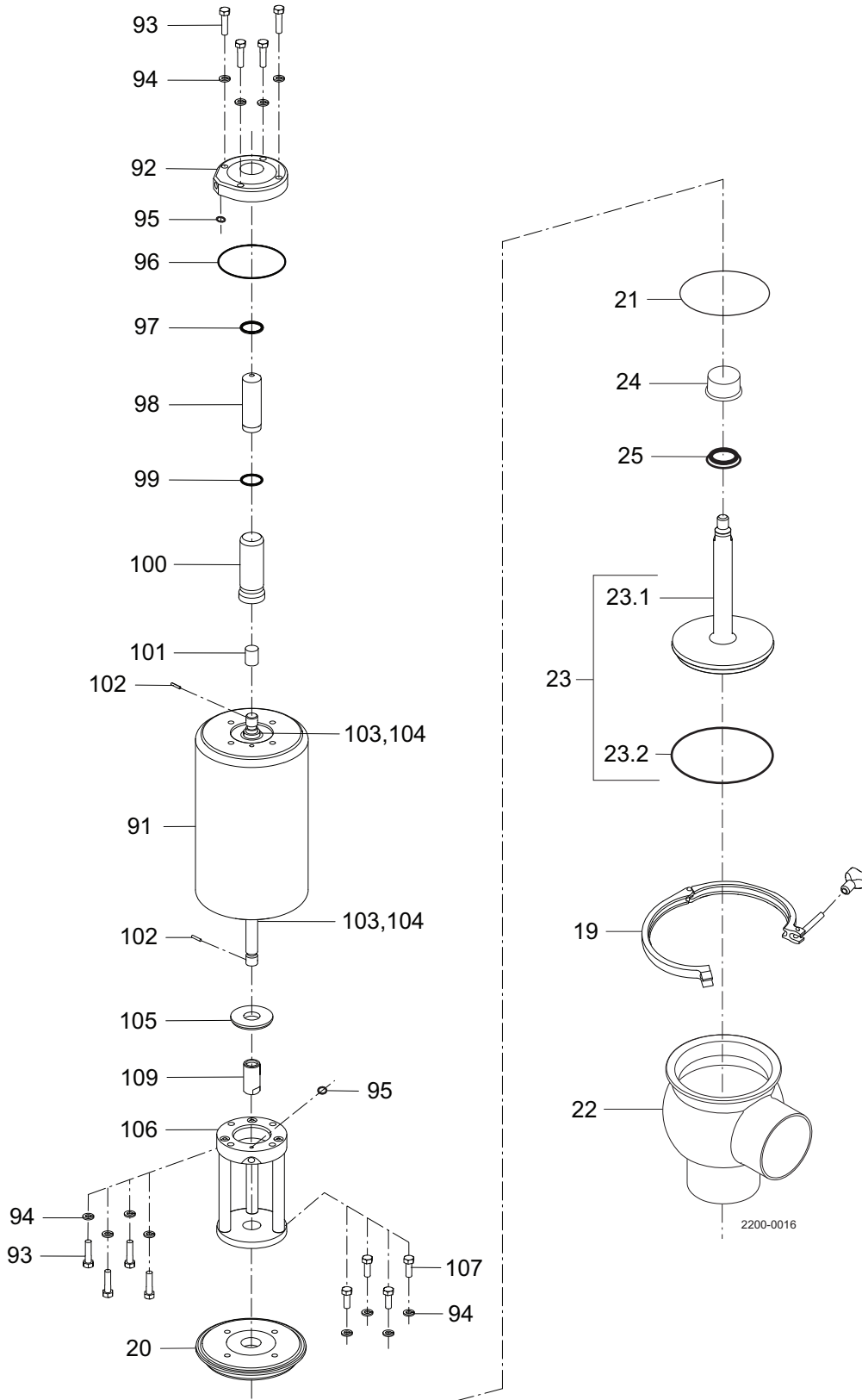


Do **NOT** attempt to cut the actuator open, due to spring under load danger.

AND



Do **NOT** attempt to cut the actuator open, due to spring under load danger.



Shut-off valve - 4" XL stroke - elastomer plug seal

Pos	Qty	Denomination	4"
		Actuator, cpl., (NC and NO)	9634087504
92	1	End cap	751010
93	8	Screw	189723
94	12	Lock washer	189962
95	□	O-ring	755388
96	□	O-ring	755472
97	□	O-ring	755356
98	1	Stem protector	751035
99	1	Stem protector, o-ring	750330
100	1	Stem protector, spacer	751019
101	1	Red cap	750568
102	□	Nylon lock pin	750338
103	□	Seal retainer	751680
104	□	Packing, o-ring	751232
105	1	Retainer, packing	751659
106	1	Yoke	751901
107	4	Screw	189798
108	1	Vent plug (not shown)	181256
109	1	Coupler, stem	9634090101

Clamp

19	1	Clamp	9612939320
----	---	-------------	------------

Bonnet

20	1	Bonnet	9634090001
21	◆	O-ring, EPDM (standard)	
	◆	O-ring, HNBR	
	◆	O-ring, FPM	
	1	O-ring, set (10 pcs.), EPDM	9614059434
	1	O-ring, set (10 pcs.), HNBR	9614059435
	1	O-ring, set (10 pcs.), FPM	9614059436
24	1	Bushing	9613125002
25	◆	Lip seal, EPDM (standard)	
	◆	Lip seal, HNBR	
	◆	Lip seal, FPM	
	1	Lip seal, set (10 pcs.), EPDM	9614059419
	1	Lip seal, set (10 pcs.), HNBR	9614059420
	1	Lip seal, set (10 pcs.), FPM	9614059421

Valve Body

22	1	Valve body, lower, 2 ports, clamp	9613161611
	1	Valve body, lower, 3 ports, clamp	9613161612
	1	Valve body, lower, 2 ports, welding ends	9313139523
	1	Valve body, lower, 3 ports, welding ends	9613139524

Valve Plug

23	1	Plug, shut off, complete, EPDM (standard)	9614206601
	1	Plug, shut off, complete, HNBR	9614206603
	1	Plug, shut off, complete, FPM	9614206605
23.1	1	Plug, shut off	9634090301
23.2	◆	Plug seal, EPDM (standard)	
	◆	Plug seal, HNBR	
	◆	Plug seal, FPM	
	1	Plug seal, set (10 pcs.), EPDM	9614059416
	1	Plug seal, set (10 pcs.), HNBR	9614059417
	1	Plug seal, set (10 pcs.), FPM	9614059418

Service kits

			4"
□		Service kit, actuator	9611926957
◆		Service kit, EPDM	9611926506
◆		Service kit, HNBR	9611926512
◆		Service kit, FPM	9611926518

Recommended spare parts: Service kits.

Parts marked with □◆ are included in the service kits

TD 900-642



Shut-off valve - 4" XL stroke - TR2

If the actuator is marked with a danger warning do **NOT** attempt to cut the actuator open.



Do **NOT** attempt to disassemble the actuator due to spring under load danger.

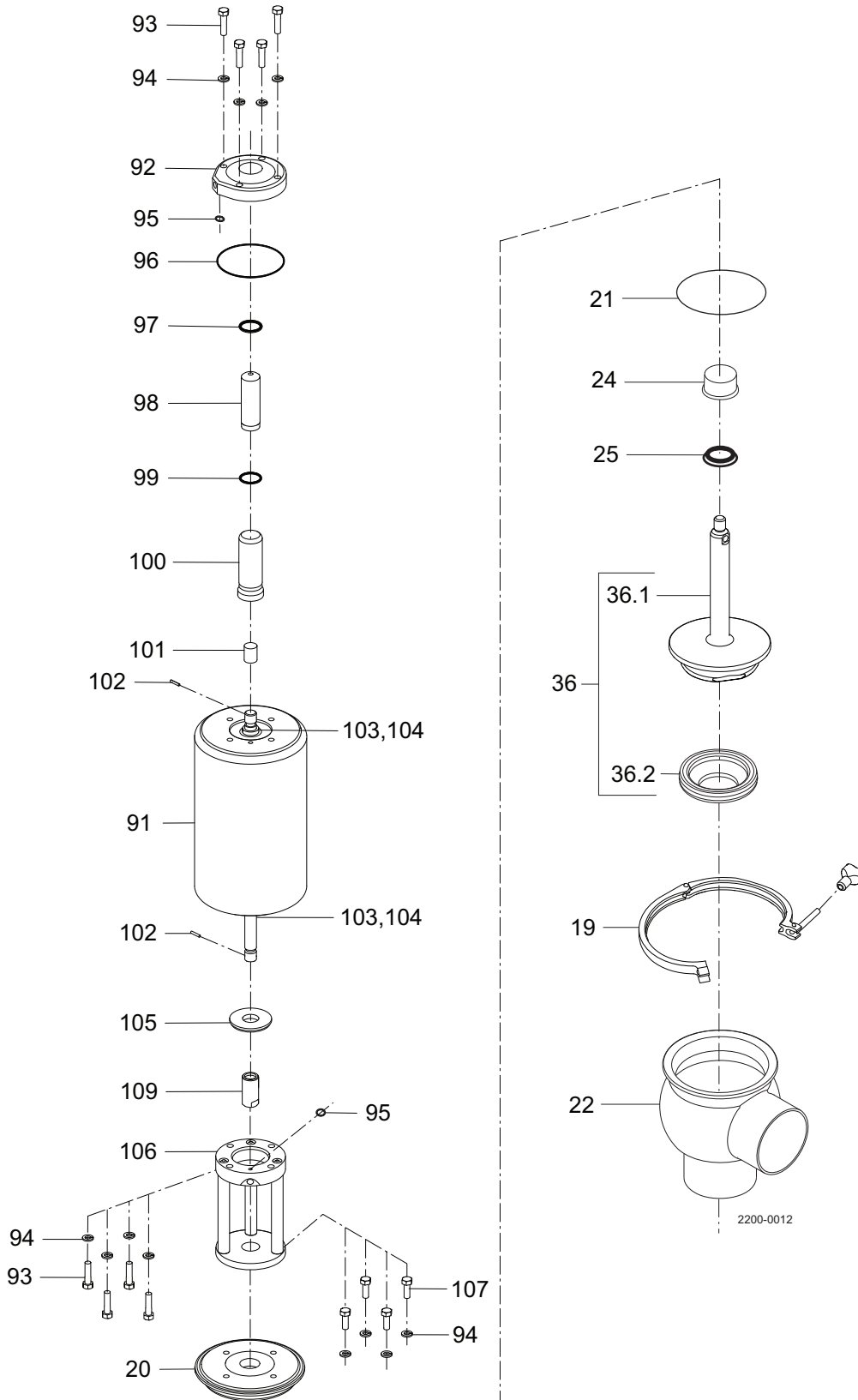


Do **NOT** attempt to cut the actuator open, due to spring under load danger.

AND



Do **NOT** attempt to cut the actuator open, due to spring under load danger.



CSI

CONTACT CSI FOR MORE INFORMATION | CSIDESIGNS.COM | SALES@CSIDESIGNS.COM | 417.831.1411

Shut-off valve - 4" XL stroke - TR2

Pos	Qty	Denomination	4"
		Actuator, complete (NC & NO)	9634087504
92	1	End cap	751010
93	8	Screw	189723
94	12	Lock washer	189962
95 □	2	O-ring	755388
96 □	1	O-ring	755472
97 □	1	O-ring	755356
98	1	Stem protector	751035
99	1	Stem protector, o-ring	750330
100	1	Stem protector, spacer	751019
101	1	Red cap	750568
102 □	2	Nylon lock pin	750338
103 □	2	Seal retainer	751680
104 □	2	Packing, o-ring	751232
105	1	Retainer, packing	751659
106	1	Yoke	751901
107	4	Screw	189798
108	1	Vent plug (not shown)	181256
109	1	Coupler, stem	9634090101

Clamp

19	1	Clamp	9612939320
----	---	-------------	------------

Bonnet

20	1	Bonnet	9634090001
21 ♦	1	O-ring, EPDM (standard)	
♦	1	O-ring, HNBR	
♦	1	O-ring, FPM	
	1	O-ring, set (10 pcs.), EPDM	9614059434
	1	O-ring, set (10 pcs.), HNBR	9614059435
	1	O-ring, set (10 pcs.), FPM	9614059436
24	1	Bushing	9613125002
25 ♦	1	Lip seal, EPDM (standard)	
♦	1	Lip seal, HNBR	
♦	1	Lip seal, FPM	
	1	Lip seal, set (10 pcs.), EPDM	9614059419
	1	Lip seal, set (10 pcs.), HNBR	9614059420
	1	Lip seal, set (10 pcs.), FPM	9614059421

Valve Body

22	1	Valve body, lower, 2 ports, clamp	9613161611
	1	Valve body, lower, 3 ports, clamp	9613161612
	1	Valve body, lower, 2 ports, welding ends	9613139523
	1	Valve body, lower, 3 ports, welding ends	9613139524

Valve Plug

36	1	Plug, shut off, complete	9614206701
36.1	1	Plug, shut off	9634090201
36.2♦	1	Plug seal, PTFE	
	1	Plug seal, set (10 pcs.), PTFE	9614059453

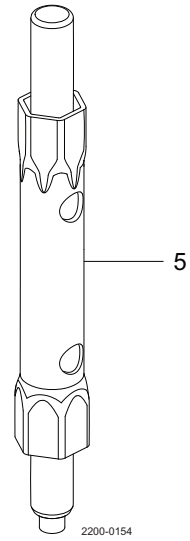
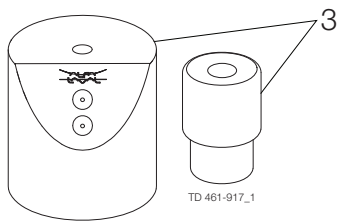
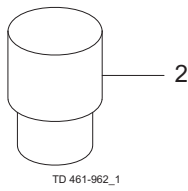
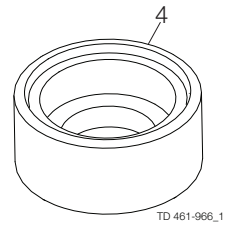
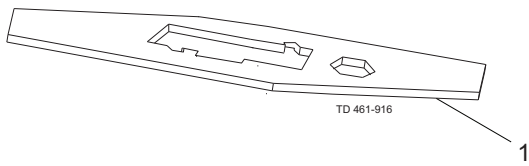
Service kits

			4"
□		Service kit, actuator	9611926957
♦		Service kit, EPDM	9611926565
♦		Service kit, HNBR	9611926570
♦		Service kit, FPM	9611926575

Recommended spare parts: Service kits

Parts marked with □♦ are included in the service kits

TD 900-643



Mounting tools

Pos	Qty	Denomination	1" - 2½"	3" - 4"
1	1	Service tool for maintainable actuator	3135302191	9612454001

TD 900513/2

Pos	Qty	Denomination	1" - 4"
2	1	Tool for bushing (pos. 24)	9613160901

TD 900519/2

Pos	Qty	Denomination	1"	1½"	2"
3	1	Mounting tool for elastomer plug seals	Not available	9613172901	9613172902
4	1	Mounting tool for TR2 plugs	9613163206	9613163201	9613163202

Pos	Qty	Denomination	2½"	3"	4"
3	1	Mounting tool for elastomer plug seals	9613172902	9613172903	9613172903
4	1	Mounting tool for TR2 plugs	9613163203	9613163204	9613163205

TD 900521/2

Pos	Qty	Denomination	1"-4"
5	1	Tool for actuator bushing (pos. 6)	9614198401

TD 900-701



How to contact Alfa Laval

Contact details for all countries are continually updated on our website.

Please visit www.alfalaval.com to access the information directly.

© Alfa Laval Corporate AB

This document and its contents is owned by Alfa Laval Corporate AB and protected by laws governing intellectual property and thereto related rights. It is the responsibility of the user of this document to comply with all applicable intellectual property laws. Without limiting any rights related to this document, no part of this document may be copied, reproduced or transmitted in any form or by any means (electronic, mechanical, photocopying, recording, or otherwise), or for any purpose, without the expressed permission of Alfa Laval Corporate AB. Alfa Laval Corporate AB will enforce its rights related to this document to the fullest extent of the law, including the seeking of criminal prosecution.



CSI

CONTACT CSI FOR MORE INFORMATION | CSIDESIGNS.COM | SALES@CSIDESIGNS.COM | 417.831.1411