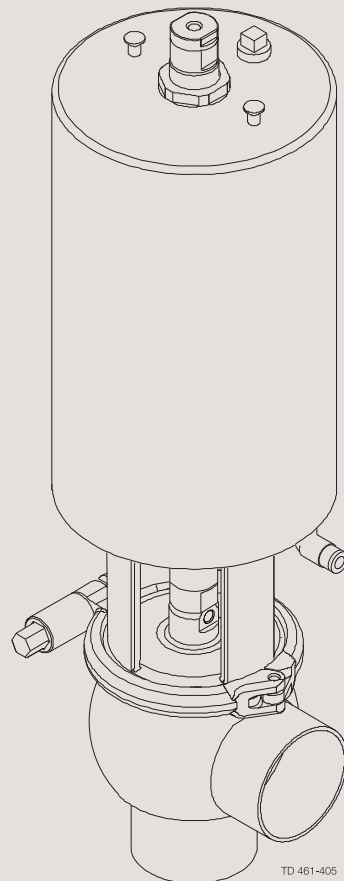
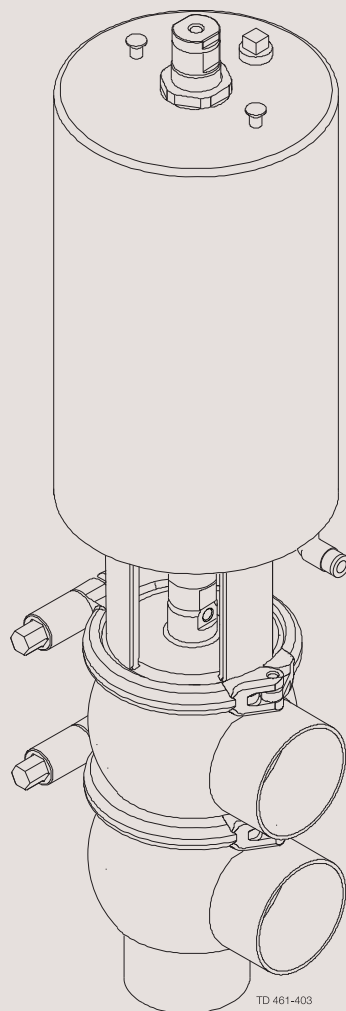


Spare Parts

Unique SSV - Long stroke





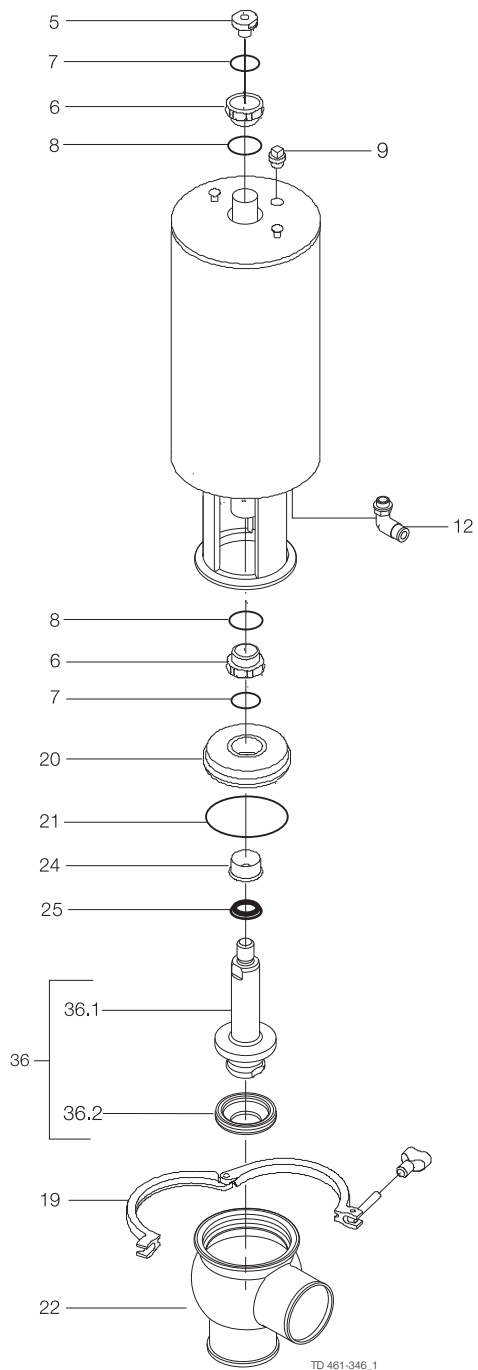
CSI

CONTACT CSI FOR MORE INFORMATION | CSIDESIGNS.COM | SALES@CSIDESIGNS.COM | 417.831.1411

The information herein is correct at the time of issue but may be subject to change without prior notice

- 1. Shut-off valve, TR2 4
- 2. Change-over valve - TR2 6
- 3. Shut-off valve - elastomer plug seal 8
- 4. Change-over valve - elastomer plug seal 10
- 5. Mounting tool - Unique SSV - for plug seals US, Long stroke, Two-step 12





Shut-off valve, TR2

		1½"	2"	2½"	3"	4"	
Actuator							
		Actuator, complete (NO)	9613154846	9613154847	9613154848	9613154849	9613154850
		Actuator, complete (NC)	9613154851	9613154852	9613154853	9613154854	9613154855
		Actuator, complete (A/A)	9613154856	9613154857	9613154858	9613154859	9613154860
5	1	Adapter, plastic (- 0115)					
	1	Adapter, steel (0115 - 0518)					
	1	Adapter, steel (0518 -)	9615374701	9615374701	9615374701	9615374701	9615374701
6	□	Bushing					
7	□	O-ring					
8	□	O-ring					
9	1	Plug	9613414101	9613414101	9613414101	9613414101	9613414101
12	1(2)	Air fitting	9611994682	9611994682	9611994682	9611994682	9611994682
Clamp							
19	1	Clamp	9612939316	9612939317	9612939318	9612939319	9612939320
Bonnet							
20	1	Bonnet	9613127102	9613127103	9613127104	9613127105	9613127106
21	◆	O-ring, EPDM (standard)					
	1	O-ring, HNBR					
	1	O-ring, FPM					
24	1	Bushing	9613125002	9613125002	9613125002	9613125002	9613125002
25	◆	Lip seal, EPDM (standard)					
	1	Lip seal, HNBR					
	1	Lip seal, FPM					
Valve Body							
22	1	Valve body, lower, 2 ports, clamp	9613161603	9613161605	9613161607	9613161609	9613161611
	1	Valve body, lower, 3 ports, clamp	9613161604	9613161606	9613161608	9613161610	9613161612
	1	Valve body, lower, 2 ports, welding ends	9613139515	9613139517	9613139519	9613139521	9613139523
	1	Valve body, lower, 3 ports, welding ends	9613139516	9613139518	9613139520	9613139522	9613139524
Valve Plug							
36	1	Plug, shut-off, complete	9613161702	9613161703	9613161704	9613161705	9613155806
36.1	1	Plug, shut-off	9613155201	9613147501	9613147601	9613147701	9613151105
36.2◆	1	Plug seal, PTFE					
			1½"	2"	2½"	3"	4"

Actuator

□	Service kit	9611926500	9611926500	9611926500	9611926500	9611926500
---	-------------------	------------	------------	------------	------------	------------

Product wetted parts

◆	Service kit, EPDM	9611926561	9611926562	9611926563	9611926564	9611926565
◆	Service kit, HNBR	9611926566	9611926567	9611926568	9611926569	9611926570
◆	Service kit, FPM	9611926571	9611926572	9611926573	9611926574	9611926575

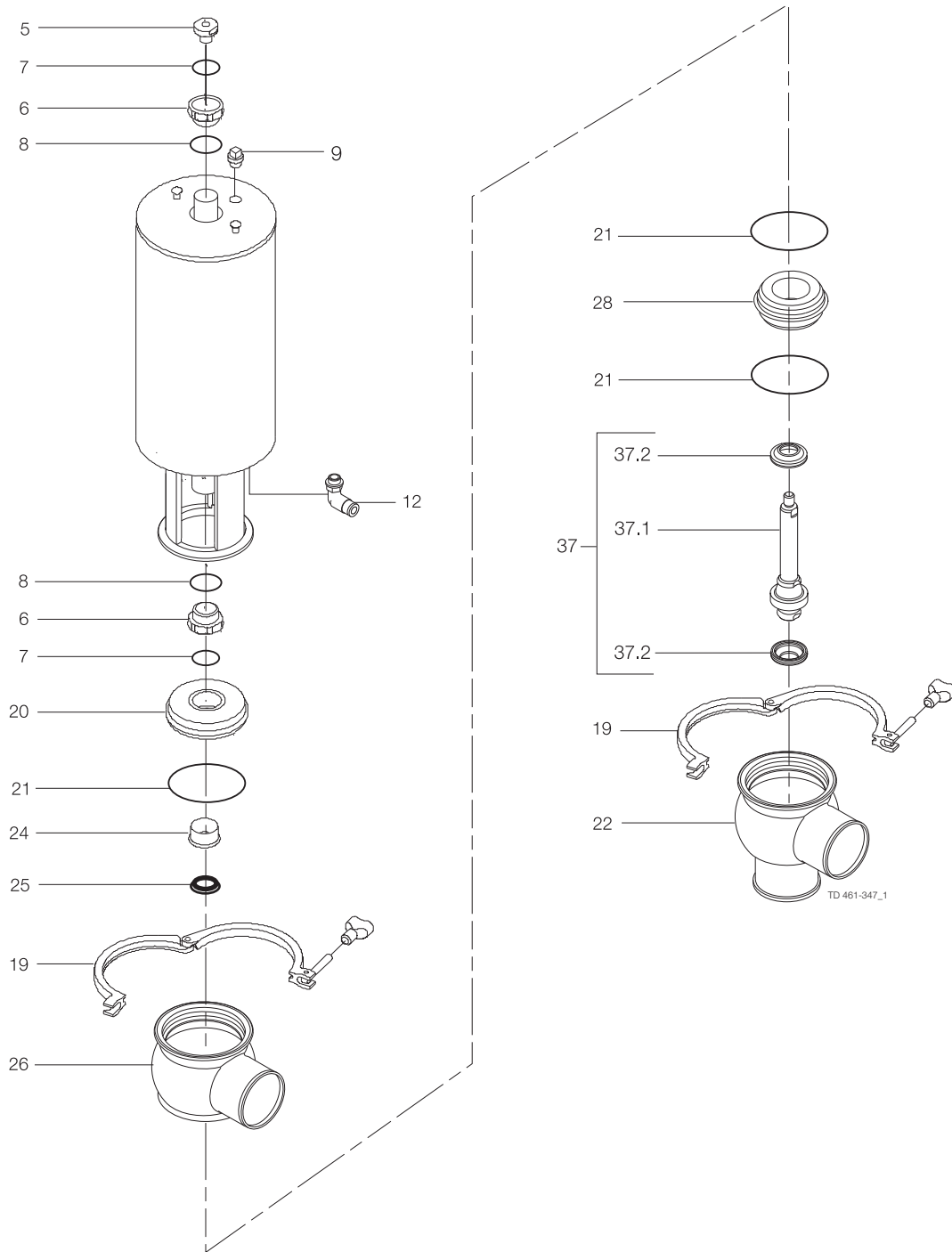
Parts marked with □ are included in the service kits (actuator).

Parts marked with ◆ are included in the service kits (product wetted parts).

Recommended spare parts: Service kits.

TD 900338/2





Change-over valve - TR2

		1½"	2"	2½"	3"	4"	
Actuator							
		Actuator, complete (NO)	9613154846	9613154847	9613154848	9613154849	9613154850
		Actuator, complete (NC)	9613154851	9613154852	9613154853	9613154854	9613154855
		Actuator, complete (A/A)	9613154856	9613154857	9613154858	9613154859	9613154860
5	1	Adapter, plastic (- 0115)					
	1	Adapter, steel (0115 - 0518)					
	1	Adapter, steel (0518 -)	9615344701	9615344701	9615344701	9615344701	9615344701
6	□	Bushing					
7	□	O-ring					
8	□	O-ring					
9	1	Plug	9613414101	9613414101	9613414101	9613414101	9613414101
12	1(2)	Air fitting	9611994682	9611994682	9611994682	9611994682	9611994682
Clamp							
19	2	Clamp	9612939316	9612939317	9612939318	9612939319	9612939320
Bonnet							
20	1	Bonnet	9613127102	9613127103	9613127104	9613127105	9613127106
21	◆	3 O-ring, EPDM (standard)					
		3 O-ring, HNBR					
		3 O-ring, FPM					
24	1	Bushing	9613125002	9613125002	9613125002	9613125002	9613125002
25	◆	1 Lip seal, EPDM (standard)					
		1 Lip seal, HNBR					
		1 Lip seal, FPM					
Seat							
28	1	Seat	9613127502	9613127503	9613127504	9613127505	9613127506
Valve Body							
26	1	Valve body, upper, 1 ports, clamp	9613161503	9613161505	9613161507	9613161509	9613161511
	1	Valve body, upper, 2 ports, clamp	9613161504	9613161506	9613161508	9613161510	9613161512
	1	Valve body, upper, 1 ports, welding ends	9613139315	9613139317	9613139319	9613139321	9613139323
	1	Valve body, upper, 2 ports, welding ends	9613139316	9613139318	9613139320	9613139322	9613139324
22	1	Valve body, lower, 2 ports, clamp	9613161603	9613161605	9613161607	9613161609	9613161611
	1	Valve body, lower, 3 ports, clamp	9613161604	9613161606	9613161608	9613161610	9613161612
	1	Valve body, lower, 2 ports, welding ends	9613139515	9613139517	9613139519	9613139521	9613139523
	1	Valve body, lower, 3 ports, welding ends	9613139516	9613139518	9613139520	9613139522	9613139524
Valve Plug							
37	1	Plug, change-over, complete	9613161802	9613161803	9613161804	9613161805	9613161806
37.1	1	Plug, change-over	9613157501	9613157601	9613157701	9613157801	9613157901
37.2◆	2	Plug seal, PTFE					
			1½"	2"	2½"	3"	4"

Actuator							
□		Service kit	9611926500	9611926500	9611926500	9611926500	9611926500
Product wetted parts							
◆		Service kit, EPDM	9611926633	9611926634	9611926635	9611926636	9611926637
◆		Service kit, HNBR	9611926638	9611926639	9611926640	9611926641	9611926642
◆		Service kit, FPM	9611926643	9611926644	9611926645	9611926646	9611926647

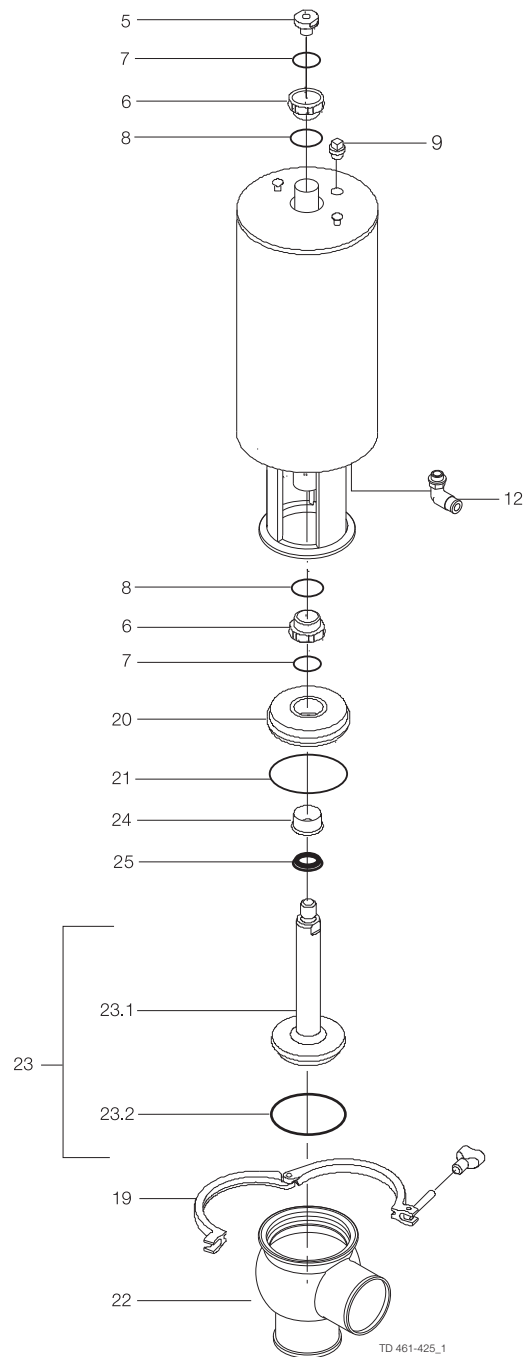
Parts marked with □ are included in the service kits (actuator).

Parts marked with ◆ are included in the service kits (product wetted parts)

Recommended spare parts: Service kits.

TD 900338/2





Shut-off valve - elastomer plug seal

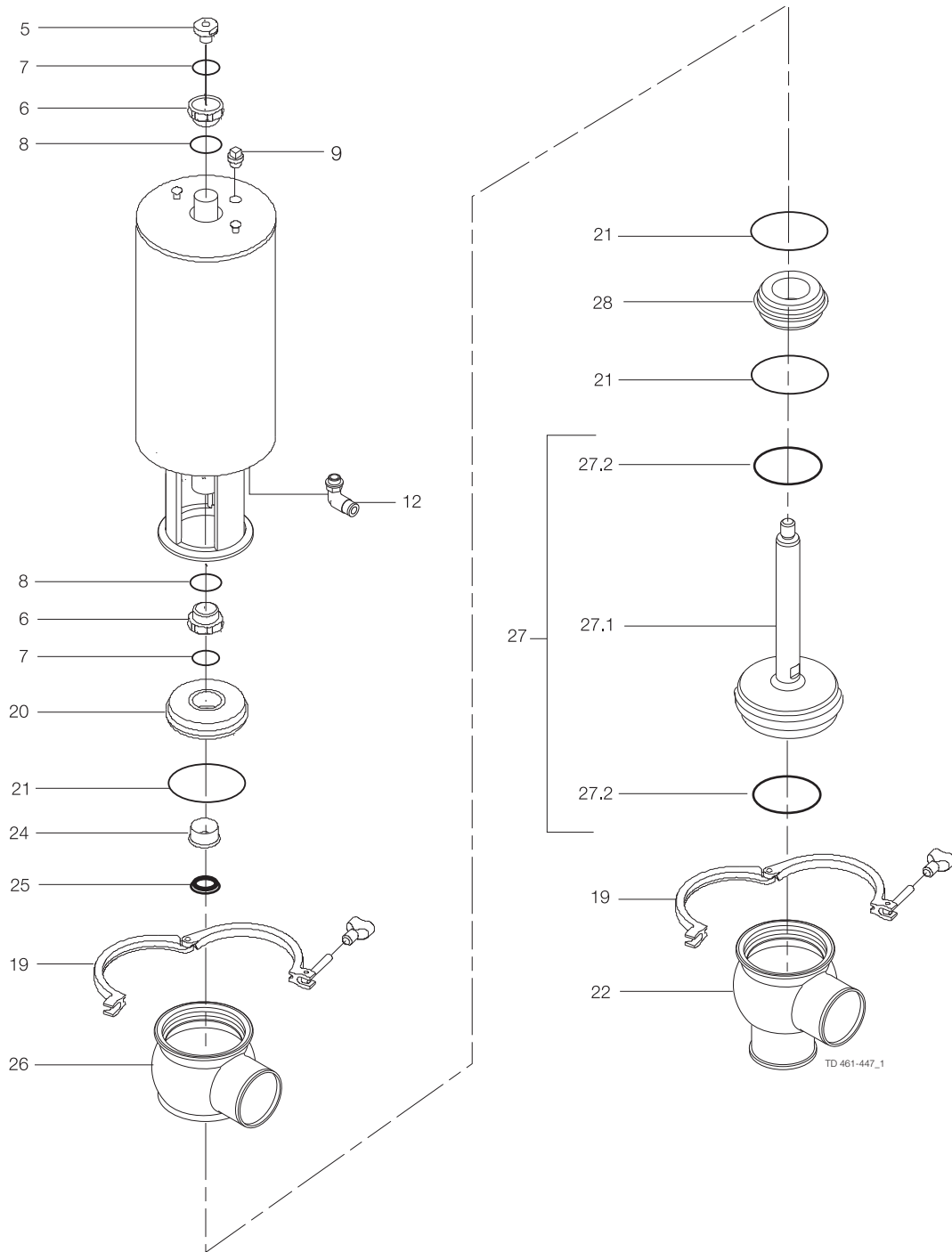
		1½"	2"	2½"	3"	4"	
Actuator							
		Actuator, complete (NO)	9613154846	9613154847	9613154848	9613154849	9613154850
		Actuator, complete (NC)	9613154851	9613154852	9613154853	9613154854	9613154855
		Actuator, complete (A/A)	9613154856	9613154857	9613154858	9613154859	9613154860
5	1	Adapter, plastic (- 0115)					
	1	Adapter, steel (0115 - 0518)					
	1	Adapter, steel (0518 -)	9615344701	9615344701	9615344701	9615344701	9615344701
6	□	Bushing					
7	□	O-ring					
8	□	O-ring					
9	1	Plug	9613414101	9613414101	9613414101	9613414101	9613414101
12	1(2)	Air fitting	9611994682	9611994682	9611994682	9611994682	9611994682
Clamp							
19	1	Clamp	9612939316	9612939317	9612939318	9612939319	9612939320
Bonnet							
20	1	Bonnet	9613127102	9613127103	9613127104	9613127105	9613127106
21	◆	O-ring, EPDM (standard)					
	1	O-ring, HNBR					
	1	O-ring, FPM					
24	1	Bushing	9613125002	9613125002	9613125002	9613125002	9613125002
25	◆	Lip seal, EPDM (standard)					
	1	Lip seal, HNBR					
	1	Lip seal, FPM					
Valve Body							
22	1	Valve body, lower, 2 ports, clamp	9613161603	9613161605	9613161607	9613161609	9613161611
	1	Valve body, lower, 3 ports, clamp	9613161604	9613161606	9613161608	9613161610	9613161612
	1	Valve body, lower, 2 ports, welding ends	9613139515	9613139517	9613139519	9613139521	9613139523
	1	Valve body, lower, 3 ports, welding ends	9613139516	9613139518	9613139520	9613139522	9613139524
Valve Plug							
23	1	Plug, shut-off, complete, EPDM (standard)	9613161902	9613161903	9613161904	9613161905	9613138806
	1	Plug, shut-off, complete, HNBR	9613161908	9613161909	9613161910	9613161911	9613138818
	1	Plug, shut-off, complete, FPM	9613161914	9613161915	9613161916	9613161917	9613138830
23.1	1	Plug, shut-off	9613159001	9613159101	9613159201	9613159301	9613139806
23.2	◆	Plug seal, EPDM (standard)					
	1	Plug seal, HNBR					
	1	Plug seal, FPM					

		1½"	2"	2½"	3"	4"	
Actuator							
□		Service kit	9611926500	9611926500	9611926500	9611926500	9611926500
Product wetted parts							
◆		Service kit, EPDM	9611926502	9611926503	9611926504	9611926505	9611926506
◆		Service kit, HNBR	9611926508	9611926509	9611926510	9611926511	9611926512
◆		Service kit, FPM	9611926514	9611926515	9611926516	9611926517	9611926518

Parts marked with □ are included in the service kits (actuator).
 Parts marked with ◆ are included in the service kits (product wetted parts).

Recommended spare parts: Service kits.

TD 900364/2



TD 461-447_1



Change-over valve - elastomer plug seal

		1½"	2"	2½"	3"	4"	
Actuator							
		Actuator, complete (NO)	9613154846	9613154847	9613154848	9613154849	9613154850
		Actuator, complete (NC)	9613154851	9613154852	9613154853	9613154854	9613154855
	0	Actuator, complete (A/A)	9613154856	9613154857	9613154858	9613154859	9613154860
5	1	Adapter, plastic (- 0115)	9613127401	9613127401	9613127401	9613127401	9613127401
	1	Adapter, steel (0115 - 0518)	9614065301	9614065301	9614065301	9614065301	9614065301
	1	Adapter, steel (0518 -)	9615374701	9615374701	9615374701	9615374701	9615374701
6	□	2 Bushing					
7	□	2 O-ring					
8	□	2 O-ring					
9	1	Plug	9613414101	9613414101	9613414101	9613414101	9613414101
12	1(2)	Air fitting	9611994682	9611994682	9611994682	9611994682	9611994682
Clamp							
19	2	Clamp	9612939316	9612939317	9612939318	9612939319	9612939320
Bonnet							
20	1	Bonnet	9613127102	9613127103	9613127104	9613127105	9613127106
21	♦	3 O-ring, EPDM (standard)					
		3 O-ring, HNBR					
		3 O-ring, FPM					
24	1	Bushing	9613125002	9613125002	9613125002	9613125002	9613125002
25	♦	1 Lip seal, EPDM (standard)					
		1 Lip seal, HNBR					
		1 Lip seal, FPM					
Seat							
28	1	Seat	9613127502	9613127503	9613127504	9613127505	9613127506
Valve Body							
26	1	Valve body, upper, 1 ports, clamp	9613161503	9613161505	9613161507	9613161509	9613161511
	1	Valve body, upper, 2 ports, clamp	9613161504	9613161506	9613161508	9613161510	9613161512
	1	Valve body, upper, 1 ports, welding ends	9613139315	9613139317	9613139319	9613139321	9613139323
	1	Valve body, upper, 2 ports, welding ends	9613139316	9613139318	9613139320	9613139322	9613139324
22	1	Valve body, lower, 2 ports, clamp	9613161603	9613161605	9613161607	9613161609	9613161611
	1	Valve body, lower, 3 ports, clamp	9613161604	9613161606	9613161608	9613161610	9613161612
	1	Valve body, lower, 2 ports, welding ends	9613139515	9613139517	9613139519	9613139521	9613139523
	1	Valve body, lower, 3 ports, welding ends	9613139516	9613139518	9613139520	9613139522	9613139524
Valve Plug							
27	1	Plug, change-over, complete, EPDM (standard) ..	9613162002	9613162003	9613162004	9613162005	9613162006
	1	Plug, change-over, complete, HNBR	9613162008	9613162009	9613162010	9613162011	9613162012
	1	Plug, change-over, complete, FPM	9613162014	9613162015	9613162016	9613162017	9613162018
27.1	1	Plug, change-over	9613159401	9613159501	9613159601	9613159701	9613159801
27.2♦	2	Plug seal, EPDM (standard)					
	2	Plug seal, HNBR					
	2	Plug seal, FPM					
			1½"	2"	2½"	3"	4"

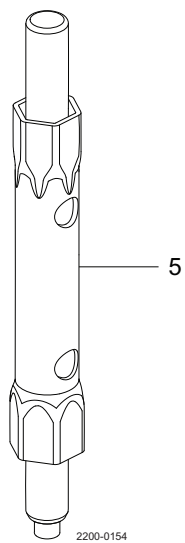
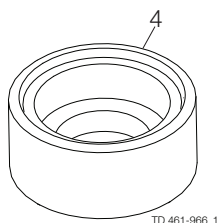
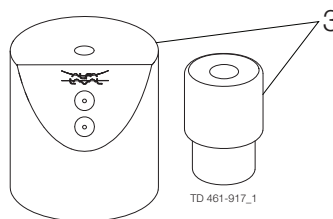
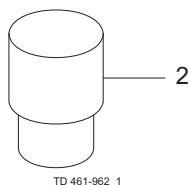
Actuator							
□		Service kit	9611926500	9611926500	9611926500	9611926500	9611926500
Product wetted parts							
♦		Service kit, EPDM	9611926580	9611926581	9611926582	9611926583	9611926584
♦		Service kit, HNBR	9611926586	9611926587	9611926588	9611926589	9611926590
♦		Service kit, FPM	9611926592	9611926593	9611926594	9611926595	9611926596

Parts marked with □ are included in the service kits (actuator).

Parts marked with ♦ are included in the service kits (product wetted parts).

Recommended spare parts: Service kits.

TD 900364/2



Mounting tool - Unique SSV - for plug seals US, Long stroke, Two-step

Pos	Qty	Denomination	38-101.6 mm
2	1	Tool for bushing (pos. 24)	9613160901

Pos	Qty	Denomination	38 mm	51 mm	63.5 mm	76.1 mm	101.6 mm
3	1	Mounting tool for elastomer plug seals	9613172901	9613172902	9613172902	9613172903	9613172903
4	1	Mounting tool for TR2 plugs	9613163201	9613163202	9613163203	9613163204	9613163205
5	1	Tool for actuator bushing	9614198401	9614198401	9614198401	9614198401	9614198401

TD 900525



How to contact Alfa Laval

Contact details for all countries are continually updated on our website.

Please visit www.alfalaval.com to access the information directly.

© Alfa Laval Corporate AB

This document and its contents is owned by Alfa Laval Corporate AB and protected by laws governing intellectual property and thereto related rights. It is the responsibility of the user of this document to comply with all applicable intellectual property laws. Without limiting any rights related to this document, no part of this document may be copied, reproduced or transmitted in any form or by any means (electronic, mechanical, photocopying, recording, or otherwise), or for any purpose, without the expressed permission of Alfa Laval Corporate AB. Alfa Laval Corporate AB will enforce its rights related to this document to the fullest extent of the law, including the seeking of criminal prosecution.



CSI

CONTACT CSI FOR MORE INFORMATION | CSIDESIGNS.COM | SALES@CSIDESIGNS.COM | 417.831.1411