

Spare Parts

Alfa Laval Toftejorg TZ-74 Self Cleaning Version



Not manufactured anymore

EPS00154-EN5 2019-05

Original manual



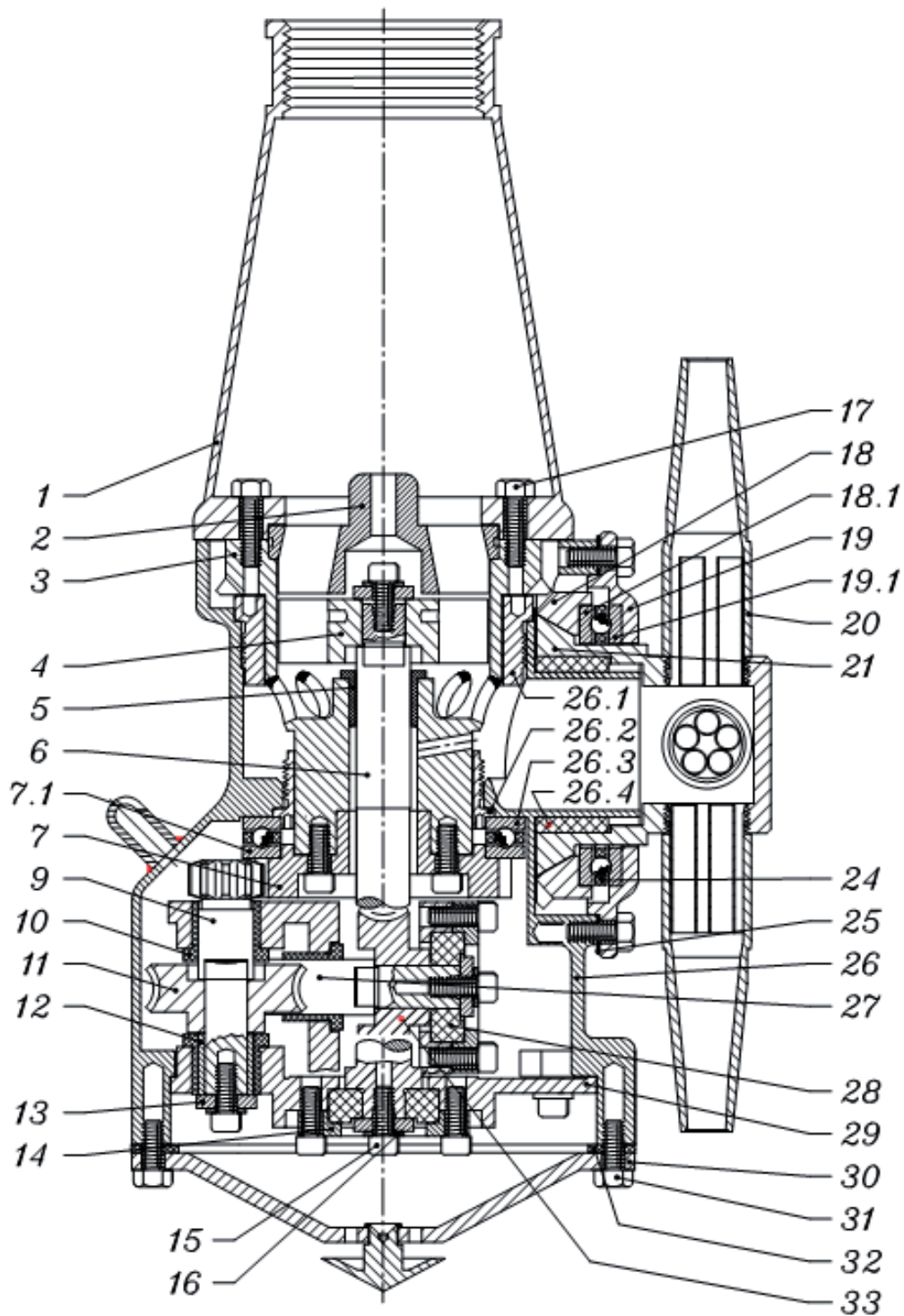
CONTACT CSI FOR MORE INFORMATION | CSIDESIGNS.COM | SALES@CSIDESIGNS.COM | 417.831.1411

The information herein is correct at the time of issue but may be subject to change without prior notice

1. Alfa Laval Toftejorg TZ-74 Self Cleaning Version
Part list, drawings, service kits and tools 4

Not manufactured anymore

Cross sectional drawing, Toftejorg TZ-74 self cleaning



TD523412



Alfa Laval Toftejorg TZ-74 Self Cleaning Version

Part list, drawings, service kits and tools

Reference List of Parts, Alfa Laval Toftejorg TZ-74 Self Cleaning Version

Pos	Qty	Denomination	Item no..	Material	Remarks
1	<input type="checkbox"/>	1 Top Cone, 1½" BSP	TE21D500	Stainless steel	Spare part
	<input type="checkbox"/>	1 Top Cone, 1½" NPT	TE21D501	Stainless steel	Spare part
	<input type="checkbox"/>	1 Top Cone, 2" NPT	TE21D514	Stainless steel	Spare part
2	<input type="checkbox"/>	1 Guide 100%	TE703	Stainless steel	Spare part
	<input type="checkbox"/>	1 Guide ring 0%	TE8030	Stainless steel	Spare part
3		1 Stem f. Toftej.TZ-74 self-clean	TE21D561	Stainless steel	Spare part
4		1 Impeller 100%	TE705	Stainless steel	Spare part
5	◆◆	1 Main bush	TE21A525	Polymer	Wear part
6	◆	1 Turbine shaft	TE411K	Stainless steel	Wear part
7		1 Gear wheel w. ball race	TE71213	Stainless steel	Spare part
7.1	◆	1 Ball race	TE8261	Stainless steel	Wear part
9		1 Pinion	TE814	Stainless steel	Spare part
10	◆◆	3 Collar bush	TE21A585	Polymer	Wear part
11	◆◆	1 Worm wheel w. reinforcem.	TE21A367	Polymer	Wear part
12		1 Journal	TE817	Stainless steel	Spare part
13		4 Washer	TE719A	Stainless steel	Spare part
14		2 Bearing cover	TE731	Stainless steel	Spare part
15	22	Screw	TE118	Stainless steel	Spare part
16	8	Spring washer	TE156	Stainless steel	Spare part
17	6	Hex Screw	TE402H	Stainless steel	Spare part
18		1 Bevel gear w. ball race	TE722S	Stainless steel	Spare part
18.1	◆	1 Ball race	TE8261	Stainless steel	Wear part
19		1 Hub cover w. ball race	TE21D340	Stainless steel	Spare part
19.1	◆	1 Ball race	TE8261	Stainless steel	Wear part
20	<input type="checkbox"/>	4 Nozzle, ø6 mm	TE50A006	Stainless steel	Spare part
	<input type="checkbox"/>	4 Nozzle, ø7 mm	TE50A007	Stainless steel	Spare part
	<input type="checkbox"/>	4 Nozzle, ø8 mm	TE50A008	Stainless steel	Spare part
	<input type="checkbox"/>	2 Nozzle, ø10 mm	TE50A010	Stainless steel	Spare part
20.1		2 Plug	TE50A000	Stainless steel	Spare part
21		1 Hub	TE21C536	Stainless steel	Spare part
24	◆	2 Ball retainer w. balls	TE21A380	Polymer/Stain- less steel	Spare part
25		1 Hub gasket	TE21D562	Polym./elastom.	Spare part
26		1 Body w. clean nozzle		Stainless steel	*Note
26.1		1 Main collar upper	TE21B520	Polymer	Wear part
26.2		1 Main collar lower	TE21B521	Polymer	Wear part
26.3	◆	1 Ball race	TE8261	Stainless steel	Wear part
26.4	◆	1 Hub collar	TE21D522	Polymer	Wear part
27	◆	1 Horizontal shaft	TE828Z	Stainless steel	Wear part
28	◆◆	2 Slide bearing	TE21A570	Polymer	Wear part
29		1 Gear frame	TE730	Stainless steel	Spare part
30		1 Bottom cover compl.	TE21D350	Stainless steel	Spare part
31	10	Hex Screw	TE421H	Stainless steel	Spare part
32		1 Bottom gasket	TE21D563	Polym./elastom.	Spare part
33	◆◆	1 Worm wheel w. reinforcem.	TE21A367	Polymer	Wear part

Service kits

Minor service kit	TE21D299
Major service kit	TE21D286

Parts marked with ◆ are included in the Minor Service Kit standard: TE21D299

Parts marked with ◇ are included in the Major Service Kit standard: TE21D286

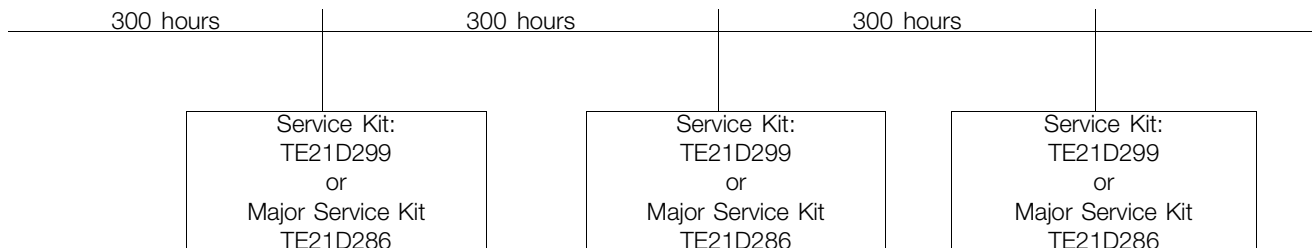
The machine can be delivered with ATEX certification.

Configuration according to delivery note/order.

*Note: Position 26 is not sold as single Spare part component. Only sold as part of a machine maintenance/repair order. For further information please contact Alfa Laval Customer Support.



Service Intervals



Pos	Qty	Denomination	Tool item no.
		Standard Tool kit for Toftejorg TZ-74	TE81B055

Consisting of:

1	Hex Key for Screw	TE134
2	Hex Screwdriver for Screw	TE134A
1	Socket wrench for Hex Screw	TE462A

Available on request:

1	Pusher for Collar bush, 1½"	TE81B033
---	-----------------------------------	----------

How to contact Alfa Laval

Contact details for all countries are continually updated on our website.

Please visit www.alfalaval.com to access the information directly.

© Alfa Laval Corporate AB

This document and its contents is owned by Alfa Laval Corporate AB and protected by laws governing intellectual property and thereto related rights. It is the responsibility of the user of this document to comply with all applicable intellectual property laws. Without limiting any rights related to this document, no part of this document may be copied, reproduced or transmitted in any form or by any means (electronic, mechanical, photocopying, recording, or otherwise), or for any purpose, without the expressed permission of Alfa Laval Corporate AB. Alfa Laval Corporate AB will enforce its rights related to this document to the fullest extent of the law, including the seeking of criminal prosecution.



CSI

CONTACT CSI FOR MORE INFORMATION | CSIDESIGNS.COM | SALES@CSIDESIGNS.COM | 417.831.1411