

The Standard Duty Pump

SolidC Centrifugal Pump

Applications

The SolidC pump is designed for standard duty applications, like pumping CIP (Cleaning In Place) solutions, utilities, water (processing, heating, cooling), washing machines, simple transport duty within working range. SolidC is suited for use in the food, dairy, beverage, personal care, pharmaceutical, light chemical and water industries.

Standard design

The SolidC pump is designed for CIP with emphasis on large internal radii and cleanable seals.

The complete SolidC unit is supported on four adjustable legs.

Shaft seals

The SolidC pump is equipped with either an external single or a flushed shaft seal. Both have stationary seal rings in acid-resistant steel AISI 329 with sealing surface in silicon carbide and rotating seal rings in carbon. The secondary seal of the flushed seal is a long lasting lip seal.



TECHNICAL DATA

Materials

Product wetted steel parts: AISI 316L and AISI 329L.

Other steel parts: AISI 304.

Finish, product wetted surface: 3A polish 32 Ra.

Product wetted seals: EPDM (acc. to FDA).

Connections for FSS:

R 1/8" (BSP) external thread.

Motor

Standard C-faced, foot mounted motor according to NEMA standard. 3500 RPM or 1750 RPM. Exact efficiency, Class F. Note frame size per horsepower.

Motor sizes

OPERATING DATA

Pressure

Max. inlet pressure: 58 psi (4 bar).

Temperature

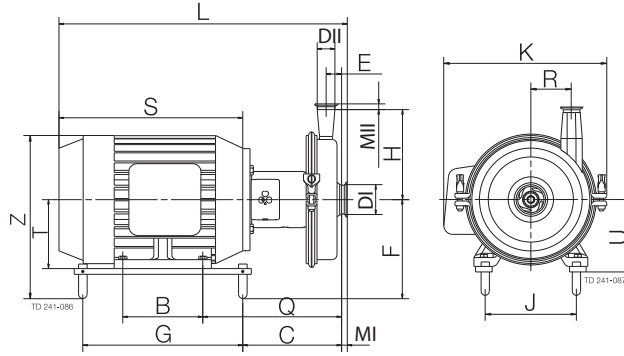
Temperature range 14°F to 250°F (EPDM).

Flushed shaft seal (FSS):

Water pressure inlet: 14.5 PSI.

Water consumption: 4-8 usgph.

Dimensions (mm)



	SolidC-1 3600rpm						SolidC-1 1800rpm	
Motor Hp	1.5	2	3	5	7.5	10	1	1.5
A	10.25	10.25	12.59	12.59	14.09	14.09	10.25	10.25
B	12.10	12.10	13.48	13.48	14.58	14.58	12.10	12.10
C	16.87	17.85	18.92	19.92	23.12	24.61	16.87	16.87

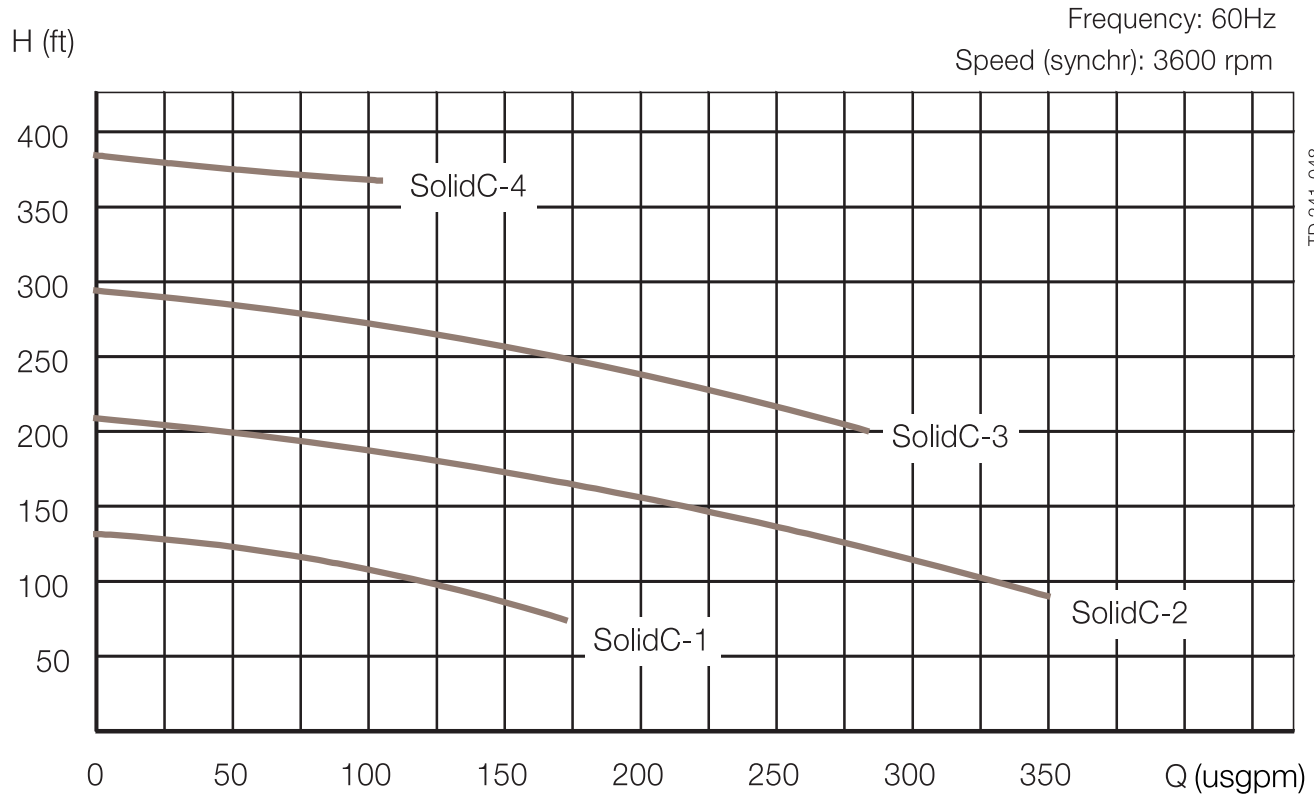
	SolidC-2 3600rpm						SolidC-2 1800rpm			
Motor Hp	3	5	7.5	10	15	20	1	1.5	2	3
A	12.59	12.59	14.09	14.09	16.18	16.18	10.25	10.25	10.25	12.59
B	14.46	14.46	15.58	15.58	17.07	17.07	13.98	13.98	13.98	14.46
C	19.17	20.34	23.42	24.92	27.98	29.72	17.13	17.13	18.11	19.17

	SolidC-3 3600rpm							SolidC-3 1800rpm				
Motor Hp	5	7.5	10	15	20	25	30	1	1.5	2	3	5
A	12.59	14.09	14.09	16.18	16.18	17.82	17.82	10.25	10.25	10.25	12.59	12.59
B	15.35	16.26	16.26	17.76	17.76	18.55	18.55	15.35	15.35	15.35	15.35	15.35
C	20.17	23.50	24.99	28.05	29.79	30.77	32.27	17.13	17.13	18.11	19.17	20.17

	SolidC-4 3600rpm					SolidC-4 1800rpm					
Motor Hp	10	15	20	25	30	1.5	2	3	5	7.5	10
A	14.09	16.18	16.18	17.82	17.82	10.25	10.25	12.59	12.59	14.09	14.09
B	16.65	18.15	18.15	18.94	18.94	16.14	16.14	16.14	16.14	16.65	16.65
C	24.77	27.85	29.59	30.57	32.07	17.00	17.98	19.04	20.04	23.28	24.77



Flow chart



Options

- A. Impeller with reduced diameter.
- B. Motor for other voltage and/or frequency.
- C. Flushed shaft seal.
- D. Product wetted seals of Buna (NBR), Fluoroelastomer (FPM) or FEP.
- E. Rotating seal ring material in Silicon Carbide.

Ordering

Please state the following when ordering:

- Pump size.
- Connections. (Tri-Clamp®)
- Impeller diameter.
- Motor size.
- Seal and Elastomer Type
- Voltage and frequency.
- Flow, pressure and temperature.
- Density and viscosity of the product.
- Options.

Note!

For further details, see also ESE00797.



Alfa Laval reserves the right to change specifications without prior notification. ALFA LAVAL is a trademark registered and owned by Alfa Laval Corporate AB.

© Alfa Laval

ESE00265US 1306

How to contact Alfa Laval

Contact details for all countries are continually updated on our website. Please visit www.alfalaval.us to access the information direct.



CSI

CONTACT CSI FOR MORE INFORMATION | CSIDESIGNS.COM | SALES@CSIDESIGNS.COM | 417.831.1411