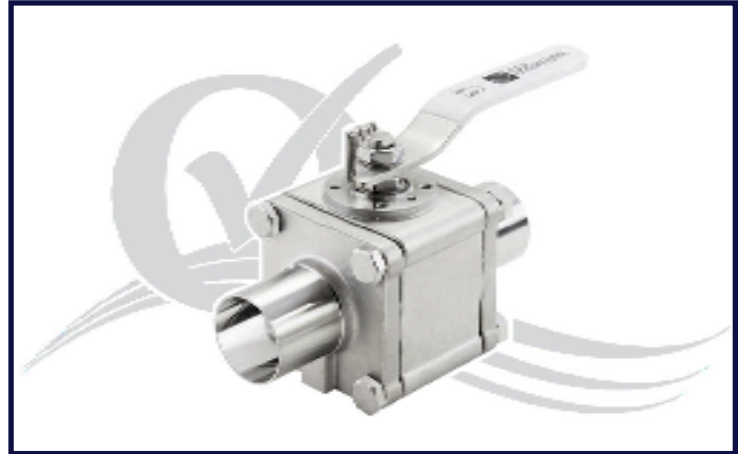


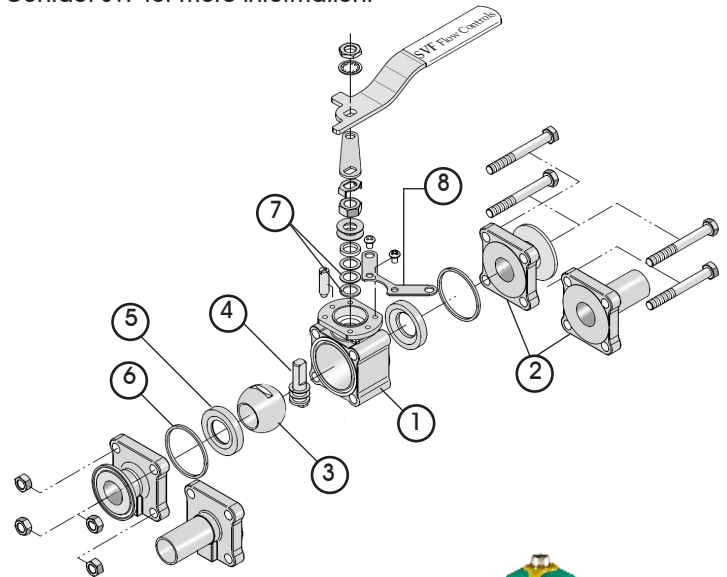
CleanFLOW™ SB79 ball valves are engineered to be a true process piping component to specifically meet the demanding processes found in the pharmaceutical and food & beverage industries. The "Tube-ID" port opening is dimensionally identical to the adjacent tubing to comply with ASME-BPE guidelines.

SERIES SB79 DESIGN FEATURES

- ✓ ASME-BPE compliant
- ✓ Cavity filled TFM1 600™ seat option available (SBC79)
- ✓ Drainable design with "Tube-ID" dimensions
- ✓ Weld bosses for easy purge porting on ends
- ✓ ISO 5211 mounting pad for easy actuation
- ✓ Encapsulated body seals to facilitate welding without disassembly
- ✓ End connections include Tri-Clamp and Extended Tube O.D.
- ✓ Standard interior finish is 20Ra or better
- ✓ ETO ends are designed for Orbital Welding
- ✓ Exclusive "Fine Adjust" handle for precise positioning



The Series SB79 Ball Valve is available with additional options. Contact SVF for more information.



MATERIALS OF CONSTRUCTION

ITEM	DESCRIPTION	MATERIALS SPECIFICATIONS (Additional options available)
1	Body	Hastelloy (ASTM A494 CW12MW)
2	End Connector	Hastelloy (ASTM A494 CW12MW)
3	Ball	Hastelloy (ASTM A494 CW12MW)
4	Stem	Hastelloy (ASTM A494 CW12MW)
5	Seat	TFM1 600™
6	Body Seal	PTFE
7	Stem Seal	RTFE
8	Locking Device (Optional)	304 Stainless Steel

SVF Series SB79 Ball Valve with **aero²** Actuator and Low-Profile Limit Switch

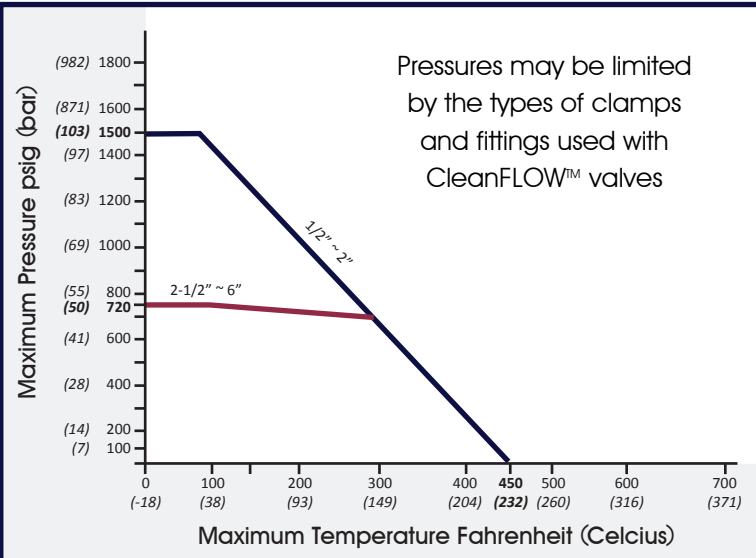


What do you need today?™

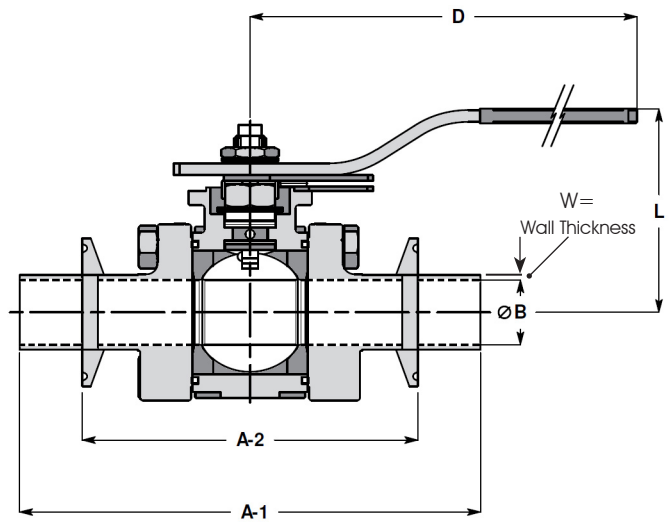
DIMENSIONS, WEIGHT, Cv, TORQUE

Size	A-1		A-2		B		D		L		W		Weight		Cv	Torque*	
	in.	mm	in.	mm	in.	mm	in.	mm	in.	mm	in.	mm	lbs	kg		in-lbf	Nm
1/2"	5.50	140	3.50	89	0.37	9	5	114	2.22	56	0.065	1.7	2	0.9	8	60	7
3/4"	6.00	152	4.00	102	0.62	16	5	114	2.28	58	0.065	1.7	2	0.9	29	60	7
1"	6.50	165	4.50	114	0.87	22	6	146	2.56	65	0.065	1.7	4	1.8	66	100	11
1-1/2"	7.50	191	5.50	140	1.37	35	7	178	3.09	78	0.065	1.7	8	3.6	192	200	23
2"	8.00	203	6.25	159	1.87	47	7	178	3.45	88	0.065	1.7	13	5.9	434	250	28
2-1/2"	9.50	241	6.75	171	2.37	60	10	254	5.35	136	0.065	1.7	23	10.4	723	450	51
3"	10.50	267	7.00	178	2.87	73	14	348	6.55	166	0.065	1.7	31	14.1	1124	1300	147
4"	12.50	318	8.50	216	3.83	97	22	559	7.14	181	0.083	2.1	46	20.9	2100	1400	158
6"	16.00	406	17.00	432	5.78	147	26	660	12.00	305	0.109	2.8	196	88.5	4700	4160	470

SB79 - PRESSURE/TEMPERATURE CHART



* At full differential pressure for clean fluids with TFM1600™ Non-Cavity Filled Seats



HOW TO ORDER SERIES SB79 BALL VALVES

Please refer to the next page for our comprehensive How to Order Guide for Series SB79 Ball Valves.

Three-Piece CleanFLOW™ Hastelloy Ball Valve, Sizes 1/2" ~ 6"

Ordering Code Sequence (Columns 1 thru 11)

1	2	3	4	5	6
SERIES	BODY	ENDS	BALL	STEM	SEAT MATERIAL
SB70 = Series SB79	9 = Hastelloy ASTM A494 CW12MW	9 = Hastelloy ASTM A494 CW12MW	9 = Hastelloy ASTM A494 CW12MW	9 = Hastelloy ASTM A494 CW12MW	A = TFM1600™ Q = TFM1600™ Cavity Filled

7	8	9	10	11
BODY SEAL	END CONNECTIONS	VALVE SIZE	OPTIONS*	SPECIAL SERVICES*
T = PTFE	TR0 = Tri-Clamp Ends ETO = Extended Tube-OD Ends JAA = Tri-Clamp End X Extended Tube-OD End (Tri-Clamp End is under the handle on manual valves) JAH = Extended Tube-OD End X Tri-Clamp End (Extended Tube-OD End is under the handle on manual valves)	005 = 1/2" 007 = 3/4" 010 = 1" 015 = 1-1/2" 020 = 2" 025 = 2-1/2" 030 = 3" 040 = 4" 060 = 6"	00 = None OH = Oval Handle LK = Locking Device SX = ISO Cast Stem Extension BX = Bar Stem Extension AD = Anti-Static Device SC = Secondary Containment AA = Oval Handle & Locking Device AB = Oval Handle & ISO Cast Stem Extension AC = Locking Device & Anti-Static Device AG = ISO Cast Stem Extension & Locking Device JA = Oval Handle, ISO Cast Stem Extension & Locking Device JB = Oval Handle, ISO Cast Stem Extension & Anti-Static Device JE = Locking Device, ISO Cast Stem Extension & Anti-Static Device	00 = None XC = Oxygen Cleaned EP = Electropolished HS = High Cycle Stem Kit (Sanitary Valve) VV = Vacuum & Searching Gas Stem Kit SA = 15Ra ID Finish SB = 10Ra ID Finish SC = 5Ra ID Finish AA = Electropolished & 15Ra ID Finish AB = Electropolished & 10Ra ID Finish AC = Electropolished & 5Ra ID Finish AD = Oxygen Cleaned & Electropolished JA = Electropolished, Oxygen Cleaned & 15Ra ID Finish JB = Electropolished, Oxygen Cleaned & 10Ra ID Finish

Order Example: (SB709999ATTR00050000) The Part Number will contain 20 digits.

Ordering Code Sequence >>

Sample Part Number >>

1	2	3	4	5	6	7	8	9	10	11
SB70	9	9	9	9	A	T	TR0	050	00	00

Valve Series Body Material End Material Ball Stem Seat Material Seal Material End Connections Valve Size Options* Special Services*

* Not all Options or Special Services available on all ball valves. Consult SVF for additional information.