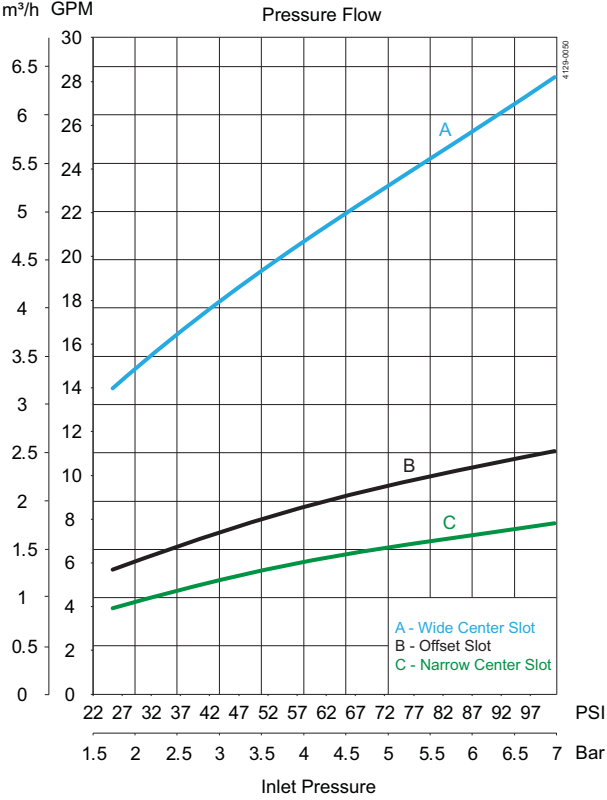


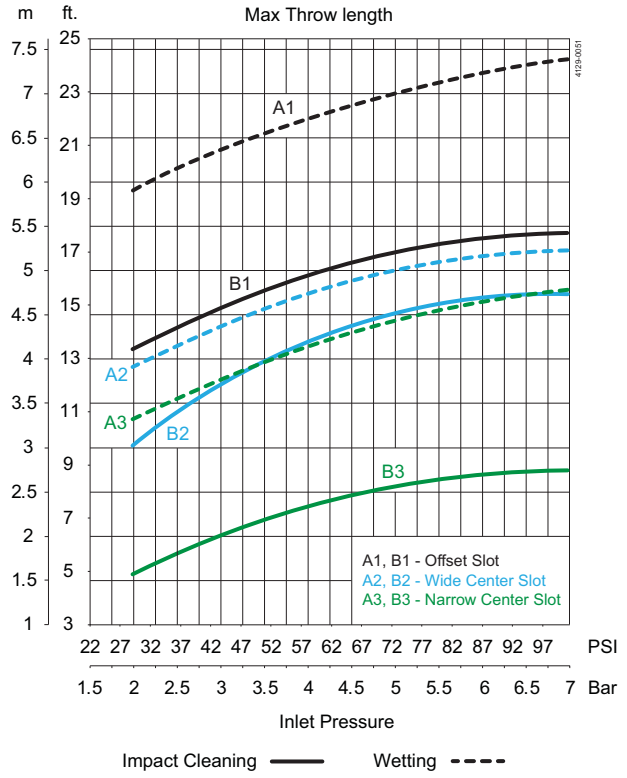
Performance data

Flow rate
Flow rate
m³/h GPM

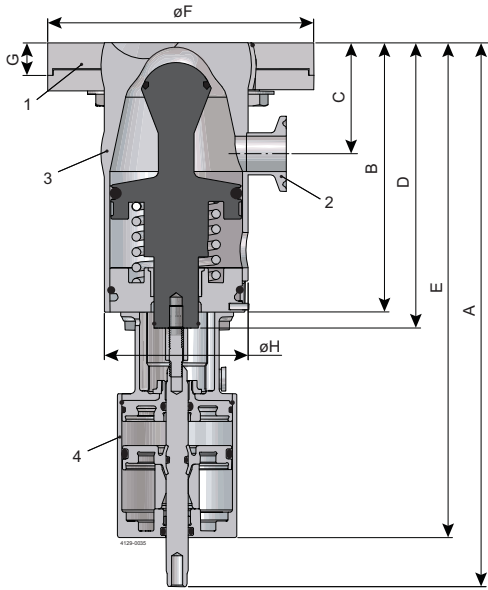


- A. Wide center slot
- B. Offset slot
- C. Narrow center slot

Throw length
Throw length



Dimensions



- 1. Tank connection
 - 2. Inlet connection for cleaning media: 3/4" Clamp
 - 3. Alfa Laval PlusClean
 - 4. Pneumatic Actuator
- A-H see tables below

Media driven (inch)

Stroke	A	B	C	D	E	F	G		H	Weight
							Adjustable weld plate	Fixed weld plate		
0.4	NA	4.8	2	5.2	NA	4.7	0.7	0.6	2.6	4.6 lbs

Pneumatic driven (inch)

Stroke	A	B	C	D	E	F	G		H	Weight
							Adjustable weld plate	Fixed weld plate		
0.4	9.7	4.8	2	5.2	8.8	4.7	0.7	0.6	2.6	6 lbs

Alfa Laval reserves the right to change specifications without prior notification.

How to contact Alfa Laval

Contact details for all countries are continually updated on our website. Please visit www.alfalaval.us to access the information direct.