

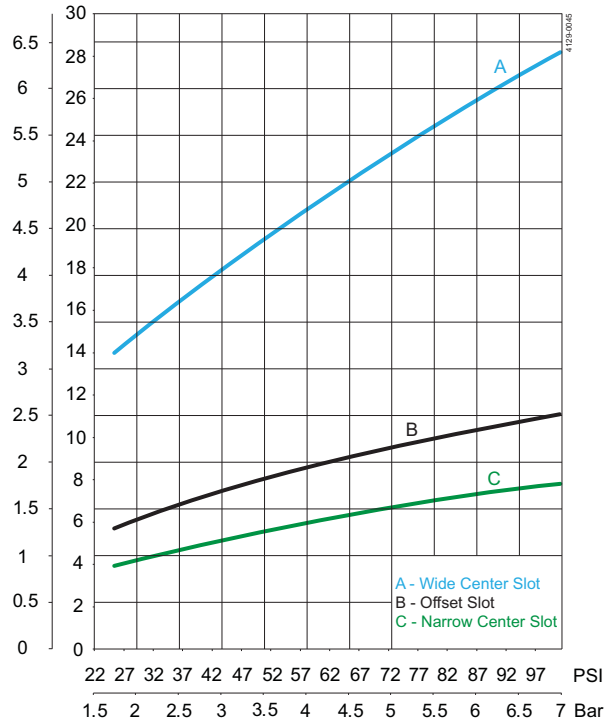






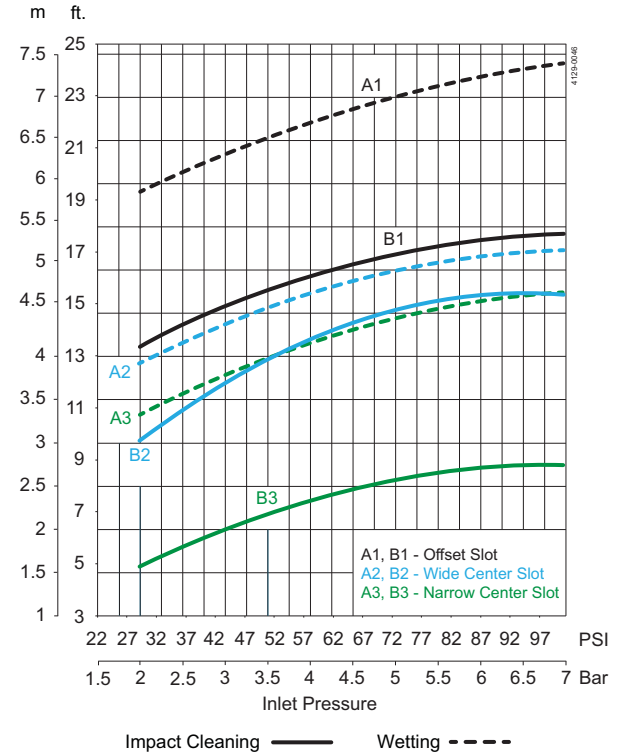
Performance data

Flow rate  
Flow rate  
m<sup>3</sup>/h GPM

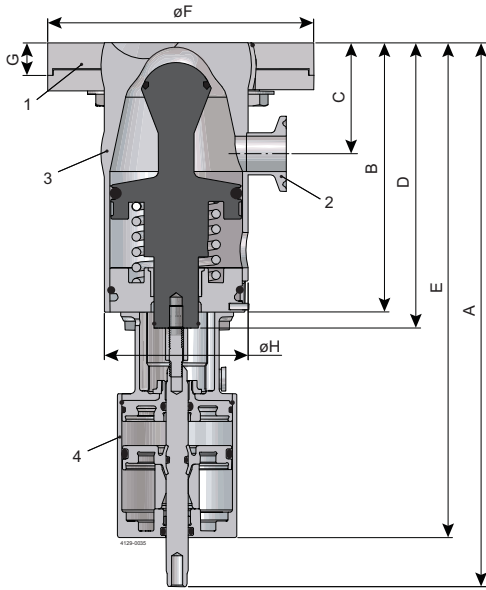


- A. Wide center slot
- B. Offset slot
- C. Narrow center slot

Throw length  
Throw length  
m ft.



**Dimensions**



- 1. Tank connection
  - 2. Inlet connection for cleaning media: 3/4" Clamp
  - 3. Alfa Laval PlusClean
  - 4. Pneumatic Actuator
- A-H see tables below

**Media driven (inch)**

Stroke	A	B	C	D	E	F	G		H	Weight
							Adjustable weld plate	Fixed weld plate		
0.4	NA	4.8	2	5.2	NA	4.7	0.7	0.6	2.6	4.6 lbs

**Pneumatic driven (inch)**

Stroke	A	B	C	D	E	F	G		H	Weight
							Adjustable weld plate	Fixed weld plate		
0.4	9.7	4.8	2	5.2	8.8	4.7	0.7	0.6	2.6	6 lbs





Alfa Laval reserves the right to change specifications without prior notification.

---

**How to contact Alfa Laval**

Contact details for all countries are continually updated on our website. Please visit [www.alfalaval.us](http://www.alfalaval.us) to access the information direct.