

P.L. : 1002-C01

Effective  
Replaces

February 2018  
April 2017

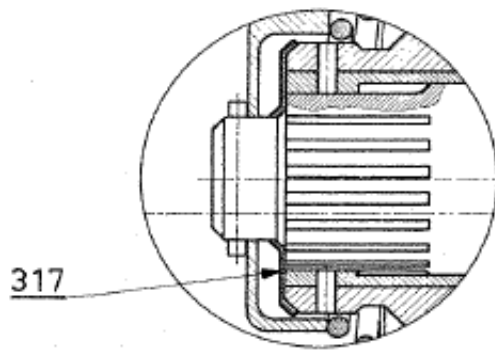
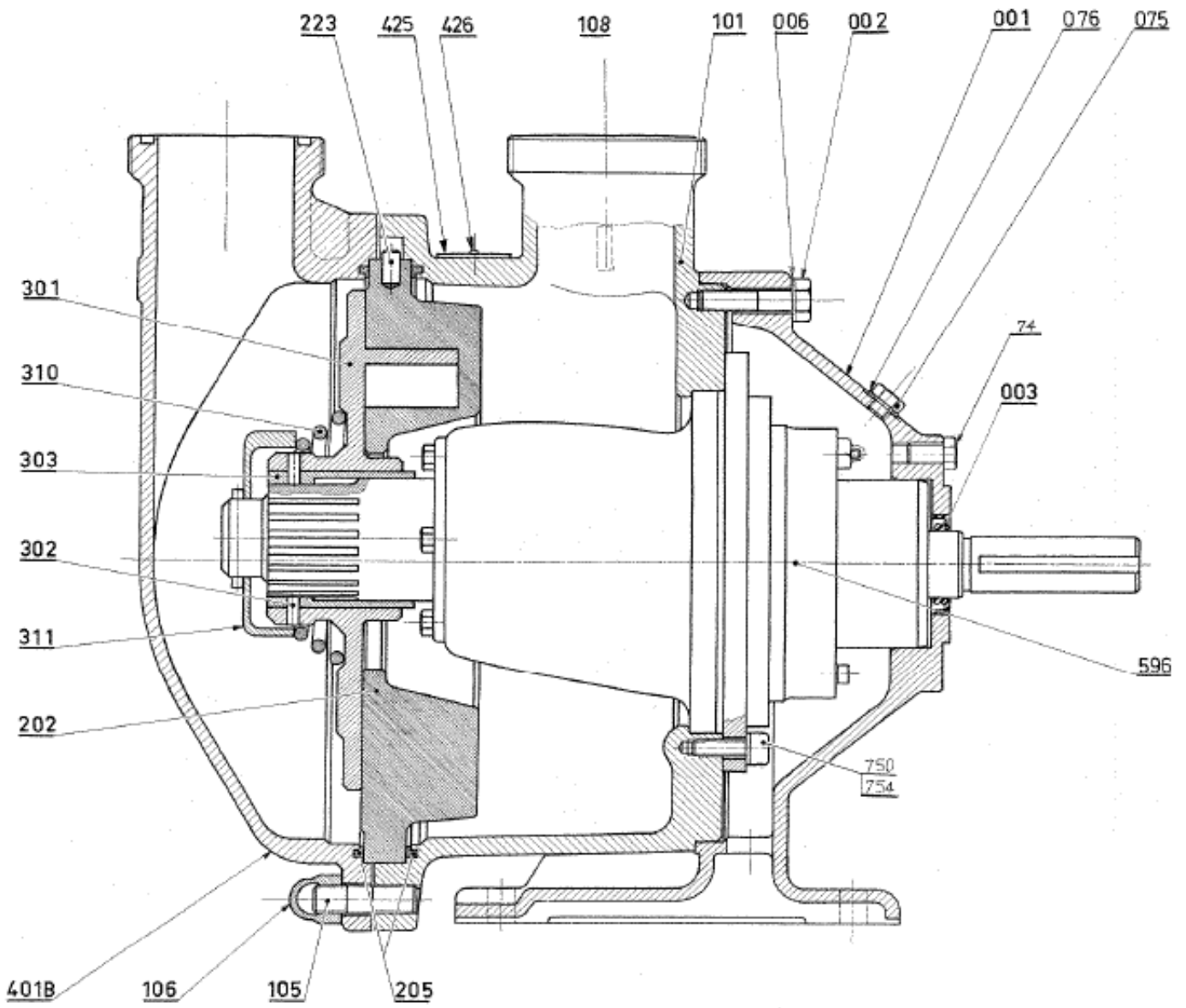
**PARTS LIST**  
**PUMP**  
**S6C**

Keep this parts lists with Installation, Operation and Maintenance Instructions.

To order the required spare parts, indicate the desired Reference(s).

- ◆ Sets of parts or parts available to order.

# S6C



# S6C

\* 1, 2, 4... : Quantity in equipment - (1), (2), (4)... : Quantity in kit

| Item | Available | Description                                       | Qty* | Ref.      | Maintenance kit | Wear part |
|------|-----------|---|------|-----------|-----------------|-----------|
| 5    | ◆         | SUPPORT FOOT PUMP COMPLETE                        | 1    | 301568.00 |                 |           |
| 1    |           | SUPPORT FOOT                                      | (1)  |           |                 |           |
| 2    |           | SCREW   | (4)  |           |                 |           |
| 3    |           | LIP SEAL  | (1)  |           |                 | ●         |
| 6    |           | WASHER  | (4)  |           |                 |           |
| 74   |           | SCREW   | (4)  |           |                 |           |
| 75   |           | SCREW   | (1)  |           |                 |           |
| 76   |           | SEAL  | (1)  |           |                 | ●         |
| 100  | ◆         | POLISH MAIN BODY - SMS 63                         | 1    | 309104.00 |                 |           |
| 100  | ◆         | POLISH MAIN BODY - DIN 65                         | 1    | 304514.00 |                 |           |
| 100  | ◆         | POLISH MAIN BODY - CLAMP ASME BPE                 | 1    | 316042.00 |                 |           |
| 101  |           | MAIN BODY   | (1)  |           |                 |           |
| 105  |           | STUD  | (8)  |           |                 |           |
| 106  |           | BLIND NUT   | (8)  |           |                 |           |
|      |           | GASKETS FOR CONNECTION :                          |      |           |                 |           |
| 120  | ◆         | SET OF 2 GASKETS CONNECTION FKM CLAMP ASME BPE    | 1    | 315665.01 | ■               |           |
| 120  | ◆         | SET OF 2 GASKETS CONNECTION FKM DIN 65            | 1    | 311654.01 | ■               |           |
| 120  | ◆         | SET OF 2 GASKETS CONNECTION FKM SMS 63            | 1    | 311583.01 | ■               |           |
| 1012 |           | SEAL  | (2)  |           |                 | ●         |
| 200B | ◆         | SET CYLINDER_PISTON S6C                           | 1    | 313415.00 | ■               |           |
| 201  |           | CYLINDER  | (1)  |           |                 | ●         |
| 301  |           | COMPLETE PISTON                                   | (1)  |           |                 | ●         |
| 206  | ◆         | SET OF CYLINDER ORINGS -FKM CE1935_2004           | 1    | 304864.00 | ■               |           |
| 205  |           | SEAL FKM CE1935_2004                              | (2)  |           |                 | ●         |
| 310  | ◆         | SPRING BACK PISTON                                | 1    | 201227    |                 |           |
| 310  | ◆         | STRONG SPRING BACK PISTON                         | 1    | 216494    |                 |           |
| 311  | ◆         | PUSHER  | 1    | 206079    |                 |           |
| 317  | ◆         | SEAL FKM CE1935_2004                              | 1    | 230081    |                 | ●         |
| 401B | ◆         | POLISH FRONT COVER - CLAMP ASME BPE 63            | 1    | 315660.00 |                 |           |
| 401B | ◆         | POLISH FRONT COVER - DIN 65                       | 1    | 315654.00 |                 |           |
| 401B | ◆         | POLISH FRONT COVER - SMS 63                       | 1    | 315653.00 |                 |           |
| 596  | ◆         | COMPLETE TRANSMISSION BLOCK FKM WITH DETECTION    | 1    | 513910.03 |                 | ●         |
| 596  | ◆         | COMPLETE TRANSMISSION BLOCK FKM WITHOUT DETECTION | 1    | 502038.03 |                 | ●         |