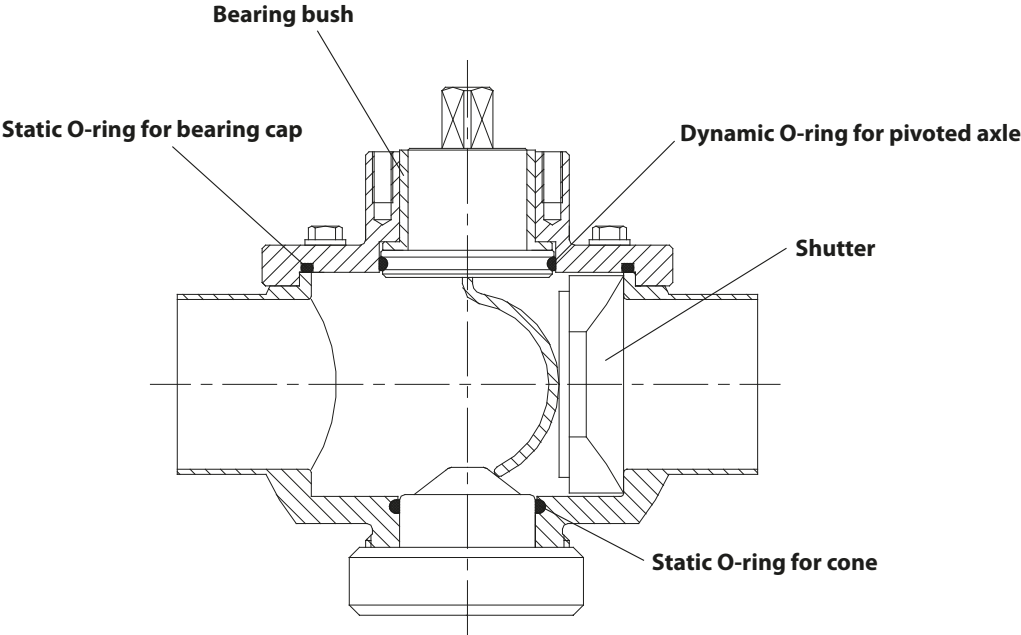
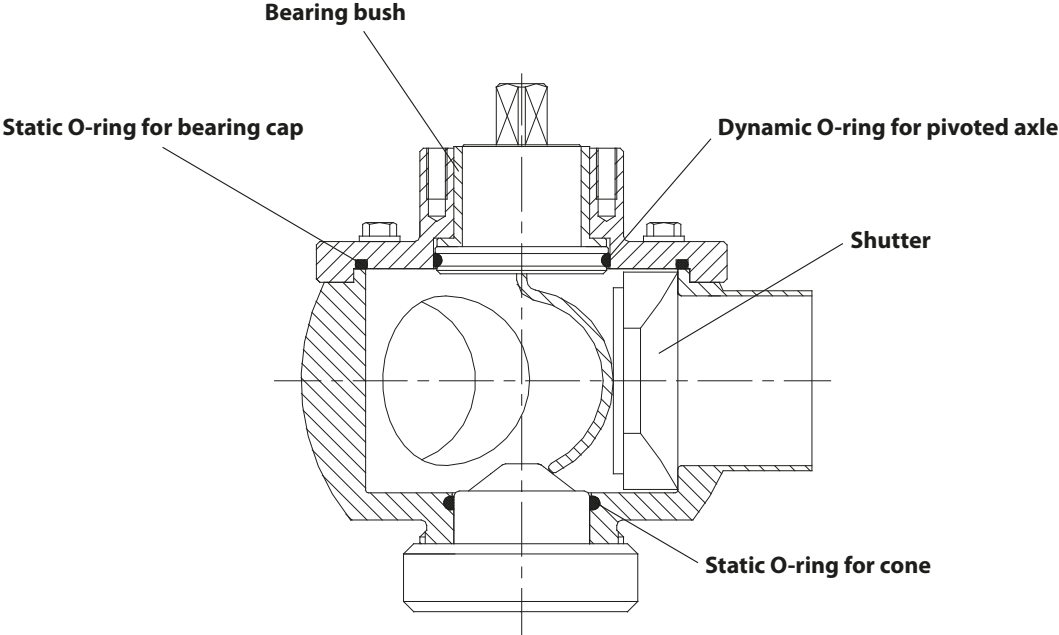


**LAUFER Free Flow Shutter Valve (Arc Valve) - chapter 2**



**LAUFER Pig Diverter Shutter Valve - chapter 3**



## SPARE PARTS AND ACCESSORIES

### O-ring set EPDM / FKM (Viton®)

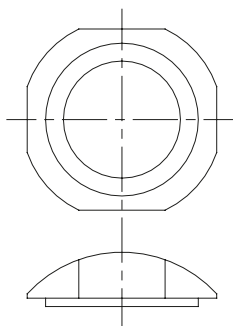
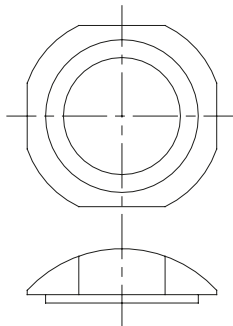
Consists of:

- 1x O-ring for pivoted axle\*
- 1x O-ring for bearing cap
- 1x O-ring for cone

### O-ring set FEP

Consists of:

- 1x O-ring for pivoted axle\*
- 1x O-ring for bearing cap
- 1x O-ring for cone



## For shutter valves - chapter 2 and 3

### EPDM O-ring set

VALVE SIZE inch (mm)	Type
1.00 (25.4)	25SD502S21E
1.50 (38.1)	38-40SD502S21E
2.00 (50.8)	50-51SD502S21E
2.50 (63.5)	63S502S21E
3.00 (76.2)	65-76SD502S21E
4.00 (101.6)	100-102SD502S21E
6.00 (152.4)	150D502E

### FKM (Viton®) O-ring set

VALVE SIZE inch (mm)	Type
1.00 (25.4)	25SD502S21V
1.50 (38.1)	38-40SD502S21V
2.00 (50.8)	50-51SD502S21V
2.50 (63.5)	63S502S21V
3.00 (76.2)	65-76SD502S21V
4.00 (101.6)	100-102SD502S21V
6.00 (152.4)	150D502V

### FEP O-ring set

VALVE SIZE inch (mm)	Type
1.00 (25.4)	25SD502S21FEP
1.50 (38.1)	38-40SD502S21FEP
2.00 (50.8)	50-51SD502S21FEP
2.50 (63.5)	63S502S21FEP
3.00 (76.2)	65-76SD502S21FEP
4.00 (101.6)	100-102SD502S21FEP
6.00 (152.4)	150D502FEP

### Dyneon™ TFM1600 shutter

VALVE SIZE inch (mm)	Type
1.00 (25.4)	25SD501T
1.50 (38.1)	38-40SD501T
2.00 (50.8)	50-51SD501T
2.50 (63.5)	63S501T
3.00 (76.2)	65-76SD501T
4.00 (101.6)	100-102SD501T
6.00 (152.4)	150D501T

### PTFE GL25 shutter (glass-fiber reinforced)

VALVE SIZE inch (mm)	Type
1.00 (25.4)	25SD501G
1.50 (38.1)	38-40SD501G
2.00 (50.8)	50-51SD501G
2.50 (63.5)	63S501G
3.00 (76.2)	65-76SD501G
4.00 (101.6)	100-102SD501G
6.00 (152.4)	upon request

### Techtron® shutter

VALVE SIZE inch (mm)	Type
1.00 (25.4)	25SD501H
1.50 (38.1)	38-40SD501H
2.00 (50.8)	50-51SD501H
2.50 (63.5)	63S501H
3.00 (76.2)	65-76SD501H
4.00 (101.6)	100-102SD501H

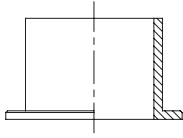
### Tecapeek® shutter

VALVE SIZE inch (mm)	Type
1.00 (25.4)	25SD501P
1.50 (38.1)	38-40SD501P
2.00 (50.8)	50-51SD501P
2.50 (63.5)	63S501P
3.00 (76.2)	65-76SD501P
4.00 (101.6)	100-102SD501P

\*Please note:

For shutter valves with "leakage control of the moving O-ring seal" (chapter 4.4), the O-ring set contains two O-rings for the pivoted axle.

## SPARE PARTS AND ACCESSORIES



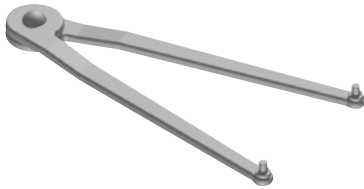
## For shutter valves - chapter 2 and 3

### Bearing bush POM (Polyacetal)

VALVE SIZE inch (mm)	Type
1.00 (25.4)	25SD503
1.50 (38.1)	38-80SD503
2.00 (50.8)	38-80SD503
2.50 (63.5)	38-80SD503
3.00 (76.2)	38-80SD503
4.00 (101.6)	100-102SD503
6.00 (152.4)	150D503

### Bearing bush Dyneon™ TFM1600

VALVE SIZE inch (mm)	Type
1.00 (25.4)	25SD503T
1.50 (38.1)	38-80SD503T
2.00 (50.8)	38-80SD503T
2.50 (63.5)	38-80SD503T
3.00 (76.2)	38-80SD503T
4.00 (101.6)	100-102SD503T
6.00 (152.4)	150D503T

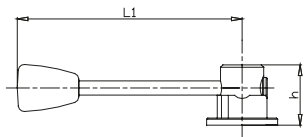


### Assembling tool for the pinch nut

VALVE SIZE inch (mm)	Type
1.00 (25.4)	25-150SL
1.50 (38.1)	25-150SL
2.00 (50.8)	25-150SL
2.50 (63.5)	25-150SL
3.00 (76.2)	25-150SL
4.00 (101.6)	25-150SL
6.00 (152.4)	25-150SL

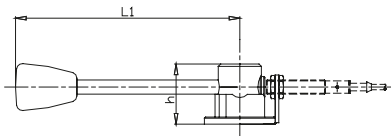
# SPARE PARTS AND ACCESSORIES

## For shutter valves - chapter 2 only



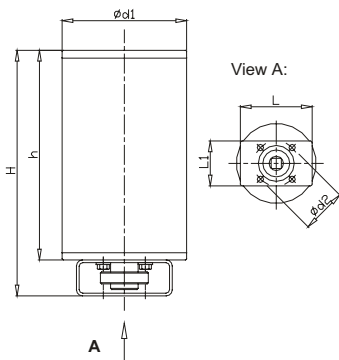
### Standard handle, 4 x 90°

VALVE SIZE inch (mm)	Type	L1	h
1.00 (25.4)	<b>25-40SD506-90</b>	6.30 (160)	2.01 (51)
1.50 (38.1)	<b>25-40SD506-90</b>	6.30 (160)	2.01 (51)
2.00 (50.8)	<b>50-63SD506-90</b>	7.48 (190)	2.01 (51)
2.50 (63.5)	<b>50-63SD506-90</b>	7.48 (190)	2.01 (51)
3.00 (76.2)	<b>65-80SD506-90</b>	7.48 (190)	2.01 (51)
4.00 (101.6)	<b>100-102SD506-90</b>	10.63 (270)	2.01 (51)
6.00 (152.4)	<b>150D506-90</b>	10.63 (270)	2.17 (55)



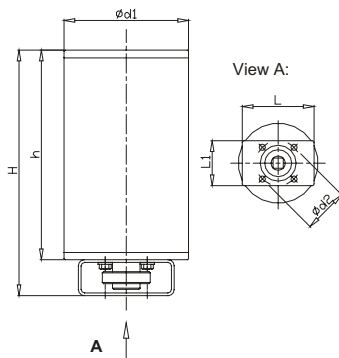
### Standard handle with feedback bracket M12, 0° - 90°

VALVE SIZE inch (mm)	Type	L1	h
1.00 (25.4)	<b>25-40SD506-90R</b>	6.30 (160)	2.01 (51)
1.50 (38.1)	<b>25-40SD506-90R</b>	6.30 (160)	2.01 (51)
2.00 (50.8)	<b>50-63SD506-90R</b>	7.48 (190)	2.01 (51)
2.50 (63.5)	<b>50-63SD506-90R</b>	7.48 (190)	2.01 (51)
3.00 (76.2)	<b>65-80SD506-90R</b>	7.48 (190)	2.01 (51)
4.00 (101.6)	<b>100-102SD506-90R</b>	10.63 (270)	2.01 (51)
6.00 (152.4)	<b>150D506-90R</b>	10.63 (270)	2.17 (55)



### Vertical pneumatic actuator (AISI304), double acting 0° - 90° (air/air)

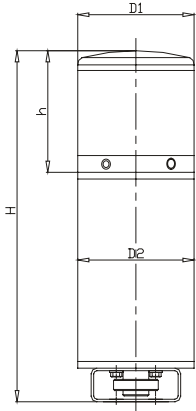
VALVE SIZE inch (mm)	Type	Ø d1	Ø d2	H	h	L	L1
1.00 (25.4)	<b>25-40KH002D</b>	3.50 (89)	1.97 (50)	8.07 (205)	6.89 (175)	3.15 (80)	1.97 (50)
1.50 (38.1)	<b>25-40KH002D</b>	3.50 (89)	1.97 (50)	8.07 (205)	6.89 (175)	3.15 (80)	1.97 (50)
2.00 (50.8)	<b>50-63KH004D</b>	4.09 (104)	1.97 (50)	8.07 (205)	6.89 (175)	3.15 (80)	1.97 (50)
2.50 (63.5)	<b>50-63KH004D</b>	4.09 (104)	1.97 (50)	8.07 (205)	6.89 (175)	3.15 (80)	1.97 (50)
3.00 (76.2)	<b>65-80KH006D</b>	5.08 (129)	1.97 (50)	10.24 (260)	9.06 (230)	3.15 (80)	2.76 (70)
4.00 (101.6)	<b>100-102KH006D</b>	5.08 (129)	2.76 (70)	10.24 (260)	9.06 (230)	3.15 (80)	2.76 (70)



### Vertical pneumatic actuator (AISI304), single acting 0°-90° (air/spring return)

VALVE SIZE inch (mm)	Type	Ø d1	Ø d2	H	h	L	L1
1.00 (25.4)	<b>25-40KH002S</b>	3.50 (89)	1.97 (50)	8.07 (205)	6.89 (175)	3.15 (80)	1.97 (50)
1.50 (38.1)	<b>25-40KH002S</b>	3.50 (89)	1.97 (50)	8.07 (205)	6.89 (175)	3.15 (80)	1.97 (50)
2.00 (50.8)	<b>50-63KH004S</b>	4.09 (104)	1.97 (50)	8.07 (205)	6.89 (175)	3.15 (80)	1.97 (50)
2.50 (63.5)	<b>50-63KH004S</b>	4.09 (104)	1.97 (50)	8.07 (205)	6.89 (175)	3.15 (80)	1.97 (50)
3.00 (76.2)	<b>65-80KH006S</b>	5.08 (129)	1.97 (50)	10.24 (260)	9.06 (230)	3.15 (80)	2.76 (70)
4.00 (101.6)	<b>100-102LKLA</b>	5.24 (133)	2.76 (70)	12.13 (308)	9.76 (248)	3.94 (100)	3.94 (100)

## SPARE PARTS AND ACCESSORIES



ASi or DeviceNet upon request

## For shutter valves - chapter 2 only

### Vertical pneumatic actuator (AISI304), double acting 0° - 90° (air/air) with control unit TOP

VALVE SIZE inch (mm)	Type	Ø D1	Ø D2	H	h
1.00 (25.4)	<b>25-40KH002D TOP</b>	4.02 (102)	3.50 (89)	12.44 (316)	4.37 (111)
1.50 (38.1)	<b>25-40KH002D TOP</b>	4.02 (102)	3.50 (89)	12.44 (316)	4.37 (111)
2.00 (50.8)	<b>50-63KH004D TOP</b>	4.02 (102)	4.09 (104)	12.44 (316)	4.37 (111)
2.50 (63.5)	<b>50-63KH004D TOP</b>	4.02 (102)	4.09 (104)	12.44 (316)	4.37 (111)
3.00 (76.2)	<b>65-80KH006D TOP</b>	4.02 (102)	5.08 (129)	14.61 (371)	4.37 (111)
4.00 (101.6)	<b>100-102KH006D TOP</b>	4.02 (102)	5.08 (129)	14.61 (371)	4.37 (111)

### Vertical pneumatic actuator (AISI304), single acting 0° - 90° (air/spring return) with control unit TOP

VALVE SIZE inch (mm)	Type	Ø D1	Ø D2	H	h
1.00 (25.4)	<b>25-40KH002S TOP</b>	4.02 (102)	3.50 (89)	12.44 (316)	4.37 (111)
1.50 (38.1)	<b>25-40KH002S TOP</b>	4.02 (102)	3.50 (89)	12.44 (316)	4.37 (111)
2.00 (50.8)	<b>50-63KH004S TOP</b>	4.02 (102)	4.09 (104)	12.44 (316)	4.37 (111)
2.50 (63.5)	<b>50-63KH004S TOP</b>	4.02 (102)	4.09 (104)	12.44 (316)	4.37 (111)
3.00 (76.2)	<b>65-80KH006S TOP</b>	4.02 (102)	5.08 (129)	14.61 (371)	4.37 (111)
4.00 (101.6)	<b>100-102LKLA TOP</b>	5.51 (140)	5.24 (133)	18.90 (480)	6.73 (171)

### Set of gaskets for vertical pneumatic actuator 0° - 90°

VALVE SIZE inch (mm)	Type	Used for actuator
1.00 (25.4)	<b>25-40KH002DS</b>	double acting / single acting
1.50 (38.1)	<b>25-40KH002DS</b>	double acting / single acting
2.00 (50.8)	<b>50-63KH004DS</b>	double acting / single acting
2.50 (63.5)	<b>50-63KH004DS</b>	double acting / single acting
3.00 (76.2)	<b>65-102KH006DS</b>	double acting / single acting
4.00 (101.6)	<b>65-102KH006DS</b>	double acting
4.00 (101.6)	<b>65-102LKLASK</b>	single acting

## SPARE PARTS AND ACCESSORIES



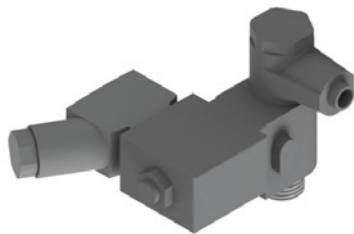
CE



CE



CE Ex



## For shutter valves - chapter 2 only

### Inductive proximity switch M12, plastic, 24V DC for vertical pneumatic actuator

VALVE SIZE inch (mm)	Type
1.00 (25.4)	25-102M55B
1.50 (38.1)	25-102M55B
2.00 (50.8)	25-102M55B
2.50 (63.5)	25-102M55B
3.00 (76.2)	25-102M55B
4.00 (101.6)	25-102M55B

### Inductive proximity switch M12, plastic, 20-250V AC for vertical pneumatic actuator

VALVE SIZE inch (mm)	Type
1.00 (25.4)	25-102M55C
1.50 (38.1)	25-102M55C
2.00 (50.8)	25-102M55C
2.50 (63.5)	25-102M55C
3.00 (76.2)	25-102M55C
4.00 (101.6)	25-102M55C

### Inductive proximity switch M12, metal, 24V DC for vertical pneumatic actuator

VALVE SIZE inch (mm)	Type
1.00 (25.4)	25-102M55BSt
1.50 (38.1)	25-102M55BSt
2.00 (50.8)	25-102M55BSt
2.50 (63.5)	25-102M55BSt
3.00 (76.2)	25-102M55BSt
4.00 (101.6)	25-102M55BSt

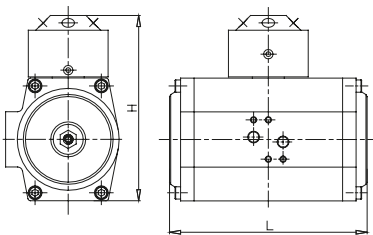
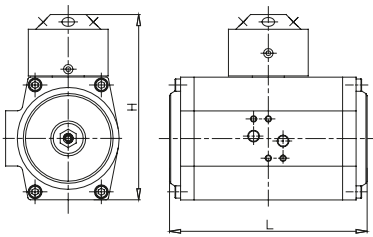
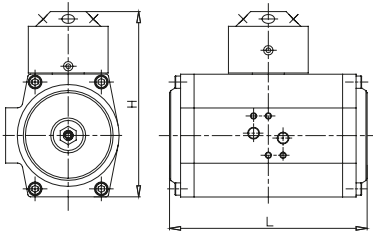
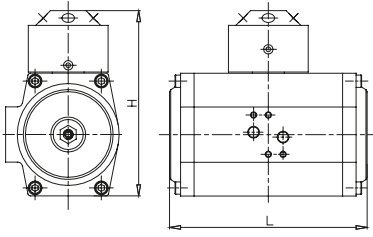
### Inductive proximity switch M12, metal, 8.2V DC for vertical pneumatic actuator, Ex

VALVE SIZE inch (mm)	Type
1.00 (25.4)	25-102M55ExSt
1.50 (38.1)	25-102M55ExSt
2.00 (50.8)	25-102M55ExSt
2.50 (63.5)	25-102M55ExSt
3.00 (76.2)	25-102M55ExSt
4.00 (101.6)	25-102M55ExSt

### 3/2 Solenoid valve with cable plug, for vertical pneumatic actuator

VALVE SIZE inch (mm)	Type		
1.00 (25.4)	25-63MVB24D	24V DC	G 1/8
	25-63MVB110A	110V AC	
	25-63MVB230A	230V AC	
1.50 (38.1)	25-63MVB24D	24V DC	G 1/8
	25-63MVB110A	110V AC	
	25-63MVB230A	230V AC	
2.00 (50.8)	25-63MVB24D	24V DC	G 1/8
	25-63MVB110A	110V AC	
	25-63MVB230A	230V AC	
2.50 (63.5)	25-63MVB24D	24V DC	G 1/8
	25-63MVB110A	110V AC	
	25-63MVB230A	230V AC	
3.00 (76.2)	65-102MVB24D	24V DC	G 1/4
	65-102MVB110A	110V AC	
	65-102MVB230A	230V AC	
4.00 (101.6)	65-102MVB24D	24V DC	G 1/4
	65-102MVB110A	110V AC	
	65-102MVB230A	230V AC	

## SPARE PARTS AND ACCESSORIES



## For shutter valves - chapter 2 only

### Horizontal pneumatic actuator (aluminium housing), double acting 0° - 90° (air/air)

VALVE SIZE inch (mm)	Type	L	H
1.00 (25.4)	<b>25-63KB50</b>	6.34 (161)	5.94 (151)
1.50 (38.1)	<b>25-63KB50</b>	6.34 (161)	5.94 (151)
2.00 (50.8)	<b>25-63KB50</b>	6.34 (161)	5.94 (151)
2.50 (63.5)	<b>25-63KB50</b>	6.34 (161)	5.94 (151)
3.00 (76.2)	<b>65-80KB50</b>	8.23 (209)	6.61 (168)
4.00 (101.6)	<b>100-102KB50</b>	8.23 (209)	6.61 (168)
6.00 (152.4)	<b>150KA50</b>	13.11 (333)	7.36 (187)

PTFE coated housing upon request

### Horizontal pneumatic actuator (aluminium housing), single acting 0° - 90° (air/spring return)

VALVE SIZE inch (mm)	Type	L	H
1.00 (25.4)	<b>25KB51</b>	6.34 (161)	5.94 (151)
1.50 (38.1)	<b>38-51KB51</b>	6.34 (161)	5.94 (151)
2.00 (50.8)	<b>38-51KB51</b>	6.34 (161)	5.94 (151)
2.50 (63.5)	<b>63-76KB51</b>	6.34 (161)	5.94 (151)
3.00 (76.2)	<b>63-76KB51</b>	8.23 (209)	6.61 (168)
4.00 (101.6)	<b>100-102KB51</b>	8.23 (209)	6.61 (168)

PTFE coated housing upon request

### Horizontal pneumatic actuator (aluminium housing), double acting 0° - 180° (air/air)

VALVE SIZE inch (mm)	Type	L	H
1.00 (25.4)	<b>25-63KB180</b>	9.25 (235)	5.94 (151)
1.50 (38.1)	<b>25-63KB180</b>	9.25 (235)	5.94 (151)
2.00 (50.8)	<b>25-63KB180</b>	9.25 (235)	5.94 (151)
2.50 (63.5)	<b>25-63KB180</b>	9.25 (235)	5.94 (151)
3.00 (76.2)	<b>65-80KB180</b>	12.24 (311)	6.61 (168)
4.00 (101.6)	<b>100-102KB180</b>	12.24 (311)	6.61 (168)
6.00 (152.4)	<b>150KB180</b>	17.64 (448)	8.31 (211)

PTFE coated housing upon request

### Horizontal 3-position pneumatic actuator (aluminium housing), double acting 0° - 90° - 180° (air/air)

VALVE SIZE inch (mm)	Type	L	H
1.00 (25.4)	<b>25-63KB52</b>	13.54 (344)	5.94 (151)
1.50 (38.1)	<b>25-63KB52</b>	13.54 (344)	5.94 (151)
2.00 (50.8)	<b>25-63KB52</b>	13.54 (344)	5.94 (151)
2.50 (63.5)	<b>25-63KB52</b>	13.54 (344)	5.94 (151)
3.00 (76.2)	<b>65-80KB52</b>	17.09 (434)	6.61 (168)
4.00 (101.6)	<b>100-102KB52</b>	17.09 (434)	6.61 (168)
6.00 (152.4)	<b>150KB52</b>	24.84 (631)	8.31 (211)

PTFE coated housing upon request

## SPARE PARTS AND ACCESSORIES



CE

## For shutter valves - chapter 2 only

### Inductive proximity switch (double sensor), 24V DC for horizontal pneumatic actuator

VALVE SIZE inch (mm)	Type
1.00 (25.4)	25-102M55
1.50 (38.1)	25-102M55
2.00 (50.8)	25-102M55
2.50 (63.5)	25-102M55
3.00 (76.2)	25-102M55
4.00 (101.6)	25-102M55
6.00 (152.4)	25-102M55

### Inductive proximity switch (double sensor), 20-250V AC for horizontal pneumatic actuator

VALVE SIZE inch (mm)	Type
1.00 (25.4)	25-102M55A
1.50 (38.1)	25-102M55A
2.00 (50.8)	25-102M55A
2.50 (63.5)	25-102M55A
3.00 (76.2)	25-102M55A
4.00 (101.6)	25-102M55A
6.00 (152.4)	25-102M55A



CE Ex

### Inductive proximity switch (double sensor), 8.2V DC for horizontal pneumatic actuator, Ex

VALVE SIZE inch (mm)	Type
1.00 (25.4)	25-102M55AT
1.50 (38.1)	25-102M55AT
2.00 (50.8)	25-102M55AT
2.50 (63.5)	25-102M55AT
3.00 (76.2)	25-102M55AT
4.00 (101.6)	25-102M55AT
6.00 (152.4)	25-102M55AT

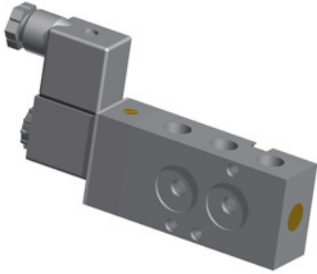


### Target puck for horizontal pneumatic actuator, 0° - 90° (180°)

VALVE SIZE inch (mm)	Type
1.00 (25.4)	25-150SN65
1.50 (38.1)	25-150SN65
2.00 (50.8)	25-150SN65
2.50 (63.5)	25-150SN65
3.00 (76.2)	25-150SN65
4.00 (101.6)	25-150SN65
6.00 (152.4)	25-150SN65



## SPARE PARTS AND ACCESSORIES



Consists of:  
2 x 5/2 solenoid valve  
1 x mounting plate  
incl. complete tubing

## For shutter valves - chapter 2 only

### 5/2 Solenoid valve with cable plug for horizontal pneumatic actuator

VALVE SIZE inch (mm)	Type		
1.00 (25.4)	25-102MVA24D	24V DC	G 1/4
	25-102MVA110A	110V AC	
	25-102MVA230A	230V AC	
1.50 (38.1)	25-102MVA24D	24V DC	G 1/4
	25-102MVA110A	110V AC	
	25-102MVA230A	230V AC	
2.00 (50.8)	25-102MVA24D	24V DC	G 1/4
	25-102MVA110A	110V AC	
	25-102MVA230A	230V AC	
2.50 (63.5)	25-102MVA24D	24V DC	G 1/4
	25-102MVA110A	110V AC	
	25-102MVA230A	230V AC	
3.00 (76.2)	25-102MVA24D	24V DC	G 1/4
	25-102MVA110A	110V AC	
	25-102MVA230A	230V AC	
4.00 (101.6)	25-102MVA24D	24V DC	G 1/4
	25-102MVA110A	110V AC	
	25-102MVA230A	230V AC	

### Control unit for horizontal 3-position pneumatic actuator

VALVE SIZE inch (mm)	Type		
1.00 (25.4)	25-102STV24D	24V DC	G 1/4
	25-102STV110A	110V AC	
	25-102STV230A	230V AC	
1.50 (38.1)	25-102STV24D	24V DC	G 1/4
	25-102STV110A	110V AC	
	25-102STV230A	230V AC	
2.00 (50.8)	25-102STV24D	24V DC	G 1/4
	25-102STV110A	110V AC	
	25-102STV230A	230V AC	
2.50 (63.5)	25-102STV24D	24V DC	G 1/4
	25-102STV110A	110V AC	
	25-102STV230A	230V AC	
3.00 (76.2)	25-102STV24D	24V DC	G 1/4
	25-102STV110A	110V AC	
	25-102STV230A	230V AC	
4.00 (101.6)	25-102STV24D	24V DC	G 1/4
	25-102STV110A	110V AC	
	25-102STV230A	230V AC	

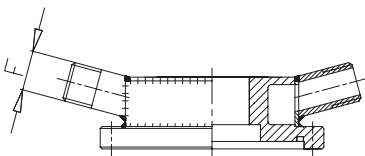
## SPARE PARTS AND ACCESSORIES

Consists of:

- 2 x piston guiding ring
- 2 x guiding segment
- 1 x slip ring "top"
- 1 x slip ring "bottom"

Consists of:

- 2 x gasket for cap
- 2 x O-ring "piston"
- 2 x O-ring "drive pinion"
- 2 x O-ring "adjusting screw"
- 1 x O-ring "inside end position adjustment"



**CSI** 417.831.1411  
csidesigns.com

## For shutter valves - chapter 2 only

### Set of wearing parts for horizontal pneumatic actuator

VALVE SIZE inch (mm)	Type
1.00 (25.4)	25-63W
1.50 (38.1)	25-63W
2.00 (50.8)	25-63W
2.50 (63.5)	25-63W
3.00 (76.2)	65-102W
4.00 (101.6)	65-102W

### O-ring set for horizontal pneumatic actuator

VALVE SIZE inch (mm)	Type
1.00 (25.4)	25-63OR
1.50 (38.1)	25-63OR
2.00 (50.8)	25-63OR
2.50 (63.5)	25-63OR
3.00 (76.2)	65-102OR
4.00 (101.6)	65-102OR

### Electro-pneumatic positioner for horizontal pneumatic actuator, 4-20mA / 24V DC

VALVE SIZE inch (mm)	Type
1.00 (25.4)	25-102SBE
1.50 (38.1)	25-102SBE
2.00 (50.8)	25-102SBE
2.50 (63.5)	25-102SBE
3.00 (76.2)	25-102SBE
4.00 (101.6)	25-102SBE
6.00 (152.4)	150SBE

### Heated bearing cap (water/steam)

VALVE SIZE inch (mm)	Type	F*
1.00 (25.4)	25SD505H	G 1/8
1.50 (38.1)	38-40SD505H	R 1/2
2.00 (50.8)	50-51SD505H	R 1/2
2.50 (63.5)	63S505H	R 1/2
3.00 (76.2)	65-76SD505H	R 1/2
4.00 (101.6)	100-102SD505H	R 1/2
6.00 (152.4)	150D505H upon request	R 1/2

\* according DIN EN 10226-1