

JACKETED TUBING & FITTINGS



CONSISTENT TEMPERATURE CONTROL AND GENTLE PRODUCT HANDLING

MATERIALS

- 304, 316L, AL-6XN®, or Hastelloy® C-22®
- Documentation options including Certificate of Conformance and MTR

FEATURES

- Uniquely designed annular media space that is consistent and uniform to enhance temperature transfer
- Variety of connection options including Tri-Clamp®, butt weld, and flange
- Allows for thermal expansion and contraction

VERSATILITY

- Designed for media temperatures ranging from 34°–205°F and product temperatures from 34°–300°F
- CSI's availability of standardized spools, elbows, tees, reducers, and other components make line configuration and future expansion easier

SIZES

- 1/2" to 6" product tube

REMOVABLE O-RING JACKET OPTION ALLOWS FOR:

- Reconfiguration for process changes
- Maintenance-friendly operation
- Easy internal inspection

APPLICATIONS

- Maintaining temperature in holding loops
- Shear sensitive products
- Candy and confection products
- Sauces and salsas
- Cosmetics and health care
- Pharmaceutical products and water systems
- Brine solutions



JACKETED TUBING & FITTINGS

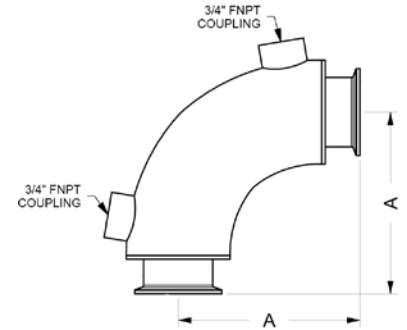
STANDARD TRI-CLAMP® DIMENSIONS

90° JACKETED ELBOW

ITEM # - MEDIA PORT POSITION

Product Line Size	Jacket Size	A	304L ID/OD Item #	316L ID/304L OD Item #
1/2	1-1/2	3.50	-	-
3/4	1-1/2	3.50	JKT0001	-
1	2	3.50	JKT0002	-
1-1/2	2-1/2	4.25	JKT0003	JKT1346
2	3	5.25	JKT0004	JKT0020
2-1/2	4	6.00	JKT0005	JKT0200
3	4	6.75	JKT0006	JKT0022
4	6	8.63	JKT0007	JKT0017

ALL DIMENSIONS ARE SHOWN IN INCHES.

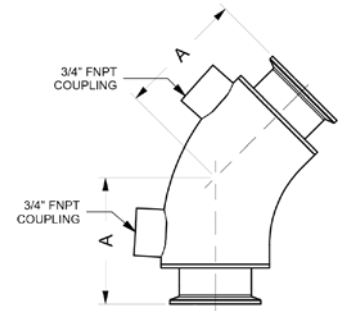


45° JACKETED ELBOW

ITEM # - MEDIA PORT POSITION

Product Line Size	Jacket Size	A	304L ID/OD Item #	316L ID/304L OD Item #
1/2	1-1/2	2.75	-	-
3/4	1-1/2	2.75	JKT0009	-
1	2	2.75	JKT0010	-
1-1/2	2-1/2	3.00	JKT0011	-
2	3	3.50	JKT0012	JKT0019
2-1/2	4	3.86	JKT0013	JKT0201
3	4	4.13	JKT0014	JKT0021
4	6	5.13	JKT0015	JKT0023

ALL DIMENSIONS ARE SHOWN IN INCHES.

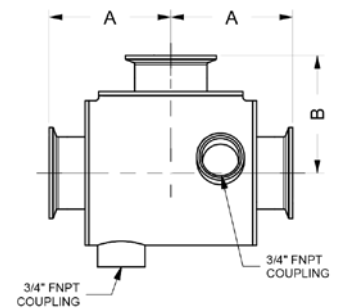


JACKETED TEE

ITEM # - MEDIA PORT POSITION

Product Line Size	Jacket Size	A	B	304L ID/OD Item #	316L ID/304L OD Item #
1/2	1-1/2	2.38	2.00	-	-
3/4	2	2.50	2.25	JKT0081	-
1	2-1/2	2.63	2.50	JKT0082	-
1-1/2	3	2.88	2.75	JKT0084	-
2	4	3.38	3.25	JKT0087	JKT0193
2-1/2	4	3.63	3.25	JKT0091	JKT0202
3	4	3.88	3.25	JKT0096	-
4	6	4.75	4.25	JKT0102	-

ALL DIMENSIONS ARE SHOWN IN INCHES.

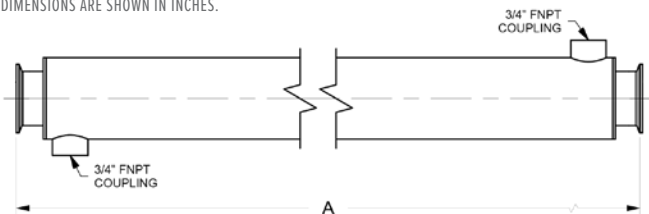


STRAIGHT JACKETED SPOOL

ITEM # - OAL REQUIRED

Product Line Size	Jacket Size	Range A	304L ID/OD Item #	316L ID/304L OD Item #
1/2	1-1/2	6 - 60	-	-
1/2	1-1/2	60.1 - 120	-	-
1/2	1-1/2	120.1 - 180	-	-
1/2	1-1/2	180.1 - 240	-	-
3/4	1-1/2	6 - 60	JKT1300	JKT1332
3/4	1-1/2	60.1 - 120	JKT1301	-
3/4	1-1/2	120.1 - 180	JKT1302	-
3/4	1-1/2	180.1 - 240	JKT1303	-
1	2	6 - 60	JKT1304	-
1	2	60.1 - 120	JKT1305	-
1	2	120.1 - 180	JKT1306	-
1	2	180.1 - 240	JKT1307	-
1-1/2	2-1/2	6 - 60	JKT1308	JKT1333
1-1/2	2-1/2	60.1 - 120	JKT1309	JKT1343
1-1/2	2-1/2	120.1 - 180	JKT1310	JKT1344
1-1/2	2-1/2	180.1 - 240	JKT1311	JKT1345
2	3	6 - 60	JKT1312	JKT1338
2	3	60.1 - 120	JKT1313	JKT1339
2	3	120.1 - 180	JKT1314	JKT1336
2	3	180.1 - 240	JKT1315	JKT1337
2-1/2	4	6 - 60	JKT1316	-
2-1/2	4	60.1 - 120	JKT1317	-
2-1/2	4	120.1 - 180	JKT1318	-
2-1/2	4	180.1 - 240	JKT1319	-
3	4	6 - 60	JKT1320	JKT1341
3	4	60.1 - 120	JKT1321	JKT1342
3	4	120.1 - 180	JKT1322	-
3	4	180.1 - 240	JKT1323	JKT1351
4	6	6 - 60	JKT 1324	JKT1334
4	6	60.1 - 120	JKT1325	JKT1340
4	6	120.1 - 180	JKT1326	-
4	6	180.1 - 240	JKT1327	JKT1350

ALL DIMENSIONS ARE SHOWN IN INCHES.

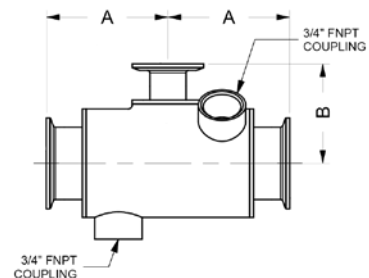


REDUCING JACKETED TEE

ITEM # - MEDIA PORT POSITION

Product Line Size	Jacket Size	A	B	304L ID/OD Item #	316L ID/304L OD Item #
3/4 X 1/2	1-1/2	2.50	2.00	-	-
1 X 1/2	2	2.63	2.25	-	-
1 X 3/4	2	2.63	2.25	JKT0083	-
1-1/2 X 1/2	2-1/2	2.88	2.50	-	-
1-1/2 X 3/4	2-1/2	2.88	2.50	JKT0085	-
1-1/2 X 1	3	2.88	2.75	JKT0086	-
2 X 1/2	3	3.38	2.75	-	-
2 X 3/4	3	3.38	2.75	JKT0089	-
2 X 1	3	3.38	2.75	JKT0090	-
2 X 1-1/2	4	3.38	3.25	JKT0088	-
2-1/2 X 1/2	4	3.63	3.25	-	-
2-1/2 X 3/4	4	3.63	3.25	JKT0092	-
2-1/2 X 1	4	3.63	3.25	JKT0093	-
2-1/2 X 1-1/2	4	3.63	3.25	JKT0094	-
2-1/2 X 2	4	3.63	3.25	JKT0095	-
3 X 1/2	4	3.88	3.25	-	-
3 X 3/4	4	3.88	3.25	JKT0101	-
3 X 1	4	3.88	3.25	JKT0100	-
3 X 1-1/2	4	3.88	3.25	JKT0099	-
3 X 2	4	3.88	3.25	JKT0098	-
3 X 2-1/2	4	3.88	3.25	JKT0097	-
4 X 1/2	6	4.75	4.25	-	-
4 X 3/4	6	4.75	4.25	-	-
4 X 1	6	4.75	4.25	JKT0107	-
4 X 1-1/2	6	4.75	4.25	JKT0106	-
4 X 2	6	4.75	4.25	JKT0105	-
4 X 2-1/2	6	4.75	4.25	JKT0104	-
4 X 3	6	4.75	4.25	JKT0103	-

ALL DIMENSIONS ARE SHOWN IN INCHES.



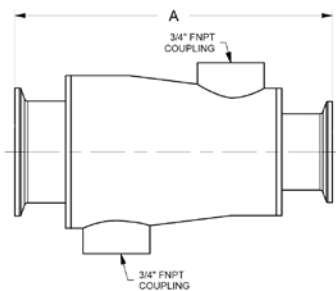
JACKETED TUBING & FITTINGS

STANDARD TRI-CLAMP® DIMENSIONS

CONCENTRIC JACKETED REDUCER

Product Line Size	Jacket Size	A	304L ID/OD Item #	316L ID/304L OD Item #
3/4 X 1/2	1-1/2	5.00	JKT0315	-
1 X 1/2	2	5.50	-	-
1 X 3/4	2	5.00	-	-
1-1/2 X 3/4	2-1/2 X 1-1/2	6.00	-	-
1-1/2 X 1	2-1/2 X 2	6.00	JKT0317	-
2 X 1	3 X 2	8.25	JKT0319	-
2 X 1-1/2	3 X 2-1/2	6.25	JKT0320	-
2-1/2 X 1-1/2	4 X 2-1/2	8.25	JKT0321	-
2-1/2 X 2	4 X 3	6.50	JKT0322	-
3 X 1-1/2	4 X 2-1/2	10.25	JKT0323	JKT0340
3 X 2	4 X 3	8.50	JKT0325	JKT0344
3 X 2-1/2	4	6.50	-	JKT0347
4 X 2	6 X 3	12.88	JKT0326	-
4 X 2-1/2	6 X 3	10.88	JKT0327	-
4 X 3	6 X 4	8.88	JKT0328	JKT0346

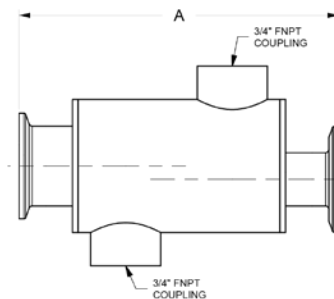
ALL DIMENSIONS ARE SHOWN IN INCHES.



ECCENTRIC JACKETED REDUCER

Product Line Size	Jacket Size	A	304L ID/OD Item #	316L ID/304L OD Item #
3/4 X 1/2	1-1/2	5.00	-	-
1 X 1/2	2	5.50	JKT0316	-
1 X 3/4	2	5.00	-	-
1-1/2 X 3/4	2-1/2	6.00	-	-
1-1/2 X 1	2-1/2	6.00	JKT0318	-
2 X 1	3	8.25	-	-
2 X 1-1/2	3	6.25	-	-
2-1/2 X 1-1/2	4	8.25	-	-
2-1/2 X 2	4	6.50	-	-
3 X 1-1/2	4	10.25	JKT0324	-
3 X 2	4	8.50	JKT0336	-
3 X 2-1/2	4	6.50	-	-
4 X 2	6	12.88	-	-
4 X 2-1/2	6	10.88	-	-
4 X 3	6	8.88	JKT0338	JKT0342

ALL DIMENSIONS ARE SHOWN IN INCHES.



ALL JACKETED COMPONENTS ARE AVAILABLE WITH OTHER PORT CONFIGURATIONS TO OPTIMIZE MEDIA VENTING AND CONCURRENT FLOW FOR AN EFFECTIVE PIPING SYSTEM LAYOUT.



CSIDESIGNS.COM | +1.417.831.1411 | SALES@CSIDESIGNS.COM
 SPRINGFIELD, MO | GRAND PRAIRIE, TX | DURHAM, NC | FRESNO, CA

