

**CSE** CHICAGO STAINLESS EQUIPMENT, INC.

**SANI-FLOW**

**HOMOGENIZER PRESSURE GAUGES**



Member of  
**fisa**  
Promoting Distribution  
Hygienic Processing

**QUALITY PRODUCTS SINCE 1937**  
[www.ChicagoStainless.com](http://www.ChicagoStainless.com)



# HOMOGENIZER PRESSURE GAUGES

Over 30 years of experience in designing and building Sanitary Pressure Gauges led us into engineering an exceptional gauge specifically for Homogenizer applications. The Sani-Flow Homogenizer Pressure Gauge has a Stainless Steel Diaphragm that maintains a sanitary, crevice free, easily cleansed surface. It is built to withstand the damaging effects of the high pressure pulsations that result during the Homogenizing Process, and function for many years with little to no maintenance. These gauges are available with many different Flange options to fit most Homogenizer machines. Our dedication to quality is not only evident in our products, but also in our customer service. CSE commits to offering the highest level of product and resources to every customer. We provide efficient, quick, and friendly service along with striving to build relationships with all of our partners.

## FEATURES

### **316L Stainless Steel Sanitary Fittings and Diaphragms**

*Assures maximum corrosion resistance while providing the most sanitary construction possible*

### **304L Stainless Steel Case**

*For durability even in the harshest environments*

### **Polycarbonate Lens**

*Ensures durability*

### **Waterproof Consutruction**

*Allows gauge to be submersed for cleaning*

### **Clean-in-place (CIP)**

*Can be cleaned in place for convenience and to eliminate the possibility of damage from mishandling*

### **Pressure Ranges**

*Available from 1,000 psi up to 15,000 psi..*

### **Unique Pulsation Dampening System**

*To insulate the gauge movement from the damaging effects of the high pressure pulsations that result during the Homogenizing Process, which would shorten the life of an ordinary pressure gauge.*

### **True Zero with Re-Zero Feature**

*Standard on all Sanitary Gauges*

### **Glycerin Fill**

*Standard to protect the gear mechanism against wear and vibration*

### **350°F Maximum Process Temperature (176°C)**

*With high temperature option*



# HOMOGENIZER PRESSURE GAUGES

## **SPECIFICATIONS**

### **TOLERANCES :**

<b>Compliance</b>	<i>3-A, Nema 4X, IP67</i>
<b>Accuracy</b>	<i>+/- 1.0% of Full Scale</i>
<b>Over Range Capability</b>	<i>30% Over Range</i>
<b>Repeatability</b>	<i>+/- 0.5% of Full Scale</i>
<b>Linearity</b>	<i>+/- 0.5% of Full Scale</i>
<b>Hysteresis</b>	<i>+/- 0.5% of Full Scale</i>
<b>Process Temperature Range</b>	<i>10° to 250°F (-12° to 121°C)*</i>
<b>Ambient Operating Limits</b>	<i>25° to 160°F (-4° to 71°C)</i>
<b>Ambient Storage Limits</b>	<i>0° to 250°F (-18° to 121°C)</i>

*\* High Temperature Option increases maximum process temperature to 350°F (176°C)*

### **CONSTRUCTION :**

<b>Product Contact Material</b>	<i>316L Stainless Steel</i>
<b>Product Contact Finish</b>	<i><math>aR_{max} = 25\mu\text{in}</math> (0.64<math>\mu\text{m}</math>)</i>
<b>Case and Lens Ring Material</b>	<i>304L Stainless Steel</i>
<b>Lens Material</b>	<i>3/8" Polycarbonate</i>
<b>Dial Face</b>	<i>5" Aluminum Printed with UV Inks (No Stickers)</i>
<b>Bourdon Tube</b>	<i>Stainless Steel</i>
<b>Re-Zero Adjustment</b>	<i>Standard on all Sanitary Gauges - 100% of Span</i>
<b>Standard Case Fill</b>	<i>99.5% USP Food Grade Glycerin*</i>
<b>Standard System Fill</b>	<i>99.5% USP Food Grade Glycerin*</i>
<b>Approximate Shipping Weight (with Flange)</b>	<i>5 Pounds (2.3 Kg)</i>
<b>Approximate Shipping Weight (without Flange)</b>	<i>7 Pounds (3.2 Kg)</i>

*\* Other fill options available - See website or contact us*





# HOMOGENIZER PRESSURE GAUGES

## OPTIONS

### AVAILABLE RANGES (PSI)

0 to 1,000      0 to 7,500  
0 to 2,500      0 to 10,000  
0 to 3,000      0 to 15,000  
0 to 5,000

\* Available in Single or Dual Scale

### OTHER AVAILABLE RANGES

BAR  
kg/cm<sup>2</sup>  
Megapascal  
Tons/Ft<sup>2</sup>  
Atmospheres

### AVAILABLE FITTINGS

APV Gaulin - No Flange  
APV Gaulin with 7/8" 2 Bolt Flange  
APV Gaulin with 1-1/8" 2 Bolt Flange  
Waukesha Fitting with 1/2" 4 Bolt Flange  
Waukesha Fitting with 3/4" 4 Bolt Flange  
Laboratory Homogenizer with 1.66" 2 Bolt Flange  
Niro/Soavi Fitting with 15/16" 2 Bolt Flange  
APV Rannie - No Flange  
Niro/Soavi Fitting - No Flange

### CASE FILL OPTIONS

Glycerin Fill \* Standard \*  
No Fill  
Mineral Oil Fill  
Silicone Fill  
Propylene Fill

### ADDITIONAL OPTIONS

Glass Lens  
Drag Pointer  
High Temperature Option  
Custom Color Ranged Dial Face  
Extra Dampening  
Stainless Steel Tag

Paper Tag  
Silicone System Fill  
Propylene Glycol System Fill  
High Visibility Dial Face - Yellow  
High Visibility Dial Face - Green

General Calibration Certificate  
Detailed Calibration Certificate  
Material Test Report  
Certificate of Conformity  
Animal Derived Ingredient Free Certificate

# CSE HOMOGENIZER PRESSURE GAUGES

**VISIT OUR WEBSITE**

[www.ChicagoStainless.com](http://www.ChicagoStainless.com)



**Configurators** ▼

Our website has an extremely user friendly configurator where you can build a product step by step exactly how your application may need.

**Products**

View our full product line.

**Find a Distributor**

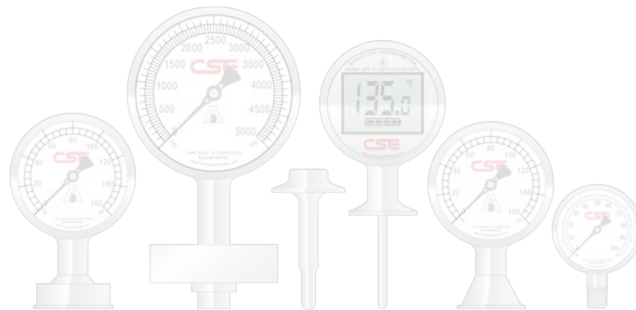
Use our CSE Distributor Locator for help locating a distributor in your area.

## CONTACT US

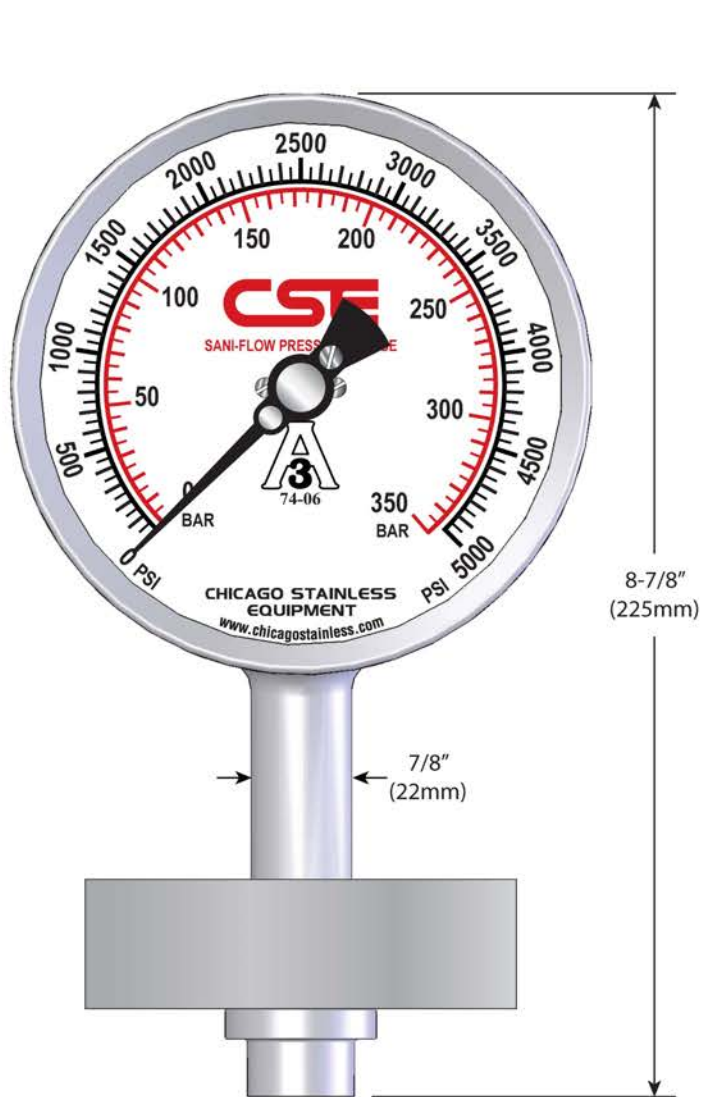
**Office Hours: Monday - Friday 8:00am to 5:00pm (EST)**

**Office Phone: 772-781-1441**

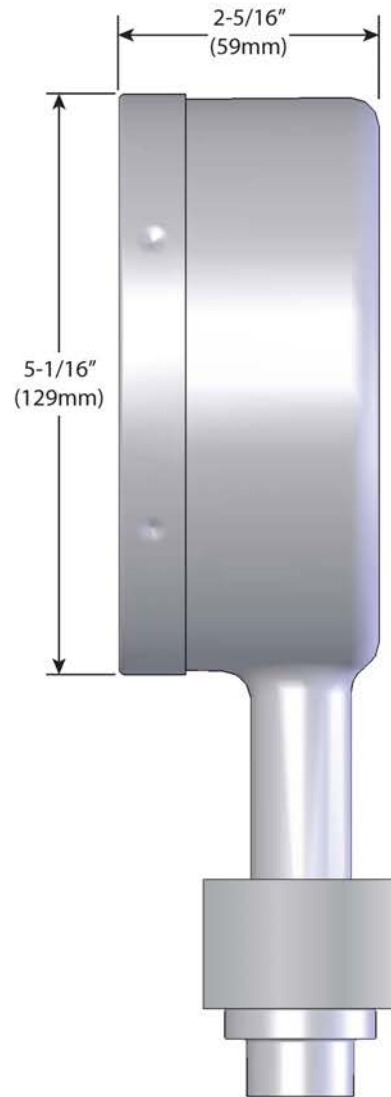
**Email: [Sales@ChicagoStainless.com](mailto:Sales@ChicagoStainless.com)**



**CSE**  
CHICAGO STAINLESS EQUIPMENT, INC.  
QUALITY PRODUCTS SINCE 1937



**FRONT VIEW**  
(Shown with 2 Bolt Flange)



**SIDE VIEW**  
(Shown with 2 Bolt Flange)