

**INSTA-FLOW**

**INDUSTRIAL PRESSURE  
GAUGES**



**QUALITY PRODUCTS SINCE 1937**

[www.ChicagoStainless.com](http://www.ChicagoStainless.com)



# CSE INDUSTRIAL PRESSURE GAUGES

Since 1937, Chicago Stainless Equipment has been manufacturing Sanitary Equipment for the food industry. We have taken these many years of experience and knowledge and applied it into the engineering and design of a pressure gauge that is *extremely* durable yet accurate. CSE's Industrial Pressure Gauges are constructed with an *all* stainless steel case, socket, tube and movement. This pressure gauge is perfect for process lines that need the hygienic aspect of stainless steel, without the cleanability that comes from a diaphragm on a Sanitary Pressure Gauge. All of our pressure gauges are built to withstand harsh environments and function for many years with little to no maintenance.

Our dedication to quality is not only evident in our products, but also in our customer service. CSE commits to offering the highest level of product and resources to every customer. We provide efficient, quick, and friendly service along with striving to build relationships with all of our partners.

## FEATURES

### **316L Stainless Steel Construction**

*On all wetted surfaces assures maximum corrosion resistance*

### **304L Stainless Steel Case**

*For durability even in the harshest environments*

### **Waterproof Construction**

*Allows gauge to be submersed for cleaning*

### **Clean-in-place (CIP)**

*Can be cleaned in place for convenience and to eliminate the possibility of damage from mishandling*

### **Pressure Ranges**

*Available from 15 psi up to 23,000 psi. Also available in vacuum ranges.*

### **Dial Face Sizes**

*Available in 2½", 4" or 6"*

### **True Zero**

*Standard on all gauges. The pointer is not pinned at zero and there is not a large zero block. This lets the operator know the pressure is truly zero and gives the most accurate pressure reading available.*

### **Re-Zero Feature**

*Optional on all gauges*

### **Glycerin Fill**

*Standard to protect the gear mechanism against wear and vibration*

### **176°F Maximum Process Temperature**

*-20° to 80°C*



## SPECIFICATIONS

### TOLERANCES :

<b>Accuracy (2½" Dial)</b>	<i>+/- 1.5% of Full Scale (Grade B)</i>
<b>Accuracy (4" Dial)</b>	<i>+/- 1% of Full Scale (Grade 1A)</i>
<b>Accuracy (6" Dial)</b>	<i>+/- 1% of Full Scale (Grade 1A)</i>
<b>Over-Range Capability</b>	<i>25% Over Range</i>
<b>Repeatability</b>	<i>+/- 0.5% of Full Scale</i>
<b>Linearity</b>	<i>+/- 0.5% of Full Scale</i>
<b>Hysteresis</b>	<i>+/- 0.5% of Full Scale</i>
<b>Process Temperature Range</b>	<i>-4° to 176°F (-20° to 80°C)</i>
<b>Ambient Operating Limits</b>	<i>-40° to 140°F (-40° to 60°C)</i>
<b>Ambient Storage Limits</b>	<i>-40° to 250°F (-40° to 121°C)</i>

### CONSTRUCTION :

<b>Available Dial Face Sizes</b>	<i>2½" (63mm), 4" (100mm), 6" (160mm)</i>
<b>Connection Type</b>	<i>1/4" &amp; 1/2" NPT Male</i>
<b>Compliance</b>	<i>3-A, Nema 4X, IP67, ISO 9001:2015</i>
<b>Product Contact Material</b>	<i>316L Stainless Steel</i>
<b>Case and Lens Ring Material</b>	<i>304L Stainless Steel</i>
<b>Standard Lens Material (2½")</b>	<i>Polycarbonate: 1/4" Thick (6.4mm)</i>
<b>Standard Lens Material (4")</b>	<i>Shatter-Resistant Laminated Glass</i>
<b>Standard Lens Material (6")</b>	<i>Shatter-Resistant Laminated Glass</i>
<b>Dial Face</b>	<i>Aluminum Printed with UV Inks (No Stickers)</i>
<b>Bourdon Tube</b>	<i>Phosphor Bronze</i>
<b>Re-Zero Adjustment</b>	<i>Optional - 100% of Span</i>
<b>Standard Case Fill</b>	<i>99.5% USP Food Grade Glycerin</i>
<b>Approximate Shipping Weight (2½")</b>	<i>1 Pound (0.5 Kg)</i>
<b>Approximate Shipping Weight (4")</b>	<i>2 Pounds (1.0 Kg)</i>
<b>Approximate Shipping Weight (6")</b>	<i>4 Pounds (1.8 Kg)</i>



# INDUSTRIAL PRESSURE GAUGES

## OPTIONS

### AVAILABLE RANGES (PSI)

0 to 15	30"Hg to 0
0 to 30	30"Hg to 15
0 to 60	30"Hg to 30
0 to 100	30"Hg to 60
0 to 160	30"Hg to 100
0 to 200	30"Hg to 150
0 to 300	30"Hg to 200
0 to 400	30"Hg to 300
0 to 600	
0 to 1,000	
0 to 1,500	
0 to 2,000	
0 to 3,000	
0 to 5,000	
0 to 6,000	
0 to 10,000	
0 to 14,500	6" Dial only
0 to 23,000	6" Dial only

\* Available in Single or Dual Scale

### OTHER AVAILABLE RANGES

- BAR
- kg/cm<sup>2</sup>
- Kilopascal
- Megapascal
- Tons/Ft<sup>2</sup>
- Atmospheres

### MOUNT STYLES

- Bottom Mount
- Center Back Mount 2½" and 4" Dial only
- Left Side Mount
- Right Side Mount
- Top Mount
- Front Flange Panel Mount 2½" and 4" Dial only

### AVAILABLE FITTINGS

- 1/2" NPT 4" and 6" Dial only
- 1/4" NPT 2½" and 4" Dial only

### CASE FILL OPTIONS

- Glycerin Fill \* *Standard* \*
- No Fill
- Mineral Oil Fill
- Silicone Fill
- Propylene Fill

### DIAL FACE SIZES

- 2½" (63mm)
- 4" (100mm)
- 6" (160mm)

### ADDITIONAL OPTIONS

- 2½" Glass Lens
- 4" Polycarbonate Lens
- 6" Polycarbonate Lens
- Custom Color Ranged Dial Face
- Re-Zero Feature (Polycarbonate Lens only)

- Paper Tag
- Stainless Steel Tag
- Oxygen Cleaned 3 piece minimum
- High Visibility Dial Face - Yellow
- High Visibility Dial Face - Green

- General Calibration Certificate
- Detailed Calibration Certificate
- Certificate of Conformity
- Animal Derived Ingredient Free Certificate



# INDUSTRIAL PRESSURE GAUGES

## VISIT OUR WEBSITE

[www.ChicagoStainless.com](http://www.ChicagoStainless.com)



**Configurators** ▼

Our website has an extremely user friendly configurator where you can build a product step by step exactly how your application may need.

**Products**

View our full product line.

**Find a Distributor**

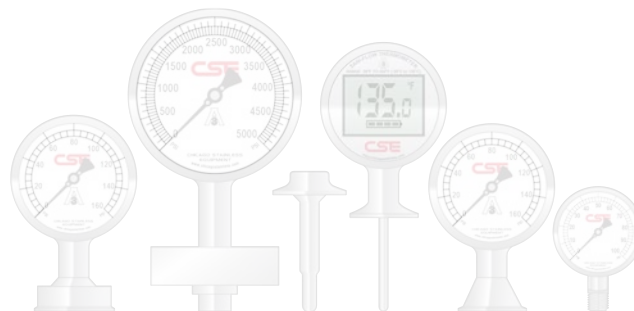
Use our CSE Distributor Locator for help locating a distributor in your area.

## CONTACT US

**Office Hours: Monday - Friday 8:00am to 5:00pm (EST)**

**Office Phone: 772-781-1441**

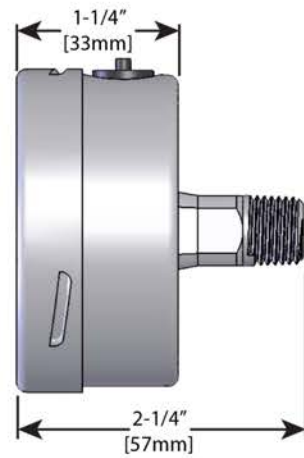
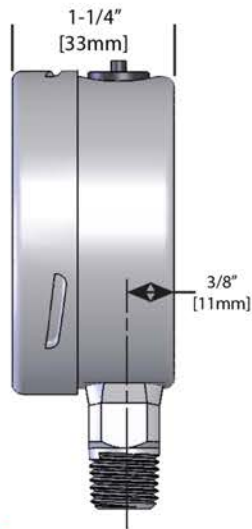
**Email: [Sales@ChicagoStainless.com](mailto:Sales@ChicagoStainless.com)**



**CHICAGO STAINLESS EQUIPMENT, INC.**  
*QUALITY PRODUCTS SINCE 1937*



**2-1/2" BOTTOM MOUNT**



**2-1/2" BACK MOUNT**



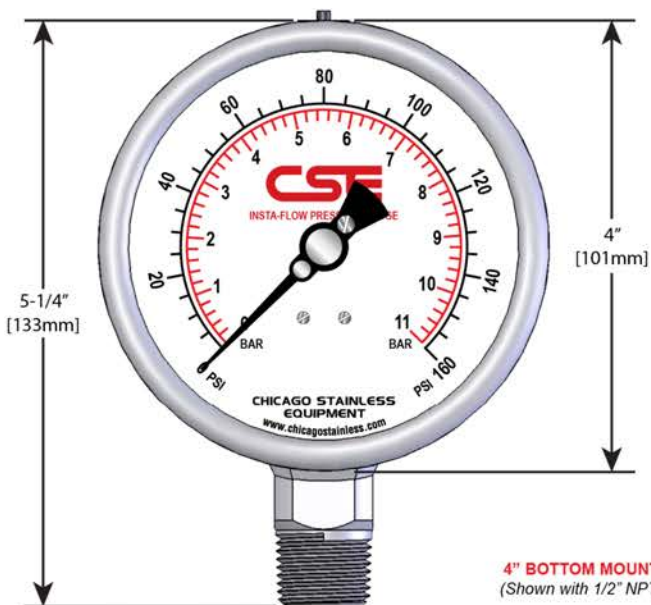
**2-1/2" LEFT SIDE MOUNT**



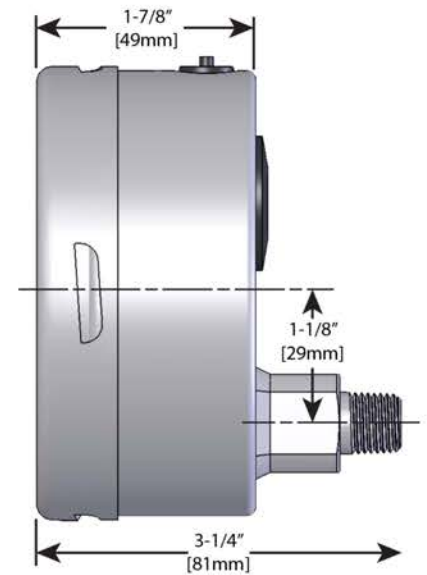
**2-1/2" TOP MOUNT**



**2-1/2" RIGHT SIDE MOUNT**



**4" BOTTOM MOUNT**  
(Shown with 1/2" NPT)



**4" BACK MOUNT**  
(Available with 1/4" NPT only)

