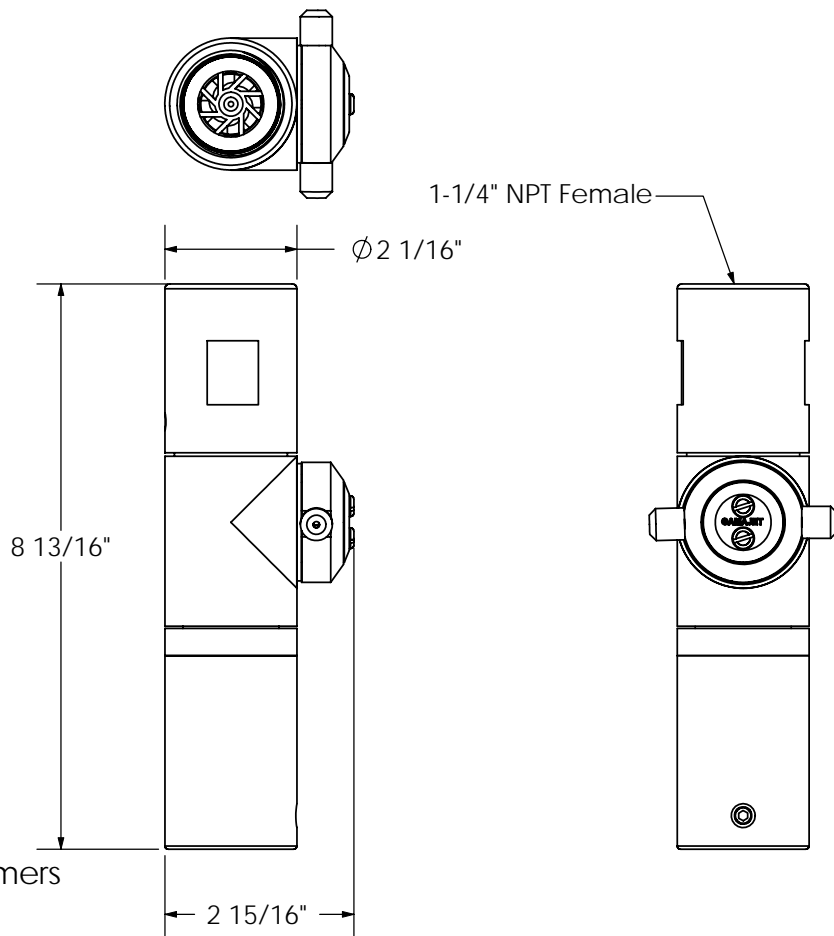


Short Nozzle Insertion Clearance (In.)			
		Dual	Triple
Free Hand	Best	3	3
	Worst	3	3
Fixed Center Line	Best	3-7/8	3-7/8
	Worst	3-7/8	3-7/8

Long Nozzle Insertion Clearance (In.)			
		Dual	Triple
Free Hand	Best	3	3-1/4
	Worst	3-7/16	3-3/16
Fixed Center Line	Best	3-7/8	4
	Worst	4-1/4	4-1/4

Notes:

- 316 SS, 18-8 Fasteners, Plastics, and Elastomers
- Weight: 7 lbs.
- Dual (Shown) and Triple Nozzle Available
- Short and Long (Shown) Nozzles Available
- Nozzle Sizes: range from .125" to .250"
- Flow Range: 10 to 40 GPM
- Pressure Range: 50 to 1200+ PSIG
- Min Full Wash Cycle: 8 minutes



THIS DRAWING IS THE PROPERTY OF GAMAJET CLEANING SYSTEMS, INC. REPRODUCTIONS AND USE OTHER THAN BORROWER'S AGREEMENT IS PROHIBITED. THIS DOCUMENT SHALL NOT BE LENT OR DISPOSED OF DIRECTLY OR INDIRECTLY NOR USED FOR ANY PURPOSE OTHER THAN THAT WHICH IS SPECIFICALLY FURNISHED.

DRAWN	DATE	Rev.	Description
BFG	06/28/00	1	New Drawing

UNLESS OTHERWISE SPECIFIED	
* DIMENSIONS ARE IN INCHES	
* [] DIMENSIONS ARE mm	
* DEBURR ALL SURFACES	
* FILLET RAD.: 0.015	
* TOLERANCES:	
XX ±0.01	
XXX ±0.005	
ANGLE ±0.5°	
MATERIAL:	Material
FINISH (UNLESS OTHERWISE SPECIFIED):	??? Ra
SCALE:	Full

GAMAJET CLEANING SYSTEMS, INC.	
604 Jeffers Circle Exton, PA 19341-2524	
TITLE	Three View Marketing
EQUIPMENT	Gamajet V
DWG. NO.	---
	SHEET 1 OF 1