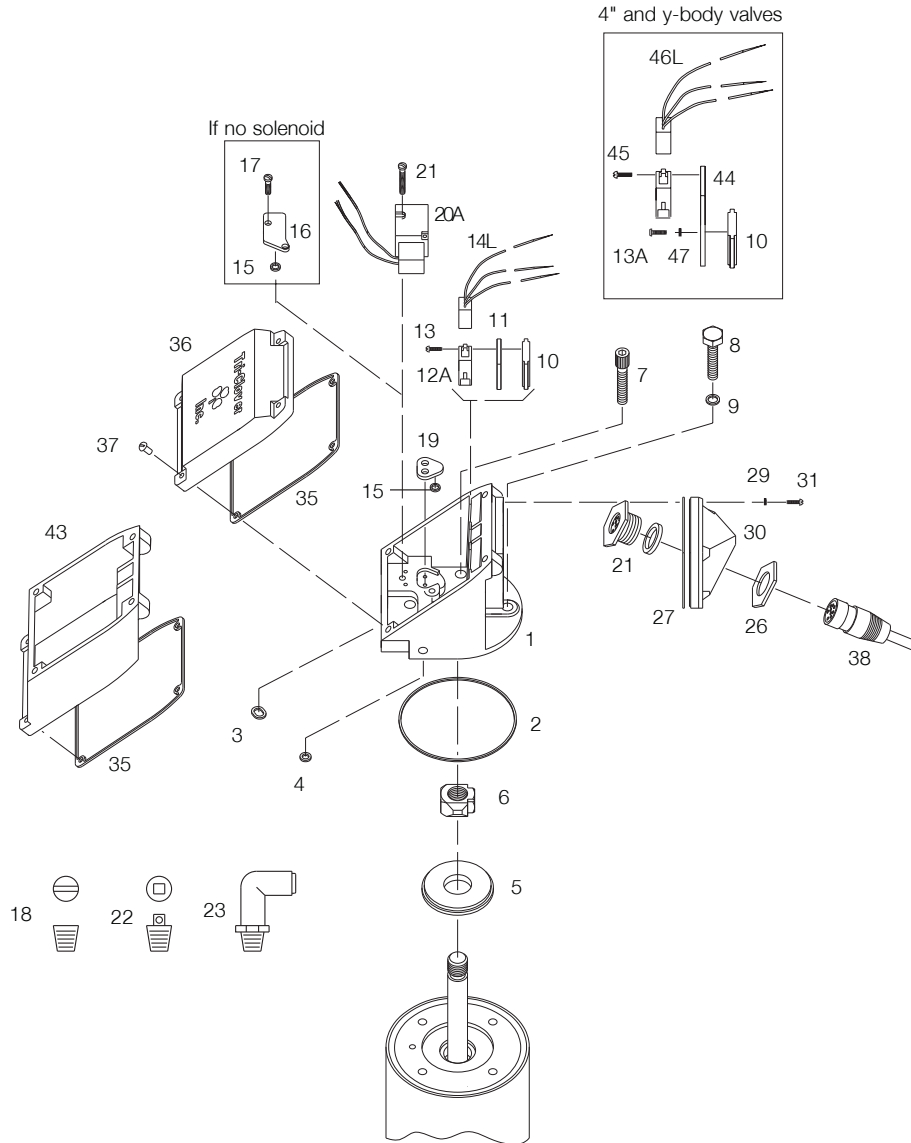




Green Top Control Housings

2





Pos.	Qty.	Denomination	Item No.
1	1	Base	751405
2	1	O-ring	755472
3	1	O-ring	755388
4	1	O-ring	755422
5	1	Packing retainer	751659
6	1	Stem guide (limit switch)	763740
6A	1	Stem guide (proximity switch)	761620
7	3	Screw	180352
8	1	Screw	180701
9	1	Lockwasher	189962
10	1 OR 2	Mounting block	763724
11	1 OR 2	Spacer block	763725
12A	1 OR 2	Micro switch	768263
12B	1 OR 2	Proximity switch (w/harness)	762162
12C	1 OR 2	Proximity switch (w/o harness)	761360
13	2 OR 4	Screw	180489
13A	3	Screw (4" only)	180183
14L	1 OR 2	Left wire harness	761895
14R	1 OR 2	Right wire harness	761903
15	3 OR 4	O-ring	751540
16	1	Stop block (w/o solenoid)	763723
17	2	Screw (w/o solenoid)	180277
18	1,2 OR 3	Plug	751541
19	1	Selector block (w/solenoid)	763722
20A	1	24VDC solenoid	762168
20B	1	110 VAC solenoid	762169
20C	1	24 VAC solenoid	762269
21	2	Screw (w/solenoid)	180675
22	1	Vent plug	181256
23	1	Poly.Flo elbow	766009
24	1	Poly-Flo (N/C valve)	765006
26	1	Electrical connector	761916
27	1	Rear cover gasket	751277
29	4	O-ring	751806
30	1	Back cover	761204
31	4	Screw	180118
34	4	Screw	189492
35	1	Front cover gasket	751266
36	1	Cover	751310
37	4	Screw	180599
38	1	Cable assembly	761879
40	1	Pressure relief	751458
42	1	Cable clamp (4" only - not shown)	755138
43	1	Base extension	750151
44	1	Spacer block	760605
45	1	Screw	180489
46L	1	Wire harness	761906
47	3	Lockwasher	189985
48	1	Ground strap (not shown)	761506
49	1	Stem adapter (1" only - not shown)	760828