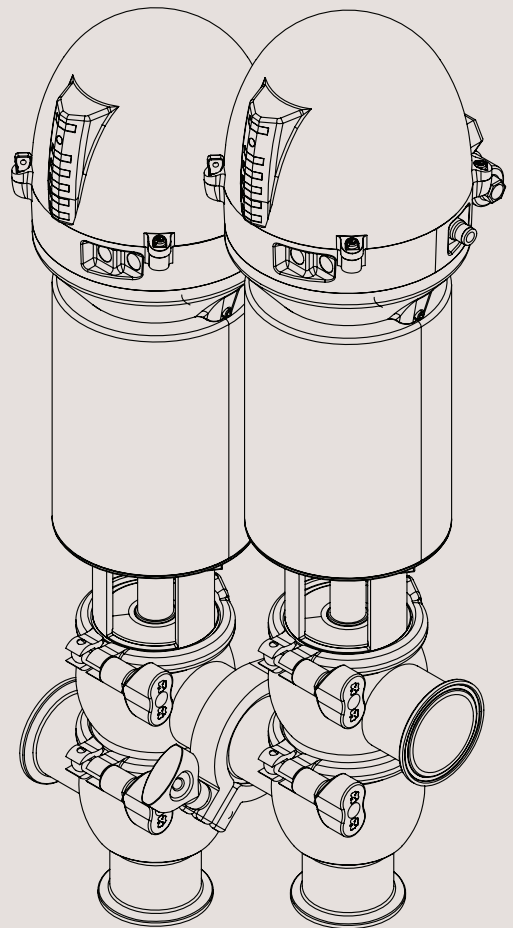
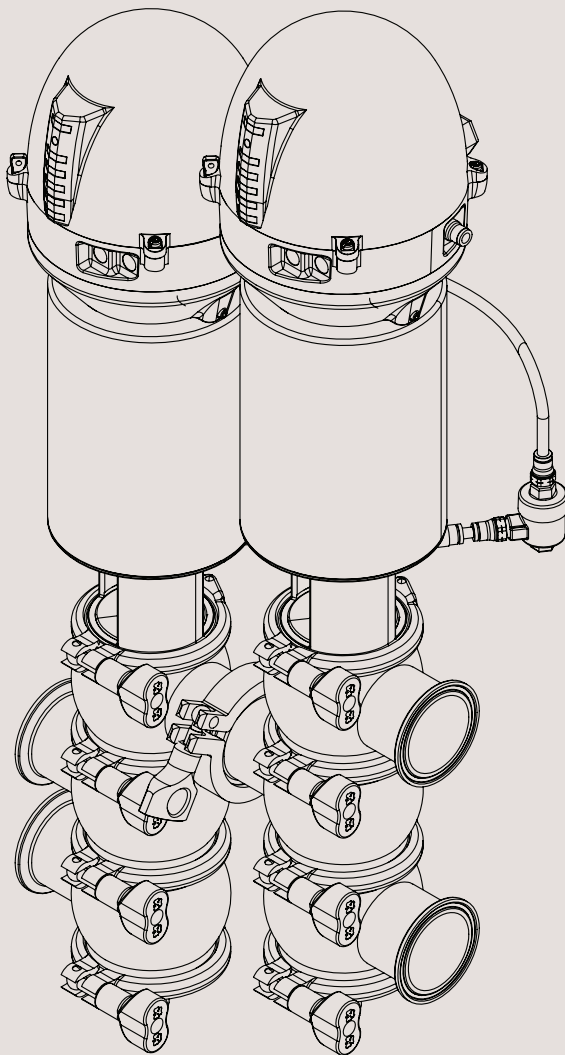


## Spare Parts

### Unique 7000 Flo-Diversion Valve



-ENUS2 2017-06

Original manual



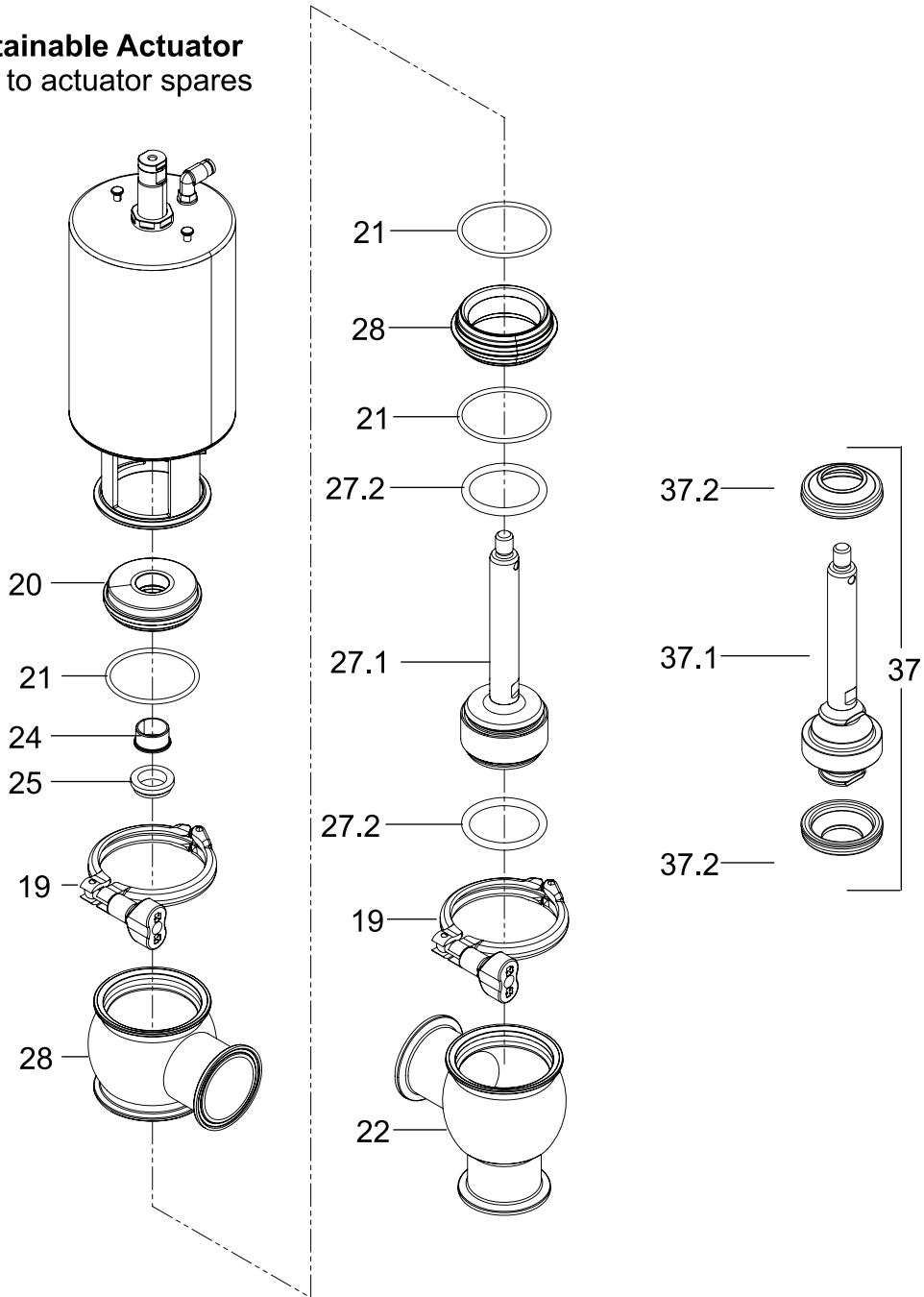
---

*The information herein is correct at the time of issue but may be subject to change without prior notice*

- 1. Unique 7000 Standard Flo-Diversion Valve ..... 4
- 2. Unique 7000 Reverse Acting Flo-Diversion Valve ..... 6
- 3. Unique 7000 Standard Flo-Diversion Valve Maintainable Actuator ..... 8
- 4. Unique 7000 Standard Flo-Diversion Valve ThinkTop ..... 10



**Maintainable Actuator**  
Refer to actuator spares



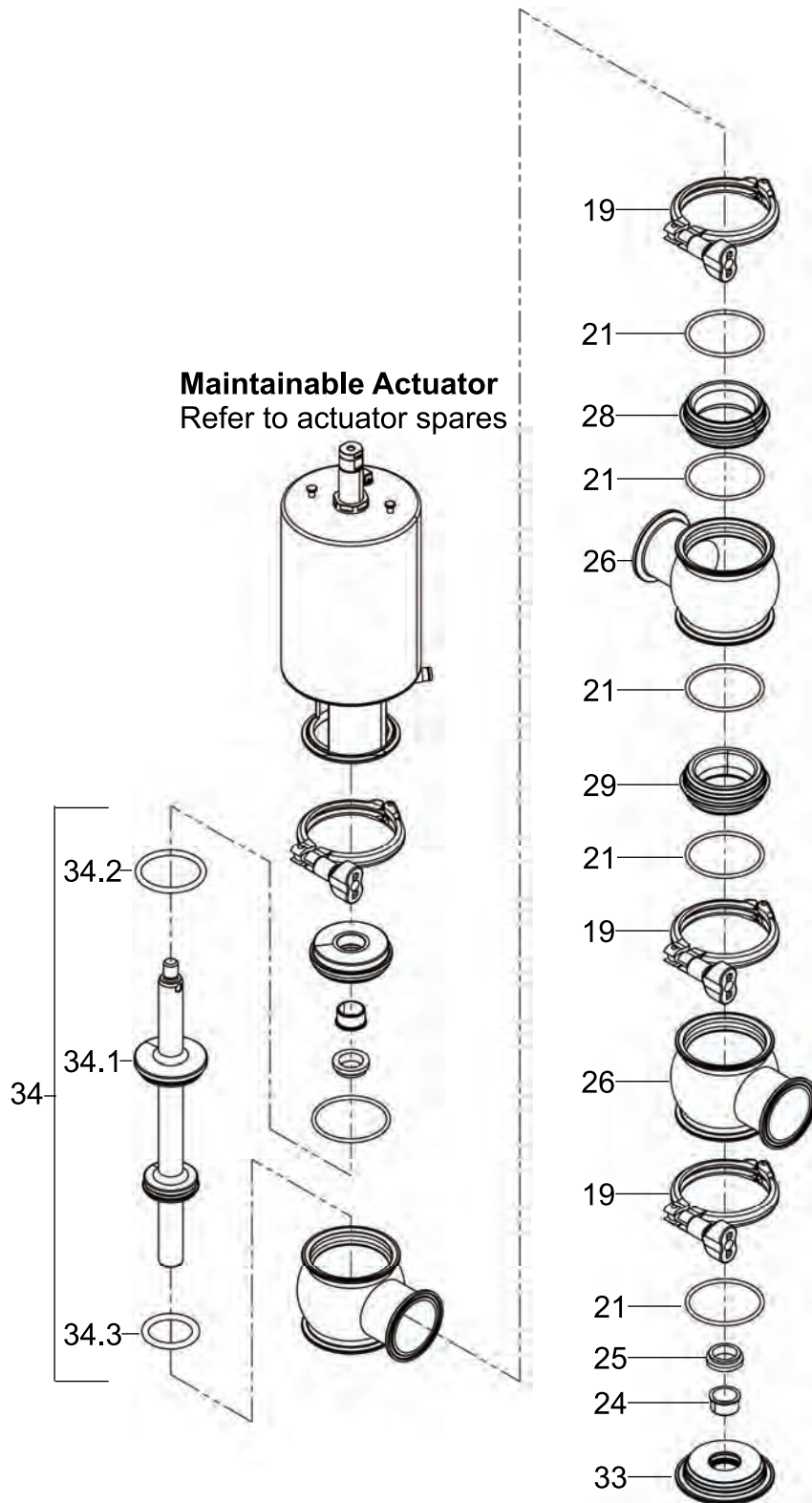
# Unique 7000 Standard Flo-Diversion Valve

Pos	Qty	Denomination	1 1/2"	2"	2 1/2"	3"
19	2	Clamp	9612939316	9612939317	9612939318	9612939319
20	1	Bonnet	9613127102	9613127103	9613127104	9613127105
21 □	3	O-Ring, EPDM				
	3	O-Ring, HNBR				
	3	O-Ring, FPM				
		O-Ring, Set (10 pcs.), EPDM	9614059422	9614059425	9614059428	9614059431
		O-Ring, Set (10 pcs.), HNBR	9614059423	9614059426	9614059429	9614059432
		O-Ring, Set (10 pcs.), FPM	9614059424	96140594267	9614059430	9614059433
24	1	Bushing	9613125002	9613125002	9613125002	9613125002
25 □	2	Lip Seal, EPDM				
	2	Lip Seal, HNBR				
	2	Lip Seal, FPM				
		Lip Seal, Set (10 pcs.), EPDM				
		Lip Seal, Set (10 pcs.), HNBR				
		Lip Seal, Set (10 pcs.), FPM				
28	1	Seat, Upper	9613127502	9613127503	9613127504	9613127505
26	1	Valve Body, Upper, 1 port, clamp	9634095550	9613161505	9613161507	9613161509
22	1	Valve Body, Lower, 2 port, clamp	9634095549	9613161505	9613161507	9613161509
27	1	Valve Plug - Elastomer (STD), ISO, complete, EPDM	9613127702	9613127703	9613127704	9613127705
	1	Valve Plug - Elastomer (STD), ISO, complete, HNBR	9613127714	9613127153	9613127716	9613127717
	1	Valve Plug - Elastomer (STD), ISO, complete, FPM	9613127726	9613127127	9613127728	9613127729
27.1	1	Valve Plug - Elastomer (STD), ISO	9613140002	9613140003	9613140004	9613140005
27.2 □	2	Valve Plug - Elastomer seal, EPDM				
	2	Valve Plug - Elastomer seal, HNBR				
	2	Valve Plug - Elastomer seal, FPM				
		Valve Plug - Elastomer seal, set (10 pcs.) EPDM	9614059404	9614059407	9614059410	9614059413
		Valve Plug - Elastomer seal, set (10 pcs.) HNBR	9614059405	9614059408	9614059411	9614059414
		Valve Plug - Elastomer seal, set (10 pcs.) FPM	9614059406	96140594089	9614059412	9614059415
37	1	Valve Plug - TR2 (Optional) Complete	9613155502	9613155503	9613155504	9613155505
37.1	1	Valve Plug - TR2 (Optional)	9613155401	9613155502	9613155403	9613155404
37.2 □	2	Valve Plug Seal, PTFE TR2				
		Valve Plug seal, set (10 pcs.) PTFE TR2	9614059449	9614059450	9614059451	9614059452

Parts marked with □ are included in the service kits.

		1 1/2"	2"	2 1/2"	3"
□	<b>Service Kit, EPDM</b>	9611926580	9611926581	9611926582	9611926583
□	<b>Service Kit, HNBR</b>	9611926586	9611926587	9611926588	9611926590
□	<b>Service Kit, FPM</b>	9611926592	9611926593	9611926594	9611926595
□	<b>Service Kit, TR2 W/EPDM</b>	9611926633	9611926634	9611926635	9611926636
□	<b>Service Kit, TR2 W/HNBR</b>	9611926638	9611926639	9611926640	9611926641
□	<b>Service Kit, TR2 W/FPM</b>	9611926643	9611926644	9611926645	9611926646





Unique 7000 Reverse Acting Flo-Diversion Valve

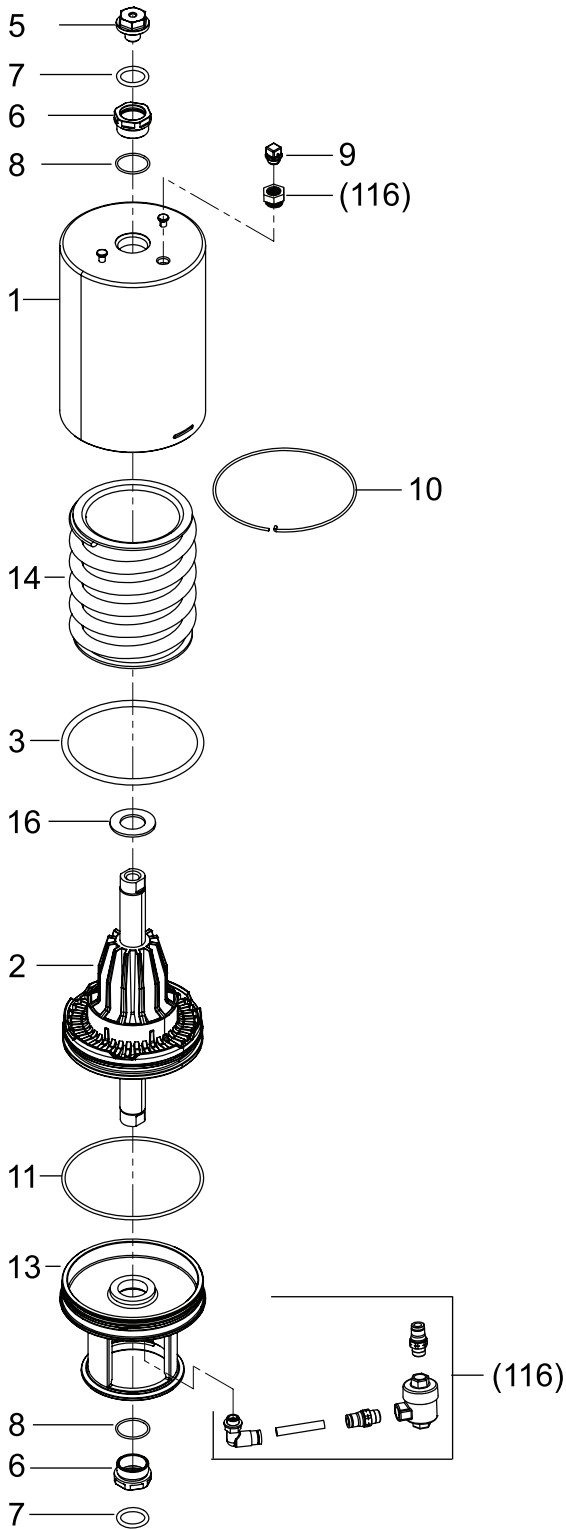
Pos	Qty	Denomination	1 1/2"	2"	2 1/2"	3"
19	4	Clamp	9612939317	9612939318	9612939319	9612939320
20	1	Upper Bonnet	9613127103	9613127104	9613127105	9613127106
21	6	Bonnet O-ring, EPDM				
	6	Bonnet O-ring, HNBR				
	6	Bonnet O-ring, FPM				
		Bonnet O-ring, set (10 pcs.), EPDM	9614059425	9614059428	9614059431	9614059434
		Bonnet O-ring, set (10 pcs.), HNBR	9614059426	9614059429	9614059432	9614059435
		Bonnet O-ring, set (10 pcs.), FPM	9614059427	9614059430	9614059433	9614059436
24	2	Bonnet Bushing	9613125002	9613125002	9613125002	9613125002
25	2	Bonnet Lip Seal, EPDM				
	2	Bonnet Lip Seal, HNBR				
	2	Bonnet Lip Seal, FPM				
		Bonnet Lip Seal, Set (10 pcs.), EPDM	9614059419	9614059419	9614059419	9614059419
		Bonnet Lip Seal, Set (10 pcs.), HNBR	9614059420	9614059420	9614059420	9614059420
		Bonnet Lip Seal, Set (10 pcs.), FPM	9614059421	9614059421	9614059421	9614059421
33	1	Lower Bonnet	9634092101	9634092102	9634092103	9634092104
28	1	Seat, Upper	9613127503	9613127504	9613127505	9613127506
29	1	Seat, Lower	9634092001	9634092002	9634092003	9634092004
26	3	Valve Body, upper, 1 port, clamp	9613161505	9613161507	9613161509	9613161511
	3	Valve Body, tangential, upper, 1 port, clamp	9613169002	9613169004	9613169006	9613169008
34	1	Valve Plug, RA-FDV, complete, EPDM	9614258701	9614258702	9614258703	9614258704
	1	Valve Plug, RA-FDV, complete, HNBR	9614258705	9614258706	9614258707	9614258708
34.1	1	Valve Plug, RA-FDV	9634091101	9634091102	9634091103	9634091104
34.2	1	Valve Plug seal, Upper, EPDM				
	1	Valve Plug seal, Upper, HNBR				
	1	Valve Plug seal, Upper, FPM				
	1	Valve Plug seal, Upper, set (10 pcs.), EPDM	9614059407	9614059410	9614059413	9614059416
	1	Valve Plug seal, Upper, set (10 pcs.), HNBR	9614059408	9614059411	9614059414	9614059417
	1	Valve Plug seal, Upper, set (10 pcs.), FPM	9614059409	9614059412	9614059415	9614059418
34.3	1	Plug seal, Lower, EPDM				
	1	Plug seal, Lower, HNBR				
	1	Plug seal, Lower, FPM				
	1	Plug seal, Lower, set (10 pcs.), EPDM	9614059404	9614059407	9614059410	9614059413
	1	Plug seal, Lower, set (10 pcs.), HNBR	9614059405	9614059408	9614059411	9614059414
	1	Plug seal, Lower, set (10 pcs.), FPM	9614059406	9614059409	9614059412	9614059415

Parts marked with □ are included in the service kits.

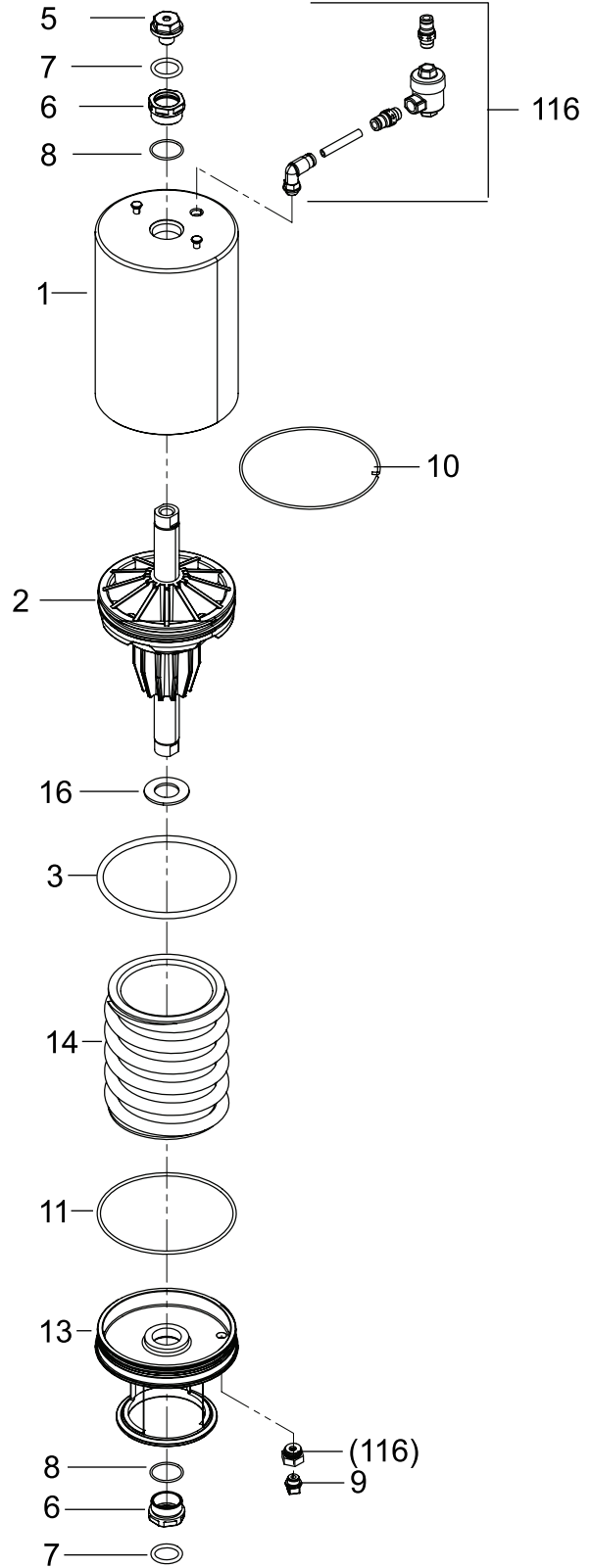
- O-ring - order position numbers 21 in 10 pcs. sets, according to valve size and elastomer type as listed above
- Lip Seal - order position numbers 25 in 10 pcs. sets, according to valve size and elastomer type as listed above
- Plug Seal, Upper - order position numbers 34.2 in 10 pcs. sets, according to valve size and elastomer type as listed above
- Plug Seal, Lower - order position numbers 34.3 in 10 pcs. sets, according to valve size and elastomer type as listed above



**Failed Closed Actuator for Reverse Acting Exploded View**



**Failed Open Actuator for Standard Exploded View**





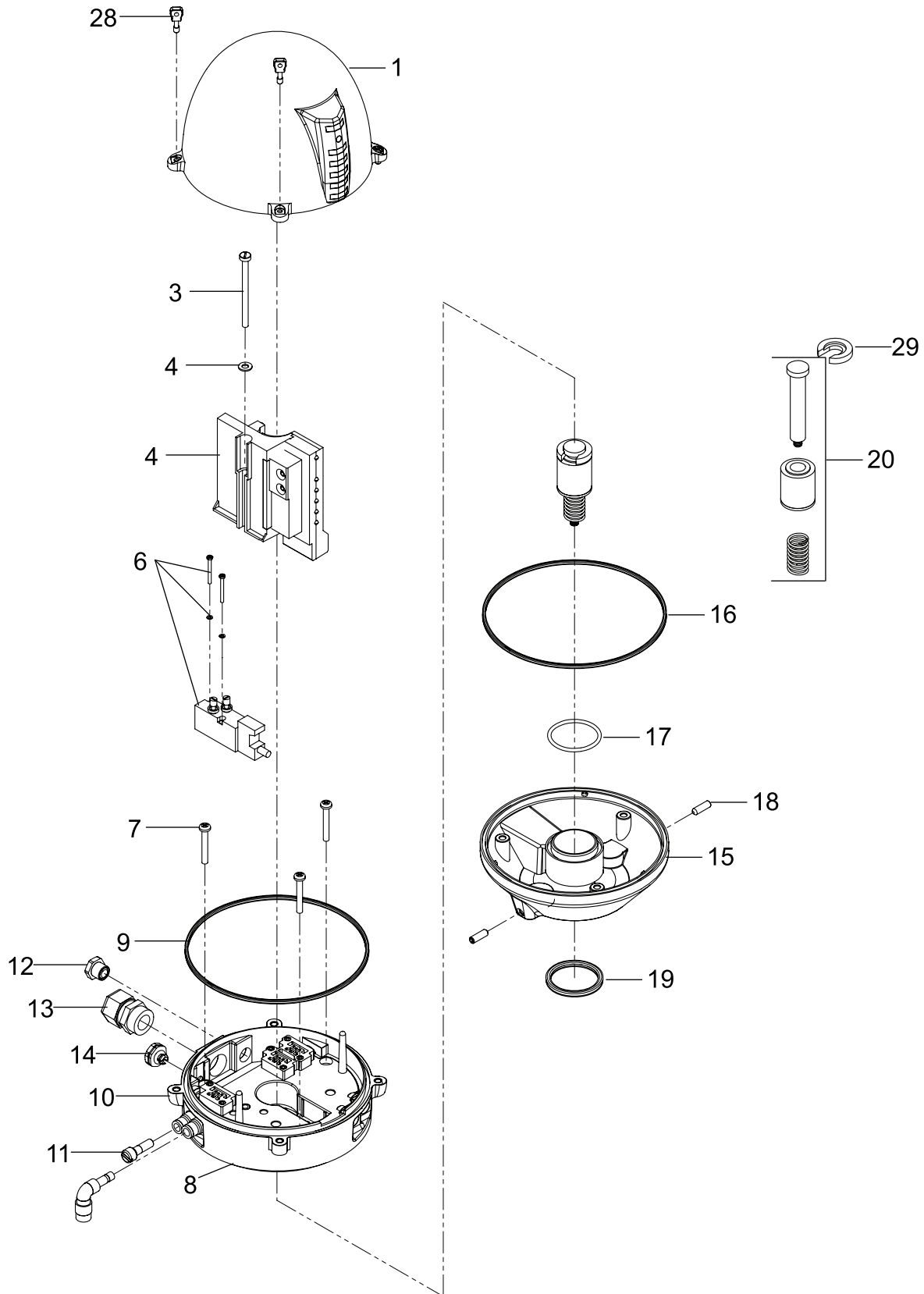
# Unique 7000 Standard Flo-Diversion Valve Maintainable Actuator

Pos	Qty	Denomination	1 1/2"	2"	2 1/2"	3"	4"
		Actuator Complete (Normally Closed) .....	NA	9634093801	9634093802	9634093803	9634093804
		Actuator Complete (Normally Opened) .....	9634093805	9634093806	9634093807	9634093808	NA
1	1	Cylinder, (polished) .....	9615220404	9615220405	9615220405	9615220406	9615220406
2	1	Piston .....	9613132201	9613132301	9613132301	9613132401	9613132401
3	□	O-ring .....					
5	1	Adapter, steel .....	9614065301	9614065301	9614065301	9614065301	9614065301
6	□	Bushing .....					
7	□	O-ring .....					
8	□	O-ring .....					
9	1	Plug .....	9613414101	9613414101	9613414101	9613414101	9613414101
10	1	Lock wire .....	9613143201	9613143202	9613143202	9613143203	9613143203
11	□	O-ring .....					
116	1	Kit, Quick Exhaust .....	9615228201	9615228201	9615228201	9615228201	9615228201
14	1	Spring assembly .....	9613132501	9613132502	9613132502	9613132503	9613132503
15	1	Bottom .....	9615220501	9615220502	9615220502	9615220503	9615220503
16	□	Support disc .....					
13	1	Yoke .....	9613154301	9613154402	9613154502	9613154603	9613154703

Parts marked with □ are included in the service kits.

		1 1/2"	2"	2 1/2"	3"	4"
□	<b>Service kit, NO , NC. ....</b>	<b>9611926497</b>	<b>9611926498</b>	<b>9611926498</b>	<b>9611926499</b>	<b>9611926499</b>





ThinkTop for 7000 FDV. Digital top with or without (1) solenoid. Standard parts except for special magnet assembly. Magnet assembly allows insert of "test gauge" to change setting position. Also, eyelet cover screws allows (position 2) the addition of seal wire to secure top and to be added by inspector.

## Unique 7000 Standard Flo-Diversion Valve ThinkTop

Pos	Qty	Denomination	
		ThinkTop Complete, 0SOL Digital 24VDC .....	9634093901
		ThinkTop Complete, 1SOL Digital 24VDC .....	9634093902
1	1	Shell complete .....	9613427901
28	2	Tamper proof screw .....	9634091001
3	1	Screw .....	9611993458
4	1	Washer .....	9611993459
5	1	Sensor board, Digital 8-30 VDC PNP/NPN .....	9613443401
6	1	Solenoid valve, 3/2, 24 VDC .....	9611993324
7	3	PT screw .....	9611993457
8	1	Base, complete, no solenoids (Pos. 9, 12,13, 14 included) .....	9613428201
	1	Base, complete, 3/3 24 VDC, one solenoid (Pos. 9, 10, 11, 12,13, 14 included) .....	9613428202
9	1	Special X-ring, grey .....	9613456401
10	1	Air fitting, elbow, metal plug with grey rim: Ø6 mm / 1/4". .....	9611995679
11	1	Blow-off valve .....	9612563601
12	1	Thread plug, PG7 Ø3-Ø6.5 mm .....	9611993407
13	1	Cable gland, PG11 Ø4-Ø10 mm .....	9611993517
14	1	Gore vent High airflow .....	9611994722
15	1	Adapter complete .....	9612562101
16	1	Special X-ring .....	9612999401
17	1	O-ring .....	9611993350
18	2	Allen screw .....	9611993409
19	1	Special X-ring .....	9612569601
20	1	Indicator pin, complete .....	9615228101
29	1	Test washer .....	9634092802



#### **How to contact Alfa Laval**

Contact details for all countries are continually updated on our website.

Please visit [www.alfalaval.com](http://www.alfalaval.com) to access the information directly.

© Alfa Laval Corporate AB

This document and its contents is owned by Alfa Laval Corporate AB and protected by laws governing intellectual property and thereto related rights. It is the responsibility of the user of this document to comply with all applicable intellectual property laws. Without limiting any rights related to this document, no part of this document may be copied, reproduced or transmitted in any form or by any means (electronic, mechanical, photocopying, recording, or otherwise), or for any purpose, without the expressed permission of Alfa Laval Corporate AB. Alfa Laval Corporate AB will enforce its rights related to this document to the fullest extent of the law, including the seeking of criminal prosecution.



**CSI**

CONTACT CSI FOR MORE INFORMATION | [CSIDESIGNS.COM](http://CSIDESIGNS.COM) | [SALES@CSIDESIGNS.COM](mailto:SALES@CSIDESIGNS.COM) | 417.831.1411