



800.654.5635
www.csdesigns.com

WILDEN[®]

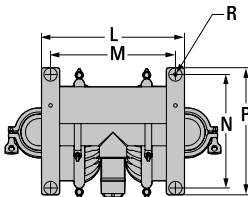
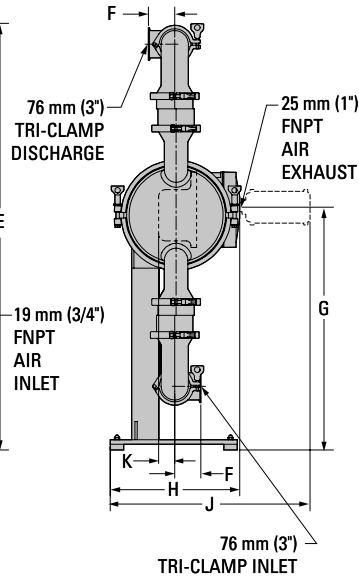
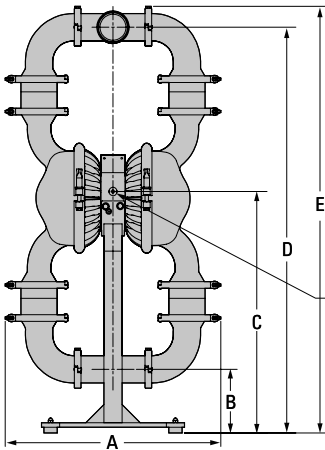
A DOVER COMPANY

Spec Sheet

PROFLO V[™]
PROGRESSIVE PUMP TECHNOLOGY

PV15 HYGIENIC METAL PUMP

76 mm (3") Pump
Maximum Flow Rate:
867 LPM (229 GPM)



PUMP DATA

Specifications:

Height: 1204 mm (47.4")
Width: 602 mm (23.7")
Depth: 363 mm (14.3")
Air Inlet: 19 mm (3/4" FNPT)
Liquid Inlet: 76 mm (3")
Liquid Outlet: 76 mm (3")

Wetted Material:

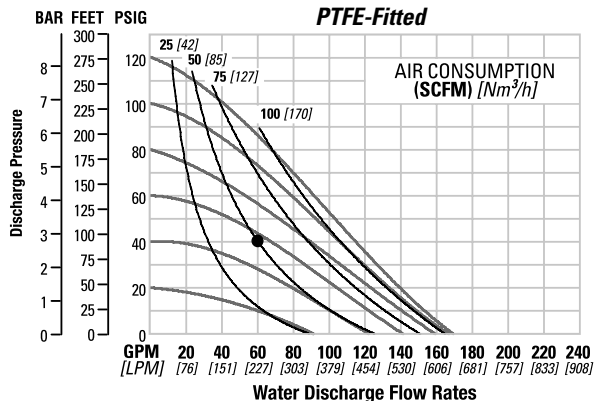
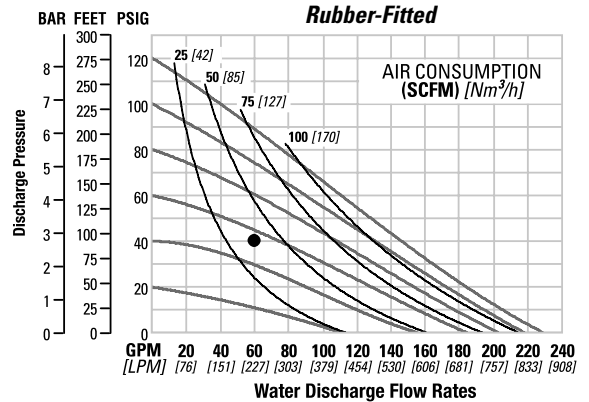
316L Stainless Steel: 98 kg (216 lbs)

Temperature Limits:

Nylon -17.8°C to 93.3°C 0°F to 200°F
Neoprene -17.8°C to 93.3°C 0°F to 200°F
Buna-N -12.2°C to 82.2°C 10°F to 180°F
Nordel[®] -51.1°C to 137.8°C -60°F to 280°F
Viton[®] -40°C to 176.7°C -40°F to 350°F
Wil-Flex[™] -40°C to 107.2°C -40°F to 225°F
Polyurethane 12.2°C to 65.6°C 10°F to 150°F
Saniflex[™] -28.9°C to 104.4°C -20°F to 220°F
PTFE -28.9°C to 148.9°C -20°F to 300°F

PERFORMANCE

Max. Flow: Rubber/TPE 867 lpm (229 gpm)
PTFE 651 lpm (172 gpm)
Max. Pressure: 8.6 bar (125 psig)
Max. Solids Passage: 76.2 mm (3")
Max. Suction Lift (wet): Rubber/TPE 8.9 m (29.5')
PTFE 8.7 m (28.4')
(dry): Rubber/TPE 4.5 m (14.8')
PTFE 3.1 m (10.2')



ITEM	METRIC (mm)	STANDARD (inch)	ITEM	METRIC (mm)	STANDARD (inch)
A	602	23.7	J	559	22.0
B	178	7.0	K	46	1.8
C	676	26.6	L	401	15.8
D	1135	44.7	M	351	13.8
E	1194	47.0	N	318	12.5
F	74	2.9	P	356	14.0
G	678	26.7	R	∅10	∅0.4
H	363	14.3			