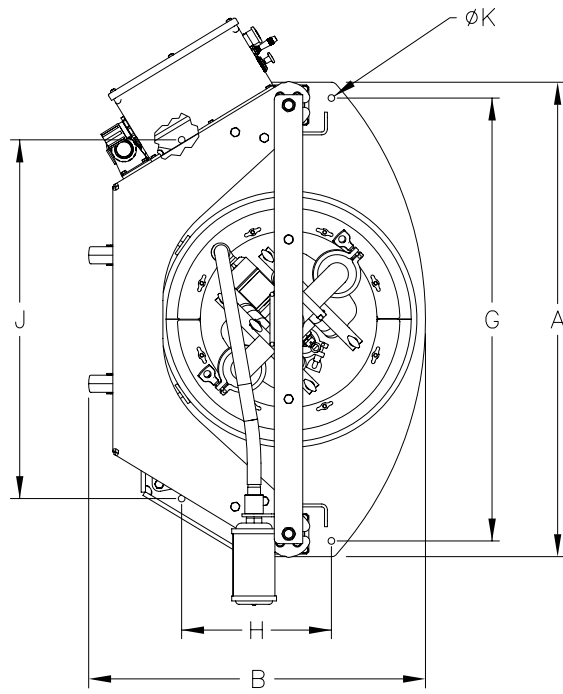


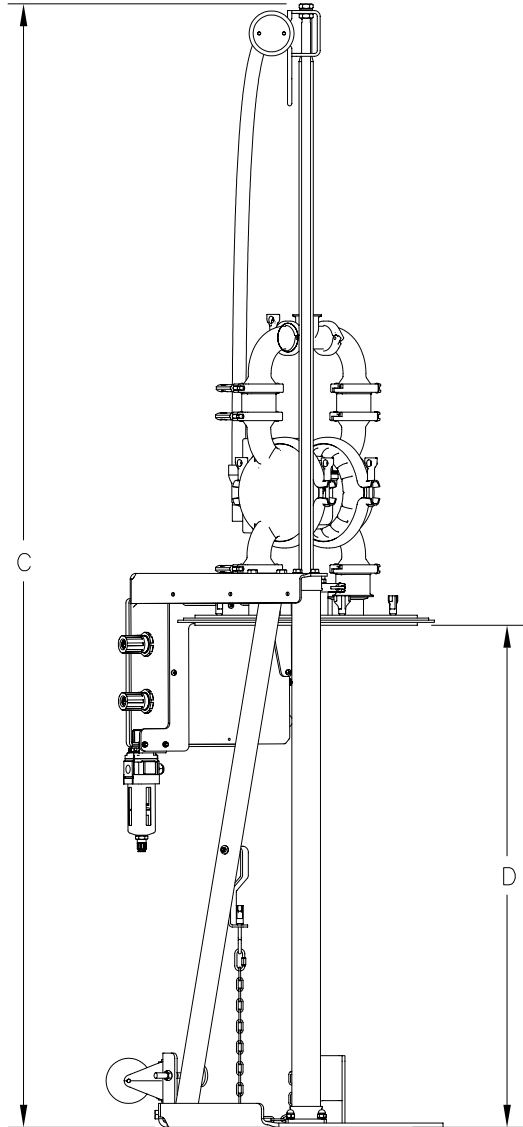


**800.654.5635**  
www.csdesigns.com

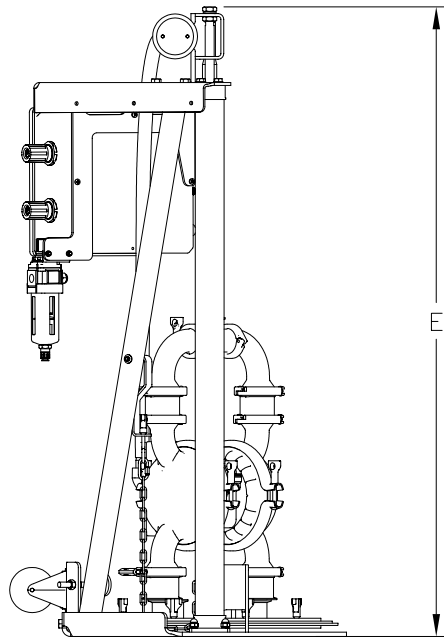


DIMENSIONS – DRUM UNLOADING SYSTEM		
ITEM	METRIC (mm)	STANDARD (inches)
A	1057	41.6
B	749	29.5
C	2502	98.5
D	1118	44.0
E	1402	55.2
F	1308	51.5
G	986	38.8
H	333	13.1
J	803	31.6
K	15 DIA.	0.6 DIA.

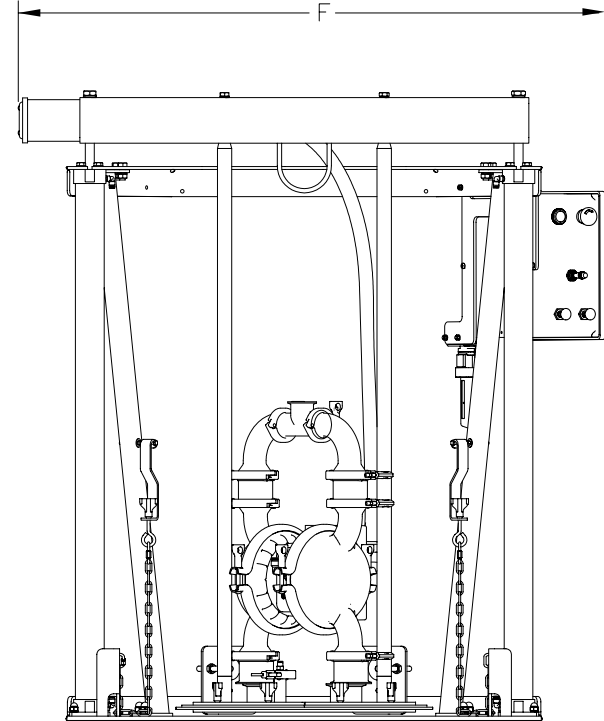
REV. A



FULLY EXTENDED – SIDE VIEW



FULLY RECESSED – SIDE VIEW



FULLY RECESSED – FRONT VIEW