

BIOCOR – Dimensions



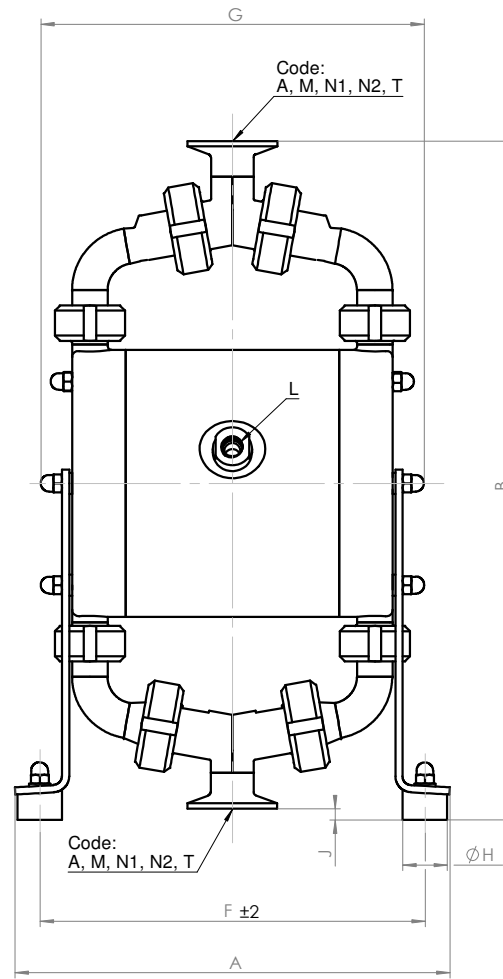
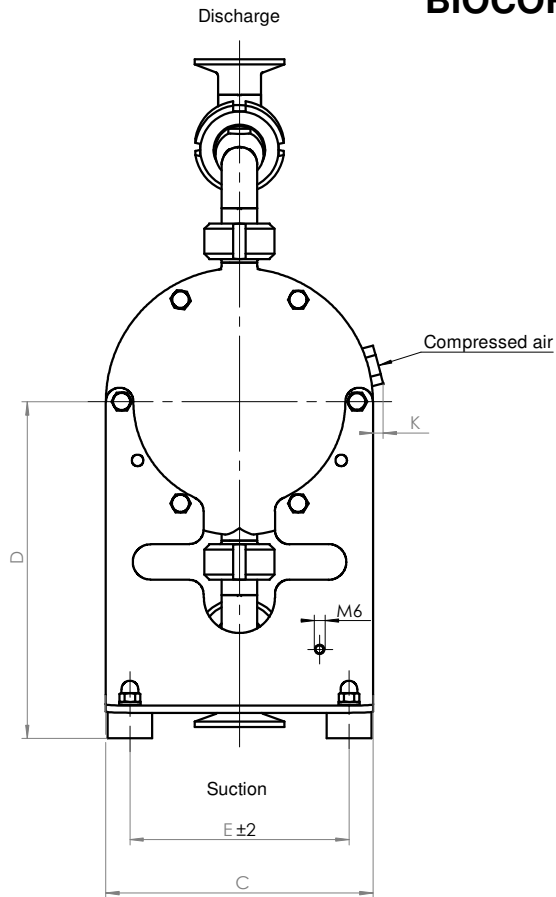
Pumps in mm

Pumps in inch

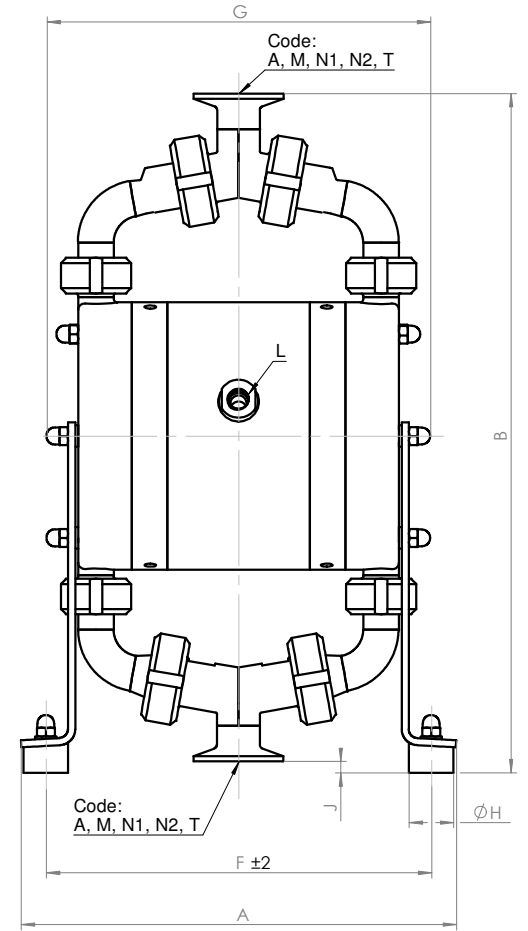
Please choose

Dimensions BIOCOR Series

BIOCOR



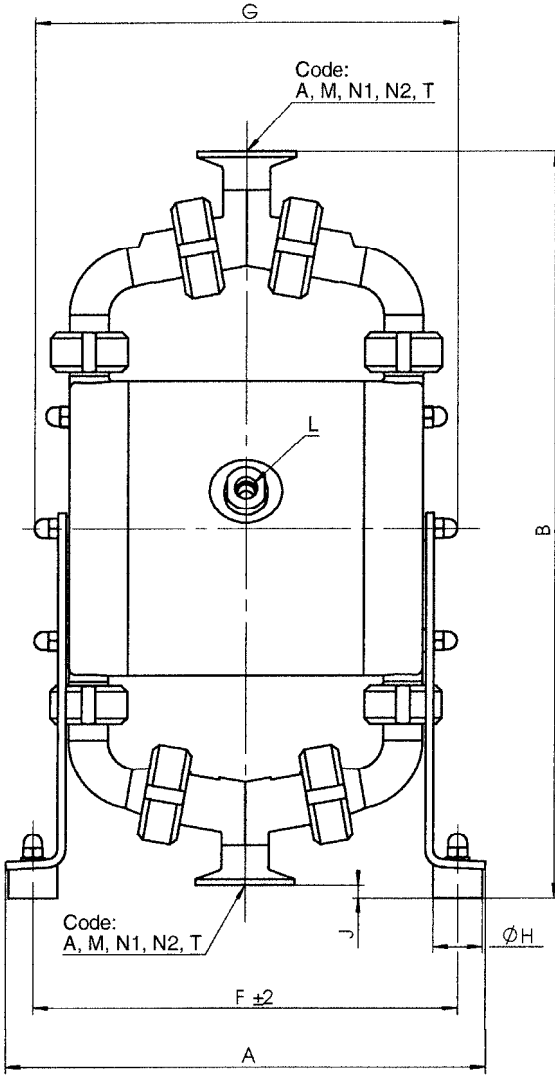
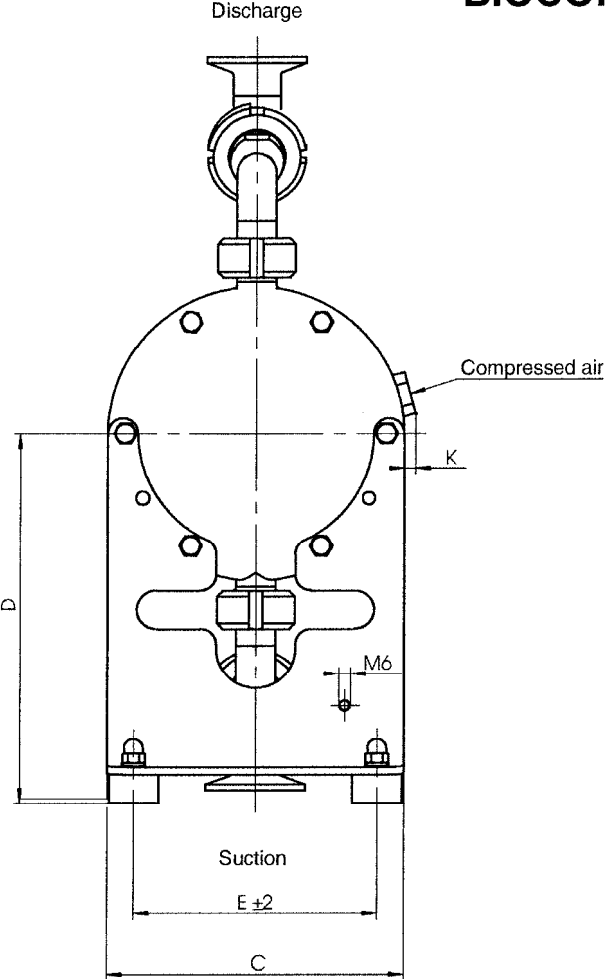
BIOCOR with barrier chambers



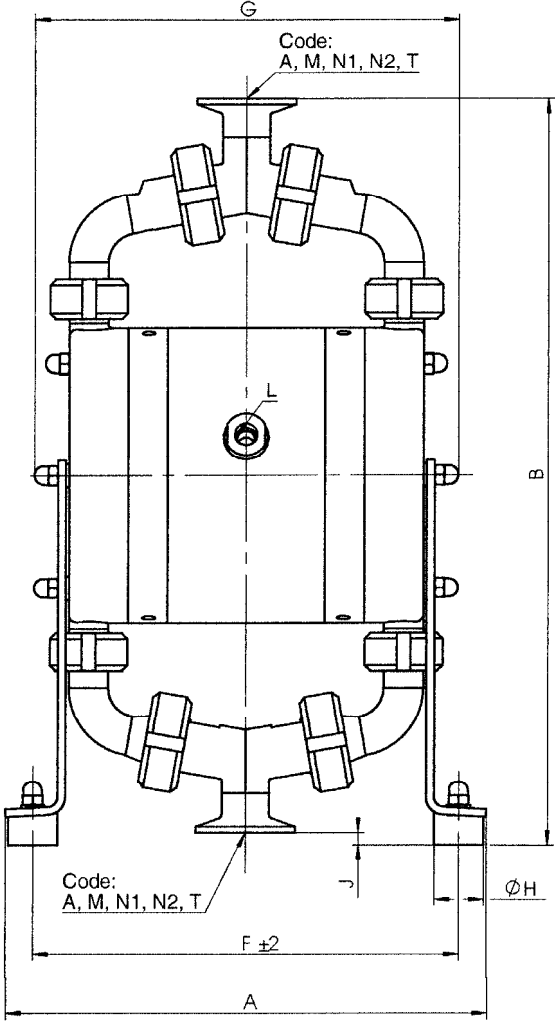
	A	B	C	D	E	F	G	H	J	K	L	Code A (DIN 11864)	Code M	Code N1	Code N2	Code T
BIOCOR 20	244	381	150	189	123	216	216	25	6,5	6	R ¼"	Rd 44 x 1/6" (DN 20)	Rd 44 x 1/6" (DN 20)	M 36 x 2 (DN 20)	M 36 x 2 (DN 20)	1 " Tri-Clamp
BIOCOR 32	284	484	200	246	173	256	261	25	17,5	-	R ¼"	Rd 58 x 1/6" (DN 32)	Rd 58 x 1/6" (DN 32)	M 52 x 2 (DN 32)	M52 x 2 (DN 32)	1 ½" Tri-Clamp

Dimensions (inch)

BIOCOR



BIOCOR with barrier chambers



	A	B	C	D	E	F	G	H	J	K	L	Code T
BIOCOR 20	9.6	15.0	5.9	7.4	4.8	8.5	8.5	1.0	0.25	0.24	1/4" BSP	1" Tri-Clamp
BIOCOR 32	11.2	19.1	7.9	9.7	6.8	10.1	10.3	1.0	0.7	-	1/4" BSP	1-1/2" Tri-Clamp