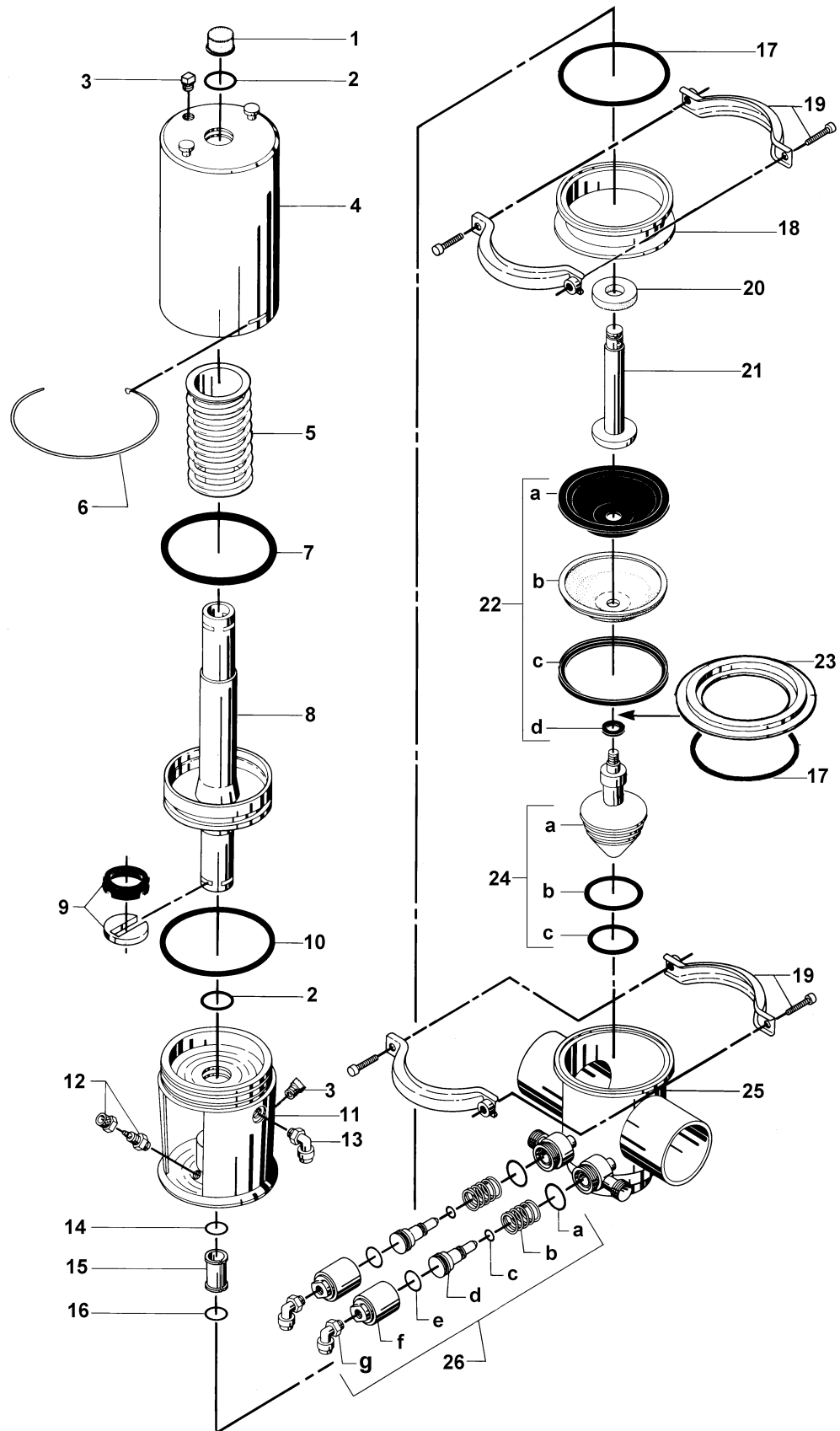


# Aseptic Mixproof Valve Type SMP-BCA - Stop Valve

Central States Industrial  
2700 Partnership Boulevard  
Springfield, MO 65803  
800.654.5635  
<http://www.csidesigns.com>

2



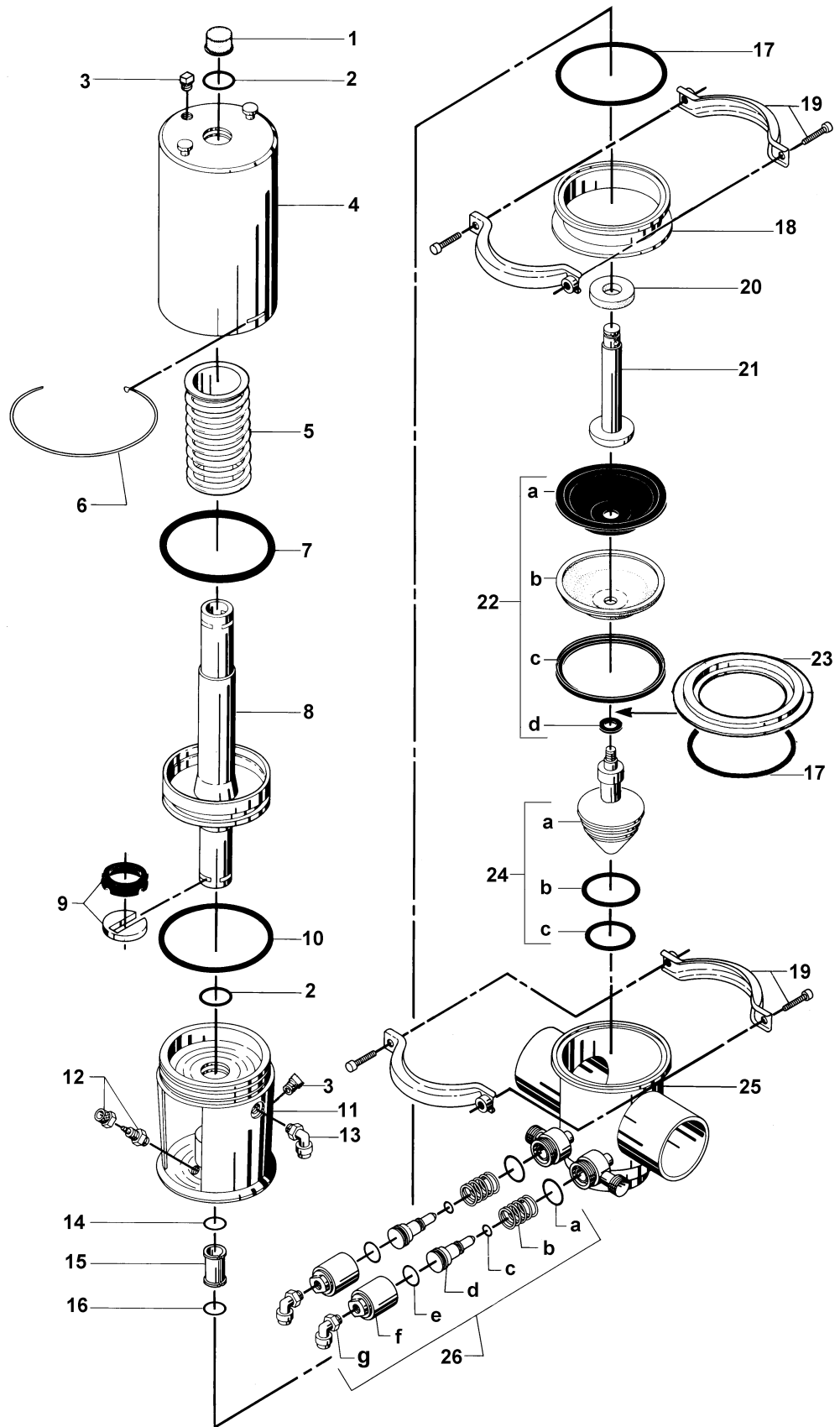
## Aseptic Mixproof Valve Type SMP-BCA - Stop Valve

Pos.	Qty.	Denomination	38mm NW40	51mm NW50	63.5mm NW65	76mm NW80	101.6mm NW100
<b>Actuator</b>							
		Actuator complete .....	9612-3652-02	9612-3652-02	9612-3654-02	9612-3653-02	9612-3653-02
1	1	Cap .....	31801-0525-6	31801-0525-6	31801-0525-5	31801-0525-5	31801-0525-5
2	Δ 2	O-ring .....	223406-25	223406-25	223406-49	223406-49	223406-49
3	2	Plug .....	31353-0154-1	31353-0154-1	31353-0154-1	31353-0154-1	31353-0154-1
4	1	Cylinder .....	31353-0139-1	31353-0139-1	31353-0185-1	31353-0185-1	31353-0185-1
5	1	Spring assembly, .....	31353-0625-1	31353-0625-1	31353-0622-1	31353-0622-1	31353-0622-1
		standard, black					
	1	Spring assembly, .....	31353-0625-2	31353-0625-2	31353-0622-2	31353-0622-2	31353-0622-2
		strong, white					
6	Δ 1	Lock wire .....	31353-0151-1	31353-0151-1	31353-0189-1	31353-0189-1	31353-0189-1
7	Δ 1	O-ring .....	223401-74	223401-74	223401-75	223401-75	223401-75
8	1	Piston .....	31353-0621-1	31353-0621-1	31353-0619-1	31353-0619-1	31353-0619-1
9	Δ 1	Clip, complete .....	31353-0793-1	31353-0793-1	31353-0793-2	31353-0793-2	31353-0793-2
10	Δ 1	O-ring .....	223406-67	223406-67	223406-17	223406-17	223406-17
11	1	Bonnet .....	9612-3591-02	9612-3591-02	9612-3650-02	9612-3592-02	9612-3592-02
12	1	Drain tube .....	31801-1444-1	31801-1444-1	31801-1444-1	31801-1444-1	31801-1444-1
13	1	Air fitting, swivel bend .....	9611-99-2993	9611-99-2993	9611-99-2993	9611-99-2993	9611-99-2993
14	Δ 1	O-ring bonnet .....	9611-99-3176	9611-99-3176	9611-99-3176	9611-99-3178	9611-99-3178
15	Δ 1	Guide ring .....	9612-5022-01	9612-5022-01	9612-5022-02	9612-5023-01	9612-5023-01
16	Δ 1	O-ring stem .....	9611-99-3180	9611-99-3180	9611-99-3180	9611-99-3177	9611-99-3177
Δ		<b>Service kit for actuator.</b>	<b>9611-92-0362</b>	<b>9611-92-0362</b>	<b>9611-92-0363</b>	<b>9611-92-0364</b>	<b>9611-92-0364</b>
<b>Clamp</b>							
19	2	Clamp and screws .....	31320-0027-3	31320-0027-3	31320-0027-3	31320-0027-5	31320-0027-5
<b>Valve plug</b>							
17	○ 1	Seal ring, EPDM, standard .	31353-0128-1	31353-0128-1	31353-0128-1		
	1	Seal ring, NBR .....	31353-0128-2	31353-0128-2	31353-0128-2		
	1	Seal ring, FPM .....	31353-0128-3	31353-0128-3	31353-0128-3		
	2	Seal ring, EPDM, standard .				31353-0205-1	31353-0205-1
	2	Seal ring, NBR .....				31353-0205-2	31353-0205-2
	2	Seal ring, FPM .....				31353-0205-3	31353-0205-3
18	1	Intermediate piece .....	31353-0813-1	31353-0813-1	31353-0813-1	31353-0840-1	31353-0840-1
20	1	Washer .....	9612-5027-01	9612-5027-01	9612-5027-01	9612-5027-02	9612-5027-02
21	1	Stem upper .....	31353-0809-1	31353-0809-1	31353-0809-1	31353-0839-1	31353-0839-1
22	○ 1	Diaphragm set, EPDM .....	9611-92-0365	9611-92-0365	9611-92-0365	9611-92-0368	9611-92-0368
	1	Diaphragm set, NBR .....	9611-92-0366	9611-92-0366	9611-92-0366	9611-92-0369	9611-92-0369
	1	Diaphragm set, FPM .....	9611-92-0367	9611-92-0367	9611-92-0367	9611-92-0370	9611-92-0370
a	1	Diaphragm support, EPDM .	31353-0816-1	31353-0816-1	31353-0816-1	31353-0816-2	31353-0816-2
b	1	Diaphragm, PTFE .....	31353-0820-1	31353-0820-1	31353-0820-1	31353-0820-2	31353-0820-2
c	1	L-seal, EPDM, standard .....	31353-0817-1	31353-0817-1	31353-0817-1	31353-0817-1	31353-0817-1
	1	L-seal, NBR .....	31353-0817-2	31353-0817-2	31353-0817-2	31353-0817-2	31353-0817-2
	1	L-seal, FPM .....	31353-0817-3	31353-0817-3	31353-0817-3	31353-0817-3	31353-0817-3
d	1	Stem seal, EPDM, standard	9612-5024-01	9612-5024-01	9612-5024-01	9612-5024-02	9612-5024-02
	1	Stem seal, NBR .....	9612-5024-03	9612-5024-03	9612-5024-03	9612-5024-04	9612-5024-04
	1	Stem seal, FPM .....	9612-5024-05	9612-5024-05	9612-5024-05	9612-5024-06	9612-5024-06
23	1	Diaphragm ring .....				31353-0841-1	31353-0841-1
<b>Valve plug</b>							
24	1	Plug complete, EPDM .....	9612-5019-13	9612-5019-14	9612-5019-15	9612-5019-16	9612-5019-17
		standard					
	1	Plug complete, NBR .....	9612-5019-01	9612-5019-02	9612-5019-03	9612-5019-04	9612-5019-05
	1	Plug complete, FPM .....	9612-5019-07	9612-5019-08	9612-5019-09	9612-5019-10	9612-5019-11
a	1	Plug .....	9612-5017-01	9612-5017-02	9612-5017-03	9612-5017-04	9612-5017-05
b	○ 1	Seal ring, EPDM, standard .	9612-3584-15	9612-3584-15	9612-3584-18	9612-3584-21	9612-3584-24
	1	Seal ring, NBR .....	9612-3584-13	9612-3584-13	9612-3584-16	9612-3584-19	9612-3584-22
	1	Seal ring, FPM .....	9612-3584-14	9612-3584-14	9612-3584-17	9612-3584-20	9612-3584-23
c	○ 1	Seal ring, EPDM, standard .	9612-3584-03	9612-3584-03	9612-3584-06	9612-3584-09	9612-3584-12
	1	Seal ring, NBR .....	9612-3584-01	9612-3584-01	9612-3584-04	9612-3584-07	9612-3584-10
	1	Seal ring, FPM .....	9612-3584-02	9612-3584-02	9612-3584-05	9612-3584-08	9612-3584-11

# Aseptic Mixproof Valve Type SMP-BCA - Stop Valve

Central States Industrial  
2700 Partnership Boulevard  
Springfield, MO 65803  
800.654.5635  
<http://www.csidesigns.com>

4



## Aseptic Mixproof Valve Type SMP-BCA - Stop Valve

Pos.	Qty.	Denomination	38mm NW40	51mm NW50	63.5mm NW65	76mm	NW80	101.6mm NW100
<b>Valve body</b>								
25	1	Valve body, 2 ports ISO ....	9612-3573-01	9612-3574-01	9612-3575-01	9612-3576-01		9612-3577-01
	1	Valve body, 2 ports DIN ....	9612-3573-13	9612-3574-13	9612-3575-13		9612-3576-13	9612-3577-13
	1	Valve body, 3 ports ISO ....	9612-3573-02	9612-3574-02	9612-3575-02	9612-3576-02		9612-3577-02
	1	Valve body, 3 ports DIN ....	9612-3573-14	9612-3574-14	9612-3575-14		9612-3576-14	9612-3577-14
<b>Detecting/CIP valve</b>								
26a	○ 2	□ O-ring, NBR .....	9611-99-0096	9611-99-0096	9611-99-0096	9611-99-0096	9611-99-0096	9611-99-0096
b	2	□ Spring .....	9612-3380-01	9612-3380-01	9612-3380-01	9612-3380-01	9612-3380-01	9612-3380-01
c	○ 2	□ O-ring, EPDM .....	9611-99-3017	9611-99-3017	9611-99-3017	9611-99-3017	9611-99-3017	9611-99-3017
	2	O-ring, NBR .....	9611-99-3016	9611-99-3016	9611-99-3016	9611-99-3016	9611-99-3016	9611-99-3016
	2	O-ring, FPM .....	9611-99-3018	9611-99-3018	9611-99-3018	9611-99-3018	9611-99-3018	9611-99-3018
d	2	□ Spindle .....	9612-4415-01	9612-4415-01	9612-4415-01	9612-4415-01	9612-4415-01	9612-4415-01
e	○ 2	□ O-ring, HNBR .....	9611-99-3413	9611-99-3413	9611-99-3413	9611-99-3413	9611-99-3413	9611-99-3413
f	2	□ Plug .....	9612-4416-01	9612-4416-01	9612-4416-01	9612-4416-01	9612-4416-01	9612-4416-01
g	2	Air fitting, swivel bend .....	9611-99-2993	9611-99-2993	9611-99-2993	9611-99-2993	9611-99-2993	9611-99-2993
<b>Detecting/CIP valve complete</b>								
	□	Internal parts, EPDM .....	9611-92-0354	9611-92-0354	9611-92-0354	9611-92-0354	9611-92-0354	9611-92-0354
		Internal parts, NBR .....	9611-92-0270	9611-92-0270	9611-92-0270	9611-92-0270	9611-92-0270	9611-92-0270
		Internal parts, FPM .....	9611-92-0271	9611-92-0271	9611-92-0271	9611-92-0271	9611-92-0271	9611-92-0271
<b>Service kits</b>								
	○	Service kit, EPDM .....	9611-92-0371	9611-92-0371	9611-92-0373	9611-92-0374	9611-92-0374	9611-92-0375
		Service kit, NBR .....	9611-92-0376	9611-92-0376	9611-92-0378	9611-92-0379	9611-92-0379	9611-92-0380
		Service kit, FPM .....	9611-92-0381	9611-92-0381	9611-92-0383	9611-92-0384	9611-92-0384	9611-92-0385

Recommended Spare Parts: Service Kits.

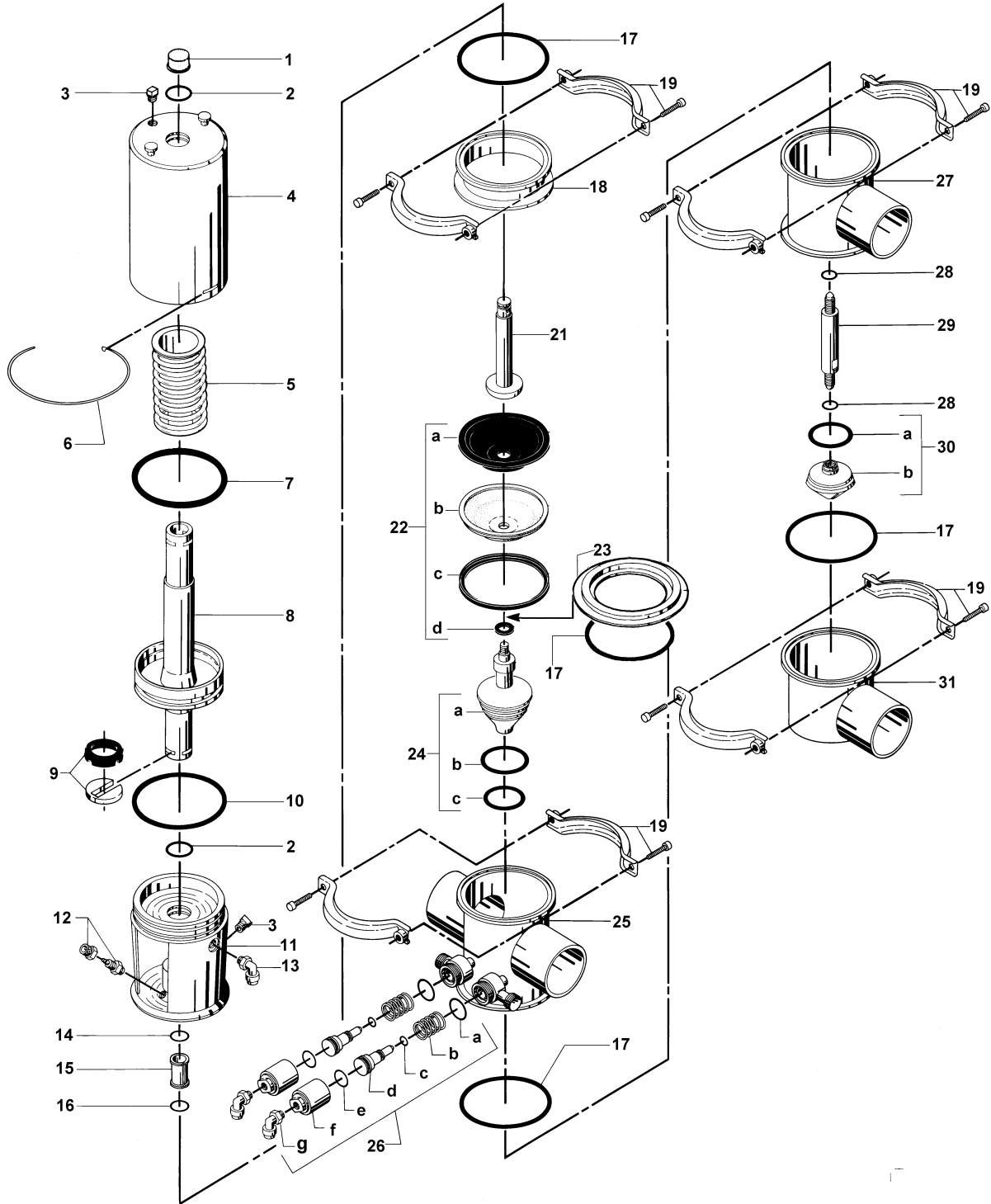
### Surface roughness, product wetted parts: Ra ≤ 0.8 μm

Pos.	Qty.	Denomination	38 mm NW40	51 mm NW50	63.5 mm NW65	76 mm	NW80	101.6 mm NW100
<b>Valve plug</b>								
24	1	Plug complete, EPDM, .....	9612-5019-31	9612-5019-32	9612-5019-33	9612-5019-34	9612-5019-35	9612-5019-36
		standard						
	1	Plug complete, NBR .....	9612-5019-19	9612-5019-20	9612-5019-21	9612-5019-22	9612-5019-23	9612-5019-24
	1	Plug complete, FPM .....	9612-5019-25	9612-5019-26	9612-5019-27	9612-5019-28	9612-5019-29	9612-5019-30
a	1	Plug .....	9612-5017-07	9612-5017-08	9612-5017-09	9612-5017-10	9612-5017-11	9612-5017-12
<b>Valve body</b>								
25	1	Valve body, 2 ports, ISO ...	9612-3573-17	9612-3574-17	9612-3575-17	9612-3576-17		9612-3577-17
	1	Valve body, 2 ports, DIN ...	9612-3573-19	9612-3574-19	9612-3575-19		9612-3576-19	9612-3577-18
	1	Valve body, 3 ports, ISO ...	9612.3573-18	9612-3574-18	9612-3575-18	9612-3576-18		9612-3577-19
	1	Valve body, 3 ports, DIN ...	9612-3573-20	9612-3574-20	9612-3575-20		9612-3576-20	9612-3577-20

# Aseptic Mixproof Valve Type SMP-BCA - Change-over Valve

Central States Industrial  
2700 Partnership Boulevard  
Springfield, MO 65803  
800.654.5635  
<http://www.csidesigns.com>

6



## Aseptic Mixproof Valve Type SMP-BCA - Change-over Valve

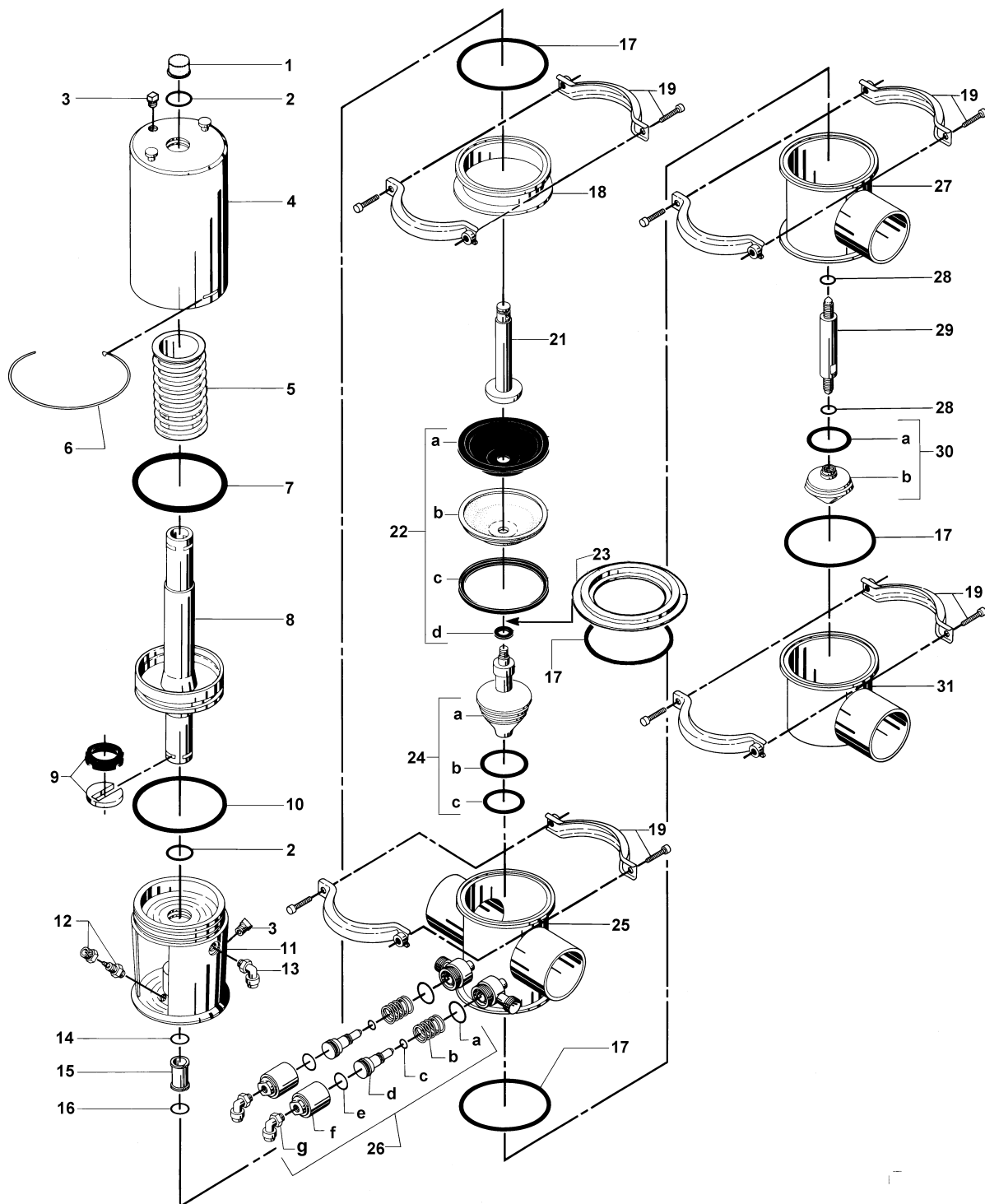
Pos.	Qty.	Denomination	38mm NW40	51mm NW50	63.5mm NW65	76mm NW80	101.6mm NW100
<b>Actuator</b>							
		Actuator complete .....	9612-3652-02	9612-3652-02	9612-3654-02	9612-3653-02	9612-3653-02
1	1	Cap .....	31801-0525-6	31801-0525-6	31801-0525-5	31801-0525-5	31801-0525-5
2	Δ 2	O-ring .....	223406-25	223406-25	223406-49	223406-49	223406-49
3	2	Plug .....	31353-0154-1	31353-0154-1	31353-0154-1	31353-0154-1	31353-0154-1
4	1	Cylinder .....	31353-0139-1	31353-0139-1	31353-0185-1	31353-0185-1	31353-0185-1
5	1	Spring assembly, .....	31353-0625-1	31353-0625-1	31353-0622-1	31353-0622-1	31353-0622-1
		standard, black					
	1	Spring assembly, .....	31353-0625-2	31353-0625-2	31353-0622-2	31353-0622-2	31353-0622-2
		strong, white					
6	Δ 1	Lock wire .....	31353-0151-1	31353-0151-1	31353-0189-1	31353-0189-1	31353-0189-1
7	Δ 1	O-ring .....	223401-74	223401-74	223401-75	223401-75	223401-75
8	1	Piston .....	31353-0621-1	31353-0621-1	31353-0619-1	31353-0619-1	31353-0619-1
9	Δ 1	Clip, complete .....	31353-0793-1	31353-0793-1	31353-0793-2	31353-0793-2	31353-0793-2
10	Δ 1	O-ring .....	223406-67	223406-67	223406-17	223406-17	223406-17
11	1	Bonnet .....	9612-3591-02	9612-3591-02	9612-3650-02	9612-3592-02	9612-3592-02
12	1	Drain tube .....	31801-1444-1	31801-1444-1	31801-1444-1	31801-1444-1	31801-1444-1
13	1	Air fitting, swivel bend .....	9611-99-2993	9611-99-2993	9611-99-2993	9611-99-2993	9611-99-2993
14	Δ 1	O-ring bonnet .....	9611-99-3176	9611-99-3176	9611-99-3176	9611-99-3178	9611-99-3178
15	Δ 1	Guide ring .....	9612-5022-01	9612-5022-01	9612-5022-02	9612-5023-01	9612-5023-01
16	Δ 1	O-ring stem .....	9611-99-3180	9611-99-3180	9611-99-3180	9611-99-3177	9611-99-3177
		<b>Δ Service kit for actuator .</b>	<b>9611-92-0362</b>	<b>9611-92-0362</b>	<b>9611-92-0363</b>	<b>9611-92-0364</b>	<b>9611-92-0364</b>
<b>Clamp</b>							
19	4	Clamp and screws .....	31320-0027-3	31320-0027-3	31320-0027-3	31320-0027-5	31320-0027-5
<b>Valve plug .....</b>							
17	○ 3	Seal ring, EPDM, standard .	31353-0128-1	31353-0128-1	31353-0128-1		
	3	Seal ring, NBR .....	31353-0128-2	31353-0128-2	31353-0128-2		
	3	Seal ring, FPM .....	31353-0128-3	31353-0128-3	31353-0128-3		
	4	Seal ring, EPDM, standard .				31353-0205-1	31353-0205-1
	4	Seal ring, NBR .....				31353-0205-2	31353-0205-2
	4	Seal ring, FPM .....				31353-0205-3	31353-0205-3
18	1	Intermediate piece .....	31353-0813-1	31353-0813-1	31353-0813-1	31353-0840-1	31353-0840-1
21	1	Stem upper .....	31353-0809-1	31353-0809-1	31353-0809-1	31353-0839-1	31353-0839-1
22	○ 1	Diaphragm set, EPDM .....	9611-92-0365	9611-92-0365	9611-92-0365	9611-92-0368	9611-92-0368
	1	Diaphragm set, NBR .....	9611-92-0366	9611-92-0366	9611-92-0366	9611-92-0369	9611-92-0369
	1	Diaphragm set, FPM .....	9611-92-0367	9611-92-0367	9611-92-0367	9611-92-0370	9611-92-0370
a	1	Diaphragm support, EPDM .	31353-0816-1	31353-0816-1	31353-0816-1	31353-0816-2	31353-0816-2
b	1	Diaphragm, PTFE .....	31353-0820-1	31353-0820-1	31353-0820-1	31353-0820-2	31353-0820-2
c	1	L-seal, EPDM, standard .....	31353-0817-1	31353-0817-1	31353-0817-1	31353-0817-1	31353-0817-1
	1	L-seal, NBR .....	31353-0817-2	31353-0817-2	31353-0817-2	31353-0817-2	31353-0817-2
	1	L-seal, FPM .....	31353-0817-3	31353-0817-3	31353-0817-3	31353-0817-3	31353-0817-3
d	1	Stem seal, EPDM, standard	9612-5024-01	9612-5024-01	9612-5024-01	9612-5024-02	9612-5024-02
	1	Stem seal, NBR .....	9612-5024-03	9612-5024-03	9612-5024-03	9612-5024-04	9612-5024-04
	1	Stem seal, FPM .....	9612-5024-05	9612-5024-05	9612-5024-05	9612-5024-06	9612-5024-06
23	1	Diaphragm ring .....				31353-0841-1	31353-0841-1
<b>Valve plug upper</b>							
24	1	Plug upper complete, EPDM	9612-5018-13	9612-5018-14	9612-5018-15	9612-5018-16	9612-5018-17
		Standard					
	1	Plug upper complete, NBR .	9612-5018-01	9612-5018-02	9612-5018-03	9612-5018-04	9612-5018-05
	1	Plug upper complete, FPM .	9612-5018-07	9612-5018-08	9612-5018-09	9612-5018-10	9612-5018-11
a	1	Plug upper .....	9612-5016-01	9612-5016-02	9612-5016-03	9612-5016-04	9612-5016-05
b	○ 1	Seal ring, EPDM, standard .	9612-3584-15	9612-3584-15	9612-3584-18	9612-3584-21	9612-3584-24
	1	Seal ring, NBR .....	9612-3584-13	9612-3584-13	9612-3584-16	9612-3584-19	9612-3584-22
	1	Seal ring, FPM .....	9612-3584-14	9612-3584-14	9612-3584-17	9612-3584-20	9612-3584-23
c	○ 1	Seal ring, EPDM, standard .	9612-3584-03	9612-3584-03	9612-3584-06	9612-3584-09	9612-3584-12
	1	Seal ring, NBR .....	9612-3584-01	9612-3584-01	9612-3584-04	9612-3584-07	9612-3584-10
	1	Seal ring, FPM .....	9612-3584-02	9612-3584-02	9612-3584-05	9612-3584-08	9612-3584-11
28	○ 2	O-ring, EPDM standard .....	9611-99-2694	9611-99-2694	9611-99-2694	9611-99-2697	9611-99-2697
	2	O-ring, NBR .....	9611-99-2695	9611-99-2695	9611-99-2695	9611-99-2698	9611-99-2698
	2	O-ring, FPM .....	9611-99-2696	9611-99-2696	9611-99-2696	9611-99-2699	9611-99-2699
29	1	Stem lower .....	9612-5021-01	9612-5021-02	9612-5021-03	9612-5021-04	9612-5021-05

**Recommended Spare Parts: Service Kits.**

# Aseptic Mixproof Valve Type SMP-BCA - Change-over Valve

Central States Industrial  
2700 Partnership Boulevard  
Springfield, MO 65803  
800.654.5635  
<http://www.csidesigns.com>

8



## Aseptic Mixproof Valve Type SMP-BCA - Change-over Valve

Pos.	Qty.	Denomination	38mm NW40	51mm NW50	63.5mm NW65	76mm NW80	101.6mm NW100
<b>Valve plug lower</b>							
30	1	Plug lower complete, EPDM, standard .....	9612-3595-09	9612-3595-09	9612-3595-10	9612-3595-11	9612-3595-12
	1	Plug lower complete, NBR .....	9612-3595-01	9612-3595-01	9612-3595-02	9612-3595-03	9612-3595-04
	1	Plug lower complete, FPM .....	9612-3595-05	9612-3595-05	9612-3595-06	9612-3595-07	9612-3595-08
a	1	Sealring EPDM .....	9612-3584-27	9612-3584-27	9612-3584-30	9612-3584-33	9612-3584-36
	1	Sealring NBR .....	9612-3584-25	9612-3584-25	9612-3584-28	9612-3584-31	9612-3584-34
	1	Sealring FPM .....	9612-3584-26	9612-3584-26	9612-3584-29	9612-3584-32	9612-3584-35
b	1	Plug lower .....	9612-3461-01	9612-3461-01	9612-3462-01	9612-3463-01	9612-3464-01
<b>Valve body</b>							
25	1	Valve body upper, 1 port ISO ..	9612-3562-01	9612-3563-01	9612-3564-01	9612-3565-01	9612-3566-01
	1	Valve body upper, 1 port DIN ...	9612-3562-13	9612-3563-13	9612-3564-13	9612-3565-13	9612-3566-13
	1	Valve body upper, 2 ports ISO ..	9612-3562-02	9612-3563-02	9612-3564-02	9612-3565-02	9612-3566-02
	1	Valve body upper, 2 ports DIN ..	9612-3562-14	9612-3563-14	9612-3564-14	9612-3565-14	9612-3566-14
27	1	Valve body middle, 1 port ISO ..	9612-3510-01	9612-3511-01	9612-3512-01	9612-3513-01	9612-3514-01
	1	Valve body middle, 1 port DIN ..	9612-3525-01	9612-3526-01	9612-3527-02	9612-3528-01	9612-3529-01
	1	Valve body middle, 2 ports ISO ..	9612-3510-02	9612-3511-02	9612-3512-02	9612-3513-02	9612-3514-02
	1	Valve body middle, 2 ports DIN ..	9612-3525-02	9612-3526-02	9612-3527-03	9612-3528-02	9612-3529-02
31	1	Valve body lower, 1 port ISO ..	31353-0582-1	31353-0583-1	31353-0584-1	31353-0585-1	31353-0586-1
	1	Valve body lower, 1 port DIN ...	9612-3221-01	9612-3222-01	9612-3223-01	9612-3224-01	9612-3225-01
	1	Valve body lower, 2 ports ISO ..	31353-0582-2	31353-0583-2	31353-0584-2	31353-0585-2	31353-0586-2
	1	Valve body lower, 2 ports DIN ..	9612-3221-02	9612-3222-02	9612-3223-02	9612-3224-02	9612-3225-02
<b>Detecting/CIP valve</b>							
26a	2	O-ring, NBR .....	9611-99-0096	9611-99-0096	9611-99-0096	9611-99-0096	9611-99-0096
b	2	Spring .....	9612-3380-01	9612-3380-01	9612-3380-01	9612-3380-01	9612-3380-01
c	2	O-ring EPDM .....	9611-99-3017	9611-99-3017	9611-99-3017	9611-99-3017	9611-99-3017
	2	O-ring NBR .....	9611-99-3016	9611-99-3016	9611-99-3016	9611-99-3016	9611-99-3016
	2	O-ring FPM .....	9611-99-3018	9611-99-3018	9611-99-3018	9611-99-3018	9611-99-3018
d	2	Spindle .....	9612-4415-01	9612-4415-01	9612-4415-01	9612-4415-01	9612-4415-01
e	2	O-ring HNBR .....	9611-99-3413	9611-99-3413	9611-99-3413	9611-99-3413	9611-99-3413
f	2	Plug .....	9612-4416-01	9612-4416-01	9612-4416-01	9612-4416-01	9612-4416-01
g	2	Air fitting, swivel bend .....	9611-99-2993	9611-99-2993	9611-99-2993	9611-99-2993	9611-99-2993
<b>Detecting /CIP valve complete</b>							
26	1	Internal parts EPDM .....	9611-92-0354	9611-92-0354	9611-92-0354	9611-92-0354	9611-92-0354
	1	Internal parts NBR .....	9611-92-0270	9611-92-0270	9611-92-0270	9611-92-0270	9611-92-0270
	1	Internal parts FPM .....	9611-92-0271	9611-92-0271	9611-92-0271	9611-92-0271	9611-92-0271
<b>Service kits</b>							
○		<b>Service kit, EPDM .....</b>	<b>9611-92-0386</b>	<b>9611-92-0386</b>	<b>9611-92-0387</b>	<b>9611-92-0388</b>	<b>9611-92-0389</b>
		<b>Service kit, NBR .....</b>	<b>9611-92-0390</b>	<b>9611-92-0390</b>	<b>9611-92-0391</b>	<b>9611-92-0392</b>	<b>9611-92-0393</b>
		<b>Service kit, FPM .....</b>	<b>9611-92-0394</b>	<b>9611-92-0394</b>	<b>9611-92-0395</b>	<b>9611-92-0396</b>	<b>9611-92-0397</b>

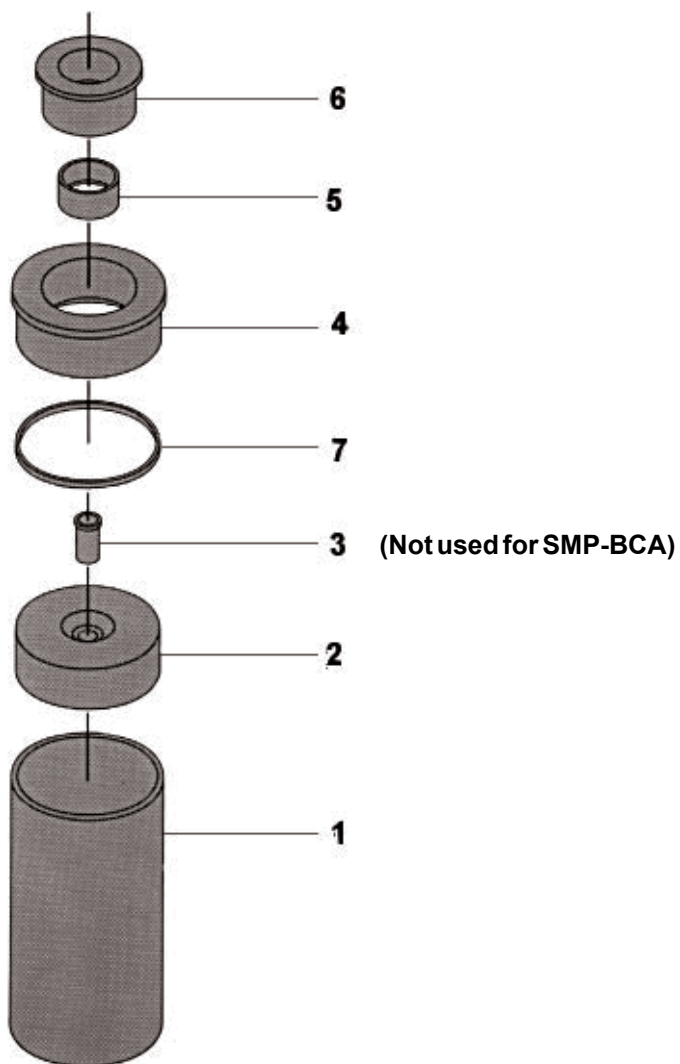
### Surface roughness, product wetted parts: Ra ≤ 0.8 μm

Pos.	Qty.	Denomination	38 mm NW40	51 mm NW50	63.5 mm NW65	76 mm NW80	101.6 mm NW100
<b>Valve plug</b>							
24	1	Plug complete, EPDM, standard	9612-5018-31	9612-5018-32	9612-5018-33	9612-5018-34	9612-5018-35
	1	Plug complete, NBR .....	9612-5018-19	9612-5018-20	9612-5018-21	9612-5018-22	9612-5018-23
	1	Plug complete, FPM .....	9612-5018-25	9612-5018-25	9612-5018-25	9612-5018-25	9612-5018-25
a	1	Plug upper .....	9612-5016-07	9612-5016-08	9612-5016-09	9612-5016-10	9612-5016-12
29	1	Stem lower .....	9612-5021-07	9612-5021-08	9612-5021-09	9612-5021-10	9612-5021-12
<b>Valve plug lower</b>							
30	1	Plug lower complete, EPDM, standard .....	9612-3595-21	9612-3595-21	9612-3595-22	9612-3595-23	9612-3595-24
	1	Plug lower complete NBR .....	9612-3595-13	9612-3595-13	9612-3595-14	9612-3595-15	9612-3595-16
	1	Plug lower complete, FPM .....	9612-3595-17	9612-3595-17	9612-3595-18	9612-3595-19	9612-3595-20
b	1	Plug lower .....	9612-3461-02	9612-3461-02	9612-3462-02	9612-3463-02	9612-3464-02
<b>Valve body</b>							
25	1	Valve body upper, 1 port, ISO ..	9612-3562-17	9612-3563-17	9612-3564-17	9612-3565-17	9612-3566-17
	1	Valve body upper, 1 port, DIN ..	9612-3562-19	9612-3563-19	9612-3564-19	9612-3565-18	9612-3566-19
	1	Valve body upper, 2 ports, ISO ..	9612-3562-18	9612-3563-18	9612-3564-18	9612-3565-18	9612-3566-18
	1	Valve body upper, 2 ports, DIN ..	9612-3562-20	9612-3562320	9612-3564-20	9612-3565-20	9612-3566220
27	1	Valve body middle, 1 port, ISO ..	9612-3510-07	9612-3510-07	9612-3512-07	9612-3513-07	9612-3514-07
	1	Valve body middle, 1 port, DIN ..	9612-3525-03	9612-3526-03	9612-3527-03	9612-3528-03	9612-3529-03
	1	Valve body middle, 2 ports, ISO ..	9612-3510-08	9612-3511-08	9612-3512-08	9612-3513-08	9612-3514-08
	1	Valve body middle, 2 ports, DIN ..	9612-3525-04	9612-3526-04	9612-3527-04	9612-3528-04	9612-3529-04
31	1	Valve body lower, 1 port, ISO ..	31353-0582-7	31353-0583-7	31353-0584-7	31353-0585-7	31353-0586-7
	1	Valve body lower, 1 port, DIN ..	9612-3221-03	9612-3222-03	9612-3223-03	9612-3224-03	9612-3225-03
	1	Valve body lower, 2 ports, ISO ..	31353-0582-8	31353-0583-8	31353-0584-8	31353-0585-8	31353-0586-8
	1	Valve body lower, 2 ports, DIN ..	9612-3221-04	9612-3222-04	9612-3223-04	9612-3224-04	9612-3225-04

# Sanitary Mixproof Valve Type SMP-BCA - Tool for Plug Seals

Central States Industrial  
2700 Partnership Boulevard  
Springfield, MO 65803  
800.654.5635  
<http://www.csidesigns.com>

10

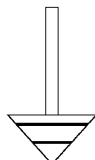


# Sanitary Mixproof Valve Type SMP-BCA - Tool for Plug Seals

Common tool parts			9612-4970-01 NW 40 - 100 38 - 101.6 mm	9612-4970-02 NW 125 / NW 150
Pos	Qty.	Denomination		
1	1	Outer main guide .....	9612-3851-01	9612-3851-02
2	1	Lower guide ring .....	9612-3852-01	9612-4559-01
3	1	Bush .....	9612-3853-01* (Not used for SMP-BCA)	
4	1	Piston ring .....	9612-3854-07	

\* : Only used for 38 - 63.5 mm / NW 40 - 65

**Tool for fitting seals on Stop Valve / Change-over Valve (upper plug)**



Pos	Qty.	Denomination	9612-4970-03 NW 40 / NW 50 38 mm / 51 mm	9612-4970-04 NW 65	9612-4970-05 NW 80 63.5 mm	9612-4970-06 NW 100 76 mm	9612-4970-07 NW 125 / NW 150 101.6 mm
5	1	Guide ring, small .....	9612-3855-01	9612-3855-02	9612-3855-03	9612-3855-04	9612-3855-13
	1	Guide ring, large .....	9612-3855-05	9612-3855-06	9612-3855-07	9612-3855-08	9612-3855-14
6	1	Guide piston, small .....	9612-3854-01	9612-3854-02	9612-3854-03	9612-3854-04	9612-3854-13
	1	Guide piston, large .....	9612-3854-05	9612-3854-06	**	9612-3854-08	9612-3854-14
7	1	Ring, large .....	9612-4404-01	9612-4404-02	9612-4404-03	9612-4404-04	9612-4404-05

\*\* : Included in the common tool parts (pos 4).

All other parts: Common tool parts.

**Tool for fitting seal on lower plug on Change-over Valve**



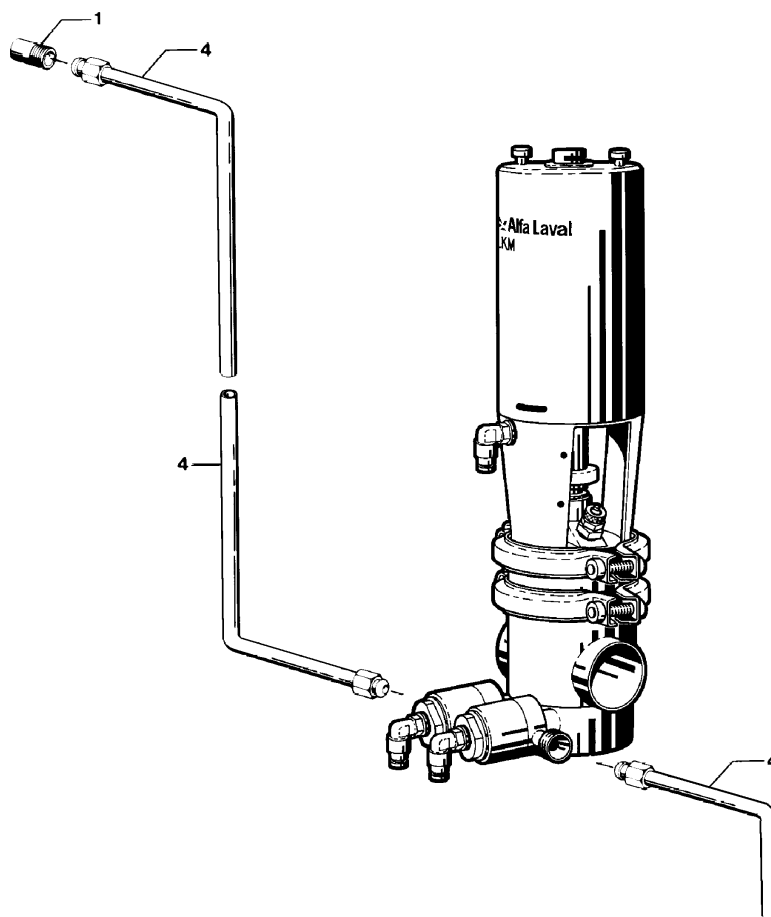
Pos	Qty.	Denomination	9612-4970-08 NW 40 / NW 50 38 mm / 51 mm	9612-4970-09 NW 65	9612-4970-10 NW 80 63.5 mm	9612-4970-11 NW 100 76 mm	101.6 mm
5	1	Guide ring .....	9612-3855-09	9612-3855-10	9612-3855-11	9612-3855-12	
6	1	Guide piston .....	9612-3854-09	9612-3854-10	9612-3854-11	9612-3854-12	

All other parts: Common tool parts.

# Installation kit C for SMP-BCA valve

Central States Industrial  
2700 Partnership Boulevard  
Springfield, MO 65803  
800.654.5635  
<http://www.csidesigns.com>

12



Central States Industrial  
2700 Partnership Boulevard  
Springfield, MO 65803  
800.654.5635  
<http://www.csidesigns.com>  
Installation kit C

**Installation kit C  
for SMP-BCA valve**

<b>Pos.</b>	<b>Qty.</b>	<b>Denomination</b>	<b>9612-4178-01</b>
1	1	Welding male part .....	31357-0747-1
4	3	Leakage tube, OD/ID 12/10, AISI 316 L ...	31357-1001-3