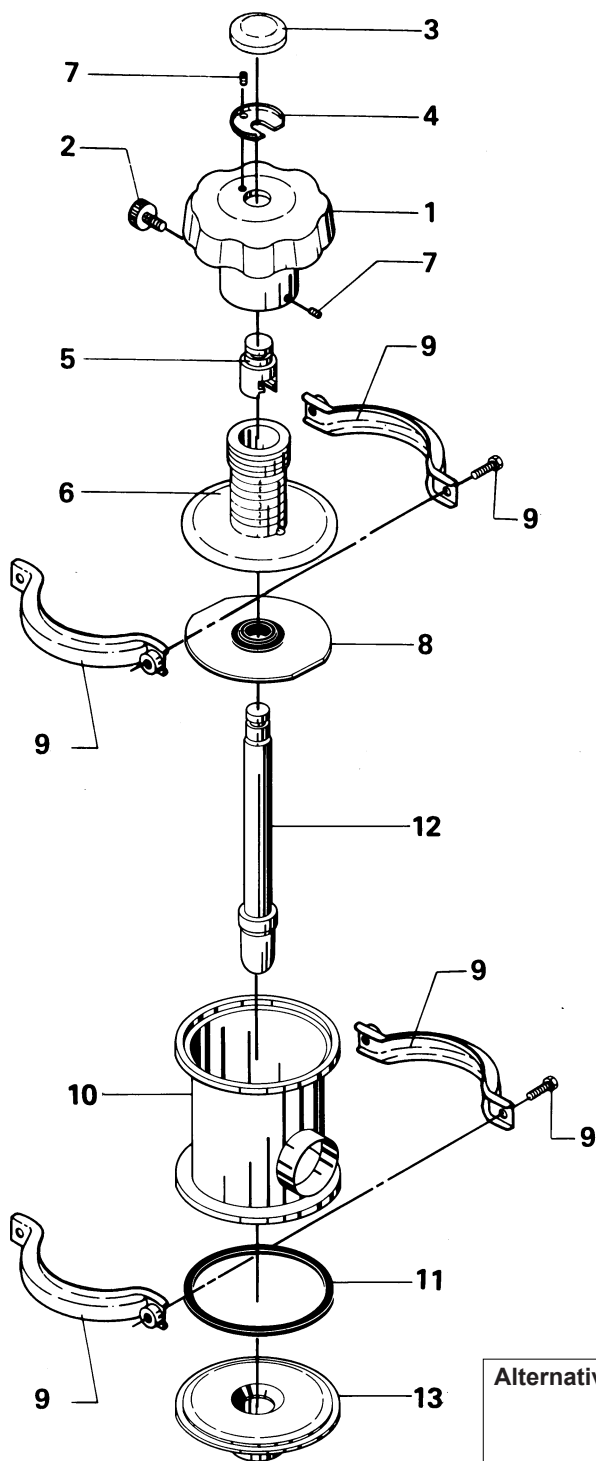


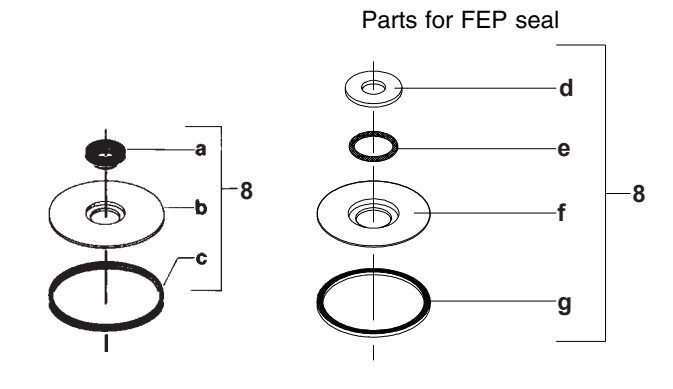
Fine-adjustment Regulating Valve Type SMO-RF

Central States Industrial
2700 Partnership Boulevard
Springfield, MO 65803
800.654.5635
<http://www.csidesigns.com>

2



Alternatives Stem seal



Fine-adjustment Regulating Valve Type SMO-RF

Pos.	Qty	Denomination	
	1	Operating mechanism complete	31353-0531-1
1	1	Hand wheel	31353-0528-1
2	1	Lock screw	31353-0529-1
3	1	Cap	31353-0468-1
4	1	Washer	31353-0467-1
5	1	Stem holder	31353-0466-1
6	1	Guide	31353-0459-1
7	2	Set screw	221581-92

Lip seal

8 ^Δ	1	Lip seal, EPDM	31353-0155-1
	1	Lip seal, NBR	31353-0155-2
	1	Lip seal, FPM	31353-0155-3

Clamp

9	2	Clamps and screws	31320-0027-1
---	---	-------------------------	--------------

Valve body

10	1	Valve body	31353-0266-1
11 ^Δ	1	Packing, EPDM	31353-0128-1
	1	Packing, NBR	31353-0128-2
	1	Packing, FPM	31353-0128-3
	1	Packing, PTFE	31353-0451-1

Valve Plug and Seat

12	1	Valve plug	31353-0546-1
13	1	Valve seat	31353-0272-2

^Δ	Service kit, EPDM	9611-92-0139
^Δ	Service kit, NBR	9611-92-0140
^Δ	Service kit, FPM	9611-92-0141

Parts marked with ^Δ are included in the **service kits**.

Alternatives

Stem seal

8	1	Lip seal kit, EPDM (standard)	9611-92-0078
	1	Lip seal kit, NBR	9611-92-0079
	1	Lip seal kit, FPM	9611-92-0080
a●	1	Lip seal, EPDM	9612-2806-01
	1	Lip seal, NBR	9612-2806-02
	1	Lip seal, FPM	9612-2806-03
b	1	Plate	9612-2805-01
c●	1	Seal ring, EPDM	31353-0128-1
	1	Seal ring, NBR	31353-0128-2
	1	Seal ring, FPM	31353-0128-3

Stem seal

8 d	1	Washer	31353-0452-1
e●	1	O-ring FEP/Silicone	9611-99-2909
f	1	Holder	31353-0453-1
g●	1	Valve body packing	31353-0451-1

Service kits special lip seals (marked ●)

●	Service kit EPDM	9611-92-0495
●	Service kit NBR	9611-92-0496
●	Service kit FPM	9611-92-0499
●	Service kit FEP	9611-92-0498

Recommended spare parts: Pos. 3,7 and **Service Kit**.