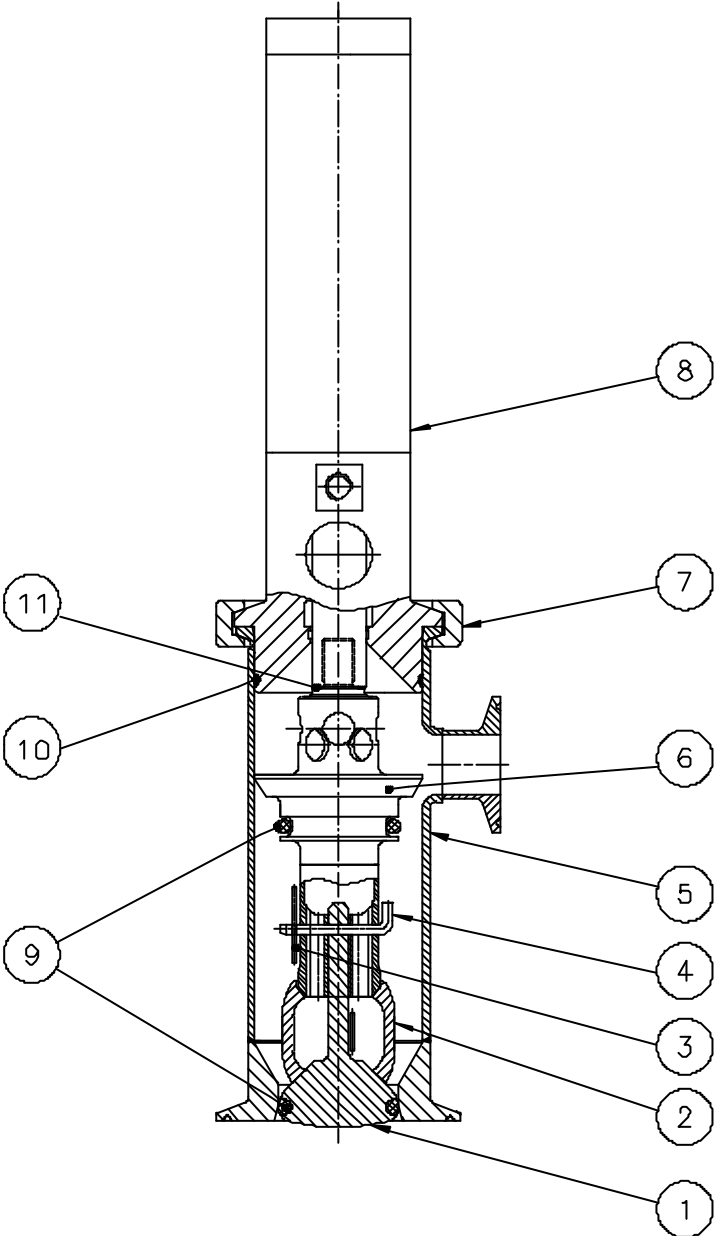


Central States Industrial
2700 Partnership Boulevard
Springfield, MO 65803
800.654.5635
<http://www.csidesigns.com>

Exploded View Drawing, Toffejorg SaniMidget Retractor, Media Driven



Central States Industrial
 2700 Partnership Boulevard
 Springfield, MO 65803
 800.654.5635
<http://www.csidesigns.com>

Reference List of Parts, Toftejorg SaniMidget Retractor, Media Driven

Pos.	Ref. no.	No/ Unit	Description	Material	Remarks
1	TE75M502	1	Valve	AISI 316L	Spare part
2	TE75M533	1	Cleaner head	PEEK	Wear part
3	TE52D549	1	Spring pin	AISI 316L	Spare part
4	TE75M529	1	Lock-pin	AISI 316L	Spare part
5	See table*	1	Front tube, complete	Assy	
6	TE75M310	1	Piston, complete, stroke length = 100	Assy	Spare part
	TE75M310-15	1	Piston, complete, stroke length = 150	Assy	Spare part
	TE75M310-25	1	Piston, complete, stroke length = 250	Assy	Spare part
7	TE51S126	1	Clamp ring	AISI 304	Spare part
8	TE75M300	1	Media drive unit, complete. Stroke length = 100	Assy	Spare part
	TE75M300-15	1	Media drive unit, complete. Stroke length = 150	Assy	Spare part
	TE75M300-25	1	Media drive unit, complete. Stroke length = 250	Assy	Spare part
9	TE51T166	2	O-ring	EPDM	Wear part
	TE51T167	2	O-ring	Viton	Wear part
	TE51T168	2	O-ring	Perlast	Wear part
10	TE51T169	1	O-ring	EPDM	Wear part
	TE51T170	1	O-ring	Viton	Wear part
	TE51T171	1	O-ring	Perlast	Wear part
11	TE75M508	1	Gasket	PEEK	Spare part

*) Pos. 5, Front tube, complete
 Tank connection

Stroke length	Welding		Clamp	2" Union			
	DIN 11.850	3" ISO/US	3"	DIN 11.851	DS 722	BS 4825	SMS 1145
100	TE75M315	TE75M316	TE75M318	TE75M319	TE75M320	TE75M321	TE75M322
150	-15	-15	-15	-15	-15	-15	-15
250	-25	-25	-25	-25	-25	-25	-25

Standard Spare Part Kit for SaniMidget Retractor, Article No. TE75M299

Part No.	Description	No.
TE75M533	Cleaner head	1 pc.
TE52D549	Spring pin	1 pc.
TE75M529	Lock-pin	1 pc.
TE51T166	O-ring	2 pcs.
TE51T169	O-ring	1 pc.