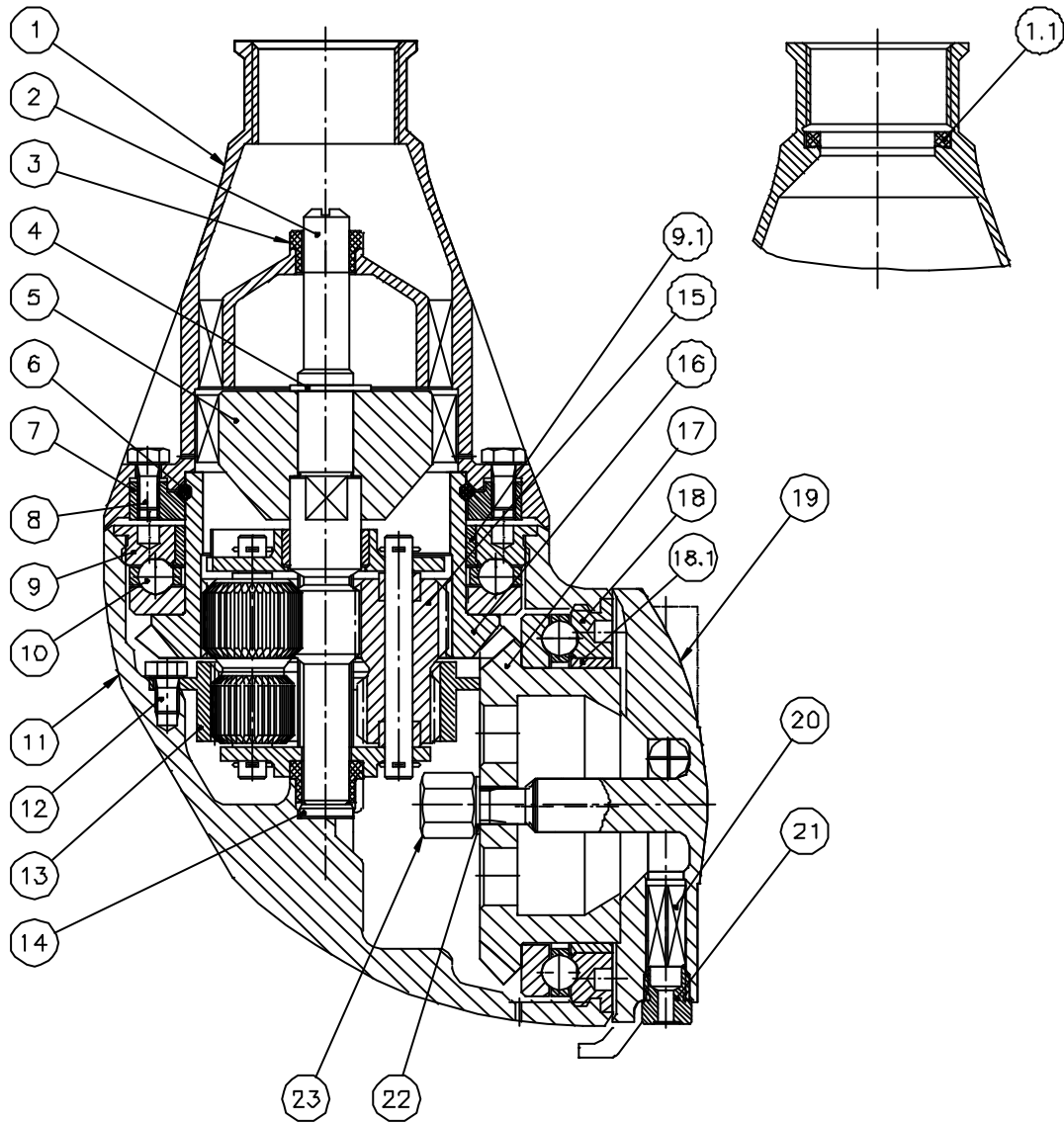


Cross Sectional Drawing, Toftejorg TJ20G



Reference List of Parts, Toftejorg TJ20G

Pos.	Ref. No.	No/Unit	Description	Remarks
1	TE20G500	1	Cone 1" BSP	Spare part
	TE20G501	1	Cone 1" NPT	Spare part
	TE20G502	1	Cone 1" BSP f. sanitary conn.	Spare part
1.1	TE51T212	1	Gasket, EPDM	Spare part
2	TE20G550	1	Turbine shaft	Spare part
3	TE20G549	2	Bearing for Turbine shaft	Wear part
4	TE51C201	1	Circlip	Spare part
5	TE20G553	1	Impeller (ø3.5/3.9 mm nozzle)	Spare part
	TE20G554	1	Impeller (ø4.5/4.6 mm nozzle)	Spare part
	TE20G555	1	Impeller (ø5,5 mm nozzle)	Spare part
	TE20G595	1	Impeller (ø3.5/3.9 mm nozzle), PEEK	Spare part
	TE20G596	1	Impeller (ø4.5/4.6 mm nozzle), PEEK	Spare part
	TE20G597	1	Impeller (ø5.5 mm nozzle), PEEK	Spare part
6	TE20G565	1	Retainer spring	Spare part
7	TE20G563	1	Retaining ring	Spare part
8	TE51A172	4	Screw	Spare part
9	TE20G622	1	Stem nut with ball race	Wear part
9.1	TE20G621	1	Bushing, PEEK	Wear part
10	TE20G318	2	Ball retainer with balls	Wear part
11	TE20G512	1	Body	Spare part
12	TE51A170	3	Screw	Spare part
13	TE20G525	1	Internal gear	Spare part
14	TE20G558	1	Slide bearing	Wear part
15	TE20G330	1	Carrier assembly	Spare part
15.1	TE51C102	2	Cotter pin	Spare part
15.2	TE20G541	2	Shaft for Planet wheel	Spare part
15.3	TE20G545	1	Carrier bearing	Wear part
15.4	TE20G535	1	Planet wheel I	Wear part
15.5	TE20G536	1	Planet wheel II	Wear part
15.6	TE20G530	1	Planet gear carrier	Spare part
15.7	TE51C102	2	Cotter pin (= pos. 15.1)	Spare part
16	TE20G319	1	Stem complete	Spare part
16.1	TE20G624	1	Stem	Spare part
16.2	TE20G574	1	Ball race	Wear part
17	TE20G320	1	Hub complete	Spare part
17.1	TE20G625	1	Hub	Spare part
17.2	TE20G574	1	Ball race (= pos. 16.2)	Wear part
18	TE20G623	1	Hub nut with ball race	Wear part
18.1	TE20G621	1	Bushing, PEEK	Wear part
19	TE20G620	1	Hub cover	Spare part
20	TE20G594	8	Nozzle vane	Spare part
21	TE20G608	4	Nozzle ø3,9 mm	Spare part
	TE20G609	4	Nozzle ø4,6 mm	Spare part
	TE20G605	4	Nozzle ø5,5 mm	Spare part
22	TE20G584	1	Washer	Spare part
23	TE51A521	1	Cap nut	Spare part

Standard Spare Part kit for Toftejorg TJ20G,
Article No. TE20G299

Part No.	Description	No.
TE20G535	Planet wheel I	1 pcs.
TE20G536	Planet wheel I	1 pcs.
TE20G545	Bearing for Planet Gear carr.	1 pcs.
TE20G549	Bearing for Turbine shaft	2 pcs.
TE20G558	Slide bearing	1 pcs.

Service Kit for Toftejorg TJ20G PTFE, Article No. TE20G285

Part No.	Description	No.
TE20G549	Bearing for Turbine shaft	2 pcs.
TE20G318	Ball retainer w. balls	2 pcs.
TE20G558	Slide bearing	1 pcs.
TE20G535	Planet wheel I	1 pcs.
TE20G536	Planet wheel II	1 pcs.
TE51C102	Cotter pin	2 pcs.
TE20G584	Washer	1 pcs.
TE20G579	Liner	2 pcs.
TE20G574	Ball race	2 pcs.

Service Kit for Toftejorg TJ20G PEEK, Article No. TE20G286

Part No.	Description	No.
TE20G549	Bearing for Turbine shaft	2 pcs.
TE20G318	Ball retainer w. balls	2 pcs.
TE20G558	Slide bearing	1 pcs.
TE20G535	Planet wheel I	1 pcs.
TE20G536	Planet wheel II	1 pcs.
TE51C102	Cotter pin	2 pcs.
TE20G584	Washer	1 pcs.
TE20G621	Bushing	2 pcs.
TE20G574	Ball race	2 pcs.