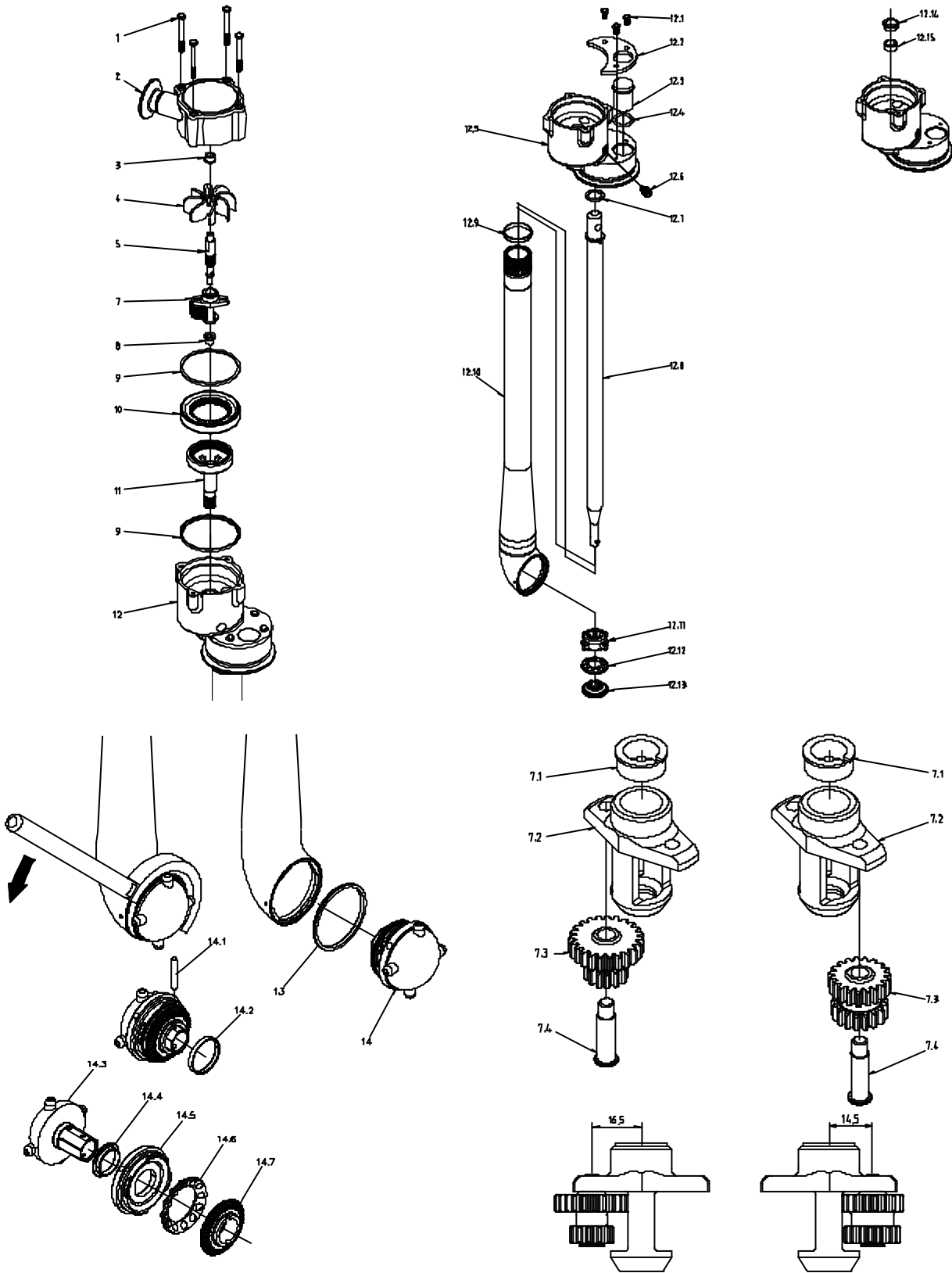


Exploded View Drawing, Toftejorg SaniJet 20, Turbine Driven



Reference List of Parts, Toftejorg SaniJet 20, Turbine Driven

Pos.	Ref. no.	No/ Unit	Description	Material	Remarks
1	TE51A224	4	Screw	A4-70	Spare part
2	TE20B371	1	Inlet cap ø23	AISI 316L	Spare part
	TE20B372	1	Inlet cap ø11	AISI 316L	Spare part
3	TE20B587	1	Bearing bush	PEEK 450G	Wear part
4	TE20B583	1	Impeller	PEEK 450G	Spare part
5	TE20B582	1	Impeller shaft	AISI 316L	Wear part
7			Planet gear	Assy	Wear part
7.1	TE20B600	1	Bearing bush	PEEK 450G	Wear part
7.2	TE20B589	1	Planet wheel carrier	AISI 316L	Spare part
7.3	TE20B590	1	Planet wheel T2	PEEK 450G	Wear part
	TE20B592	1	Planet wheel T1	PEEK 450G	Wear part
7.4	TE20B591	1	Shaft f. planet wheel	AISI 316L	Wear part
8	TE20B588	1	Bearing bush	PEEK 450G	Wear part
9	TE20B516	2	Gasket	EPDM	Wear part
	TE20B516-01	2	Gasket	Viton	Wear part
	TE20C516	2	Gasket	Perflour	Wear part
10	TE20B581	1	Gear ring T1	AISI 316L	Wear part
	TE20B593	1	Gear ring T2	AISI 316L	Wear part
11	TE20B598	1	Output shaft	AISI 316L	Wear part
12	TE20B309	1	Base unit, L = 350 mm	Assy	
	TE20B300	1	Base unit, L = 500 mm	Assy	
	TE20B301	1	Base unit, L = 700 mm	Assy	
	TE20B302	1	Base unit, L = 1000 mm	Assy	
	TE20B303	1	Base unit, L = 1200 mm	Assy	
	TE20B304	1	Base unit, L = 1500 mm	Assy	
	TE20B309-01	1	Base unit, L = 350 mm	Assy, Viton	
	TE20B300-01	1	Base unit, L = 500 mm	Assy, Viton	
	TE20B301-01	1	Base unit, L = 700 mm	Assy, Viton	
	TE20B302-01	1	Base unit, L = 1000 mm	Assy, Viton	
	TE20B303-01	1	Base unit, L = 1200 mm	Assy, Viton	
	TE20B304-01	1	Base unit, L = 1500 mm	Assy, Viton	
12.1	TE51A172	3	Screw	A4	Spare part
12.2	TE20B594	1	Bracket	AISI 304	Spare part
12.3	TE20B642	1	Plug	AISI 316L	Spare part
12.4	TE51T127	1	O-ring	EPDM	Wear part
	TE51T008	1	O-ring	Viton	Wear part
	TE51T129	1	O-ring	Perflour	Wear part
12.5	TE20B500	1	Base housing	AISI 316L	Spare part
12.6	TE20B512	1	Retaining screw	A4	Spare part
12.7	TE20B511	1	Plain seal	EPDM	Wear part
	TE20B511-01	1	Plain seal	Viton	Wear part
	TE20C511	1	Plain seal	Perflour	Wear part
12.8	TE20B538	1	Inner shaft, L = 350 mm	AISI 316L	Spare part
	TE20B532	1	Inner shaft, L = 500 mm	AISI 316L	Spare part

Reference List of Parts, Toftejorg SaniJet 20, Turbine Driven

Pos.	Ref. no.	No/ Unit	Description	Material	Remarks
	TE20B533	1	Inner shaft, L = 700 mm	AISI 316L	Spare part
	TE20B534	1	Inner shaft, L = 1000 mm	AISI 316L	Spare part
	TE20B535	1	Inner shaft, L = 1200 mm	AISI 316L	Spare part
	TE20B536	1	Inner shaft, L = 1500 mm	AISI 316L	Spare part
12.9	TE20B510	1	Bearing ring	PEEK 450G	Wear part
12.10	TE20B310	1	Outer tube, L = 350 mm	AISI 316L	Spare part
	TE20B311	1	Outer tube, L = 500 mm	AISI 316L	Spare part
	TE20B312	1	Outer tube, L = 700 mm	AISI 316L	Spare part
	TE20B313	1	Outer tube, L = 1000 mm	AISI 316L	Spare part
	TE20B314	1	Outer tube, L = 1200 mm	AISI 316L	Spare part
	TE20B315	1	Outer tube, L = 1500 mm	AISI 316L	Spare part
12.11	TE20B540	1	Ball race	SAF 2205	Wear part
12.12	TE20B360	1	Ball ring	ECTFE/AISI 316	Wear part
12.13	TE20B542	1	Bevel gear	SAF 2205	Wear part
12.14	TE20B513	1	Bearing bush	PEEK 450G	Wear part
12.15	TE20B514	1	Bearing bush	PEEK 450G	Wear part
13	TE20B553	1	Seal ring H	EPDM	Wear part
	TE20B553-01	1	Seal ring H	Viton	Wear part
	TE20C553	1	Seal ring H	Perflour	Wear part
14	TE20B324	1	Cleaner unit, 2xø2.0mm	Assy	
	TE20B325	1	Cleaner unit, 2xø3.8mm	Assy	
	TE20B326	1	Cleaner unit, 4xø4.2mm	Assy	
14.1	TE51C003	1	Pin	A4	Spare part
14.2	TE20B571	1	Clip ring	AISI 316L	Spare part
14.3	TE20B334	1	Cleaner head 2xø2.0mm	AISI 316L	Spare part
	TE20B335	1	Cleaner head 2xø3.8mm	AISI 316L	Spare part
	TE20B336	1	Cleaner head 4xø4.2mm	AISI 316L	Spare part
14.4	TE20B554	1	Bearing bush	PEEK 450G	Wear part
14.5	TE20B552	1	Retaining ring	AISI 316L	Wear part
14.6	TE20B361	1	Ball ring N	ECTFE/AISI 316	Wear part
14.7	TE20B550	1	Bevel gear	AISI 316L	Wear part

Standard Wear Part Kit in Viton for Toftejorg SaniJet 20 media driven version

Article no. TE20B296

Reference no.	No.	Description	Pos. no.
TE20B510	1	Bearing ring, top	12.9
TE20B513	1	Bearing bush D1	12.14
TE20B514	1	Bearing bush D2	12.15
TE20B511-01	1	Plain seal S	12.7
TE20B516-01	2	Gasket D	9
TE20B553-01	1	Seal ring H	13
TE51T008	1	O-ring	12.4
TE20B554	1	Bearing bush	14.4
TE20B587	1	Bearing bushing M	3
TE20B588	1	Bearing bushing	8
TE20B600	1	Bearing bushing D1	7.1

Standard Wear Part Kit in EPDM for Toftejorg SaniJet 20 media driven version

Article no. TE20B299

Reference no.	No.	Description	Pos. no.
TE20B510	1	Bearing ring, top	12.9
TE20B513	1	Bearing bush D1	12.14
TE20B514	1	Bearing bush D2	12.15
TE20B554	1	Bearing bush	14.4
TE20B587	1	Bearing bushing M	3
TE20B588	1	Bearing bushing	8
TE20B600	1	Bearing bushing D1	7.1
TE20B511	1	Plain seal S	12.7
TE20B516	2	Gasket D	9
TE20B553	1	Seal ring H	13
TE51T127	1	O-ring	12.4

Standard Spare Part Kit in EPDM for Toftejorg SaniJet 20

Article no. TE20B297

Reference no.	No.	Description	Pos. no.
TE20B511	1	Plain seal S	12.7
TE20B516	2	Gasket D	9
TE20B553	1	Seal ring H	13
TE51T127	1	O-ring	12.4

Central States Industrial
2700 Partnership Boulevard
Springfield, MO 65803
800.654.5635
<http://www.csidesigns.com>

Optional Spare Part Kit in **Viton** for Toftejorg SaniJet 20

Article no. TE20B298

Reference no.	No.	Description	Pos. no.
TE20B511-01	1	Plain seal, Viton	12.7
TE20B516-01	2	Gasket, Viton	9
TE20B553-01	1	Seal ring H, Viton	13
TE51T008	1	O-ring	12.4

Tools

Reference no.	Description
TE462A	Socket Wrench w. pin
TE20B701	Hook spanner