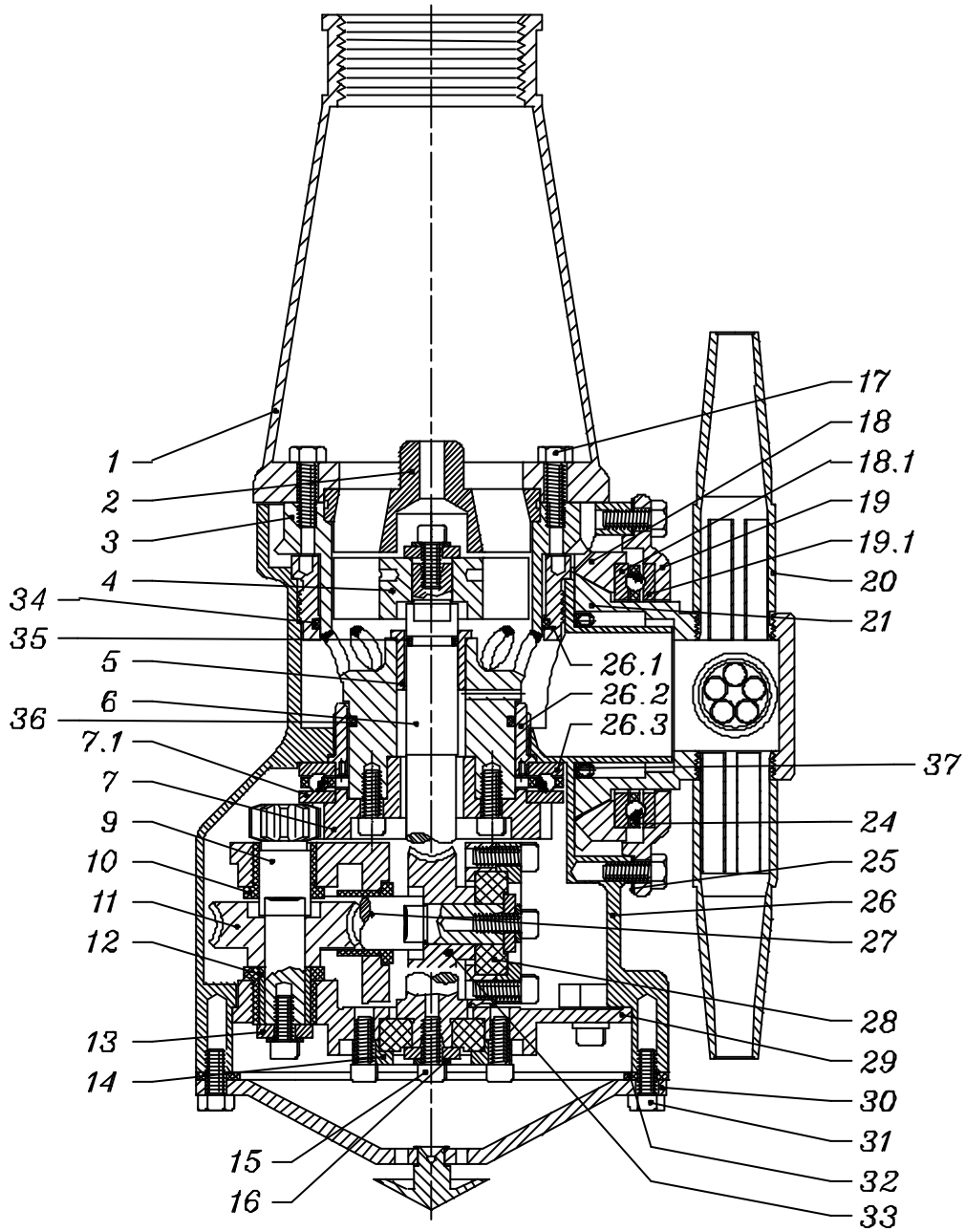


Central States Industrial  
2700 Partnership Boulevard  
Springfield, MO 65803  
800.654.5635  
<http://www.csidesigns.com>

Cross Sectional Drawing, Toftejorg TZ-74 Brew Kettle



Central States Industrial  
 2700 Partnership Boulevard  
 Springfield, MO 65803  
 800.654.5635  
<http://www.csidesigns.com>

Reference List of Parts, Toftejorg TZ-74 Brew Kettle

Pos.	Ref. No.	No/Unit	Description	Material	Remarks
1	TE21D500	1	Top Cone 1½" BSP	AISI 316L	Spare part
	TE21D501	1	Top Cone 1½" NPT	AISI 316L	Spare part
2	TE703	1	Guide 100%	AISI 316L	Spare part
	TE803-0	1	Guide ring 0%	AISI 316L	Spare part
3	TE21D557	1	Stem	AISI 316L	Spare part
4	TE705	1	Impeller 100%	AISI 316L	Spare part
5	TE21A525	1	Main bush	PEEK	Wear part
6	TE21F503	1	Turbine shaft	AISI 316L	Wear part
7	TE712-13	1	Gear wheel w. ball race	AISI 316L	Spare part
7.1	TE826-1	1	Ball race	AISI 316L	Wear part
9	TE814	1	Pinion	AISI 316L	Spare part
10	TE21A585	3	Collar bush	PEEK	Wear part
11	TE21A367	1	Wormwheel w. reinforcem.	PEEK	Wear part
12	TE817	1	Journal	AISI 316L	Spare part
13	TE719A	4	Washer	AISI 316L	Spare part
14	TE731	2	Bearing cover	AISI 316L	Spare part
15	TE118	22	Screw	AISI 316	Spare part
16	TE156	8	Springwasher	AISI 316	Spare part
17	TE402H	6	Hex Screw	AISI 316	Spare part
18	TE722S	1	Bevel gear w. ball race	AISI 316L	Spare part
18.1	TE826-1	1	Ball race	AISI 316L	Wear part
19	TE21D340	1	Hub cover w. ball race	AISI 316L	Spare part
19.1	TE826-1	1	Ball race	AISI 316L	Wear part
20	TE50A006	4	Nozzle, ø6 mm	AISI 316L	Spare part
	TE50A007	4	Nozzle, ø7 mm	AISI 316L	Spare part
	TE50A008	4	Nozzle, ø8 mm	AISI 316L	Spare part
21	TE21C536	1	Hub	AISI 316L	Spare part
24	TE21A380	2	Ball retainer w. balls	Tefzel200/AISI316	Spare part
25	TE21D562	1	Hub gasket	Teflon TFM	Spare part
26	TE727Z4	1	Body	AISI 316L	Not available
26.1	TE21D558	1	Main collar upper	PEEK	Wear part
26.2	TE21B521	1	Main collar lower	PEEK	Wear part
26.3	TE826-1	1	Ball race	AISI 316L	Wear part
27	TE828Z	1	Horizontal shaft	AISI 316L	Wear part
28	TE21A570	2	Slide bearing	PEEK	Wear part
29	TE730	1	Gear frame	AISI 316L	Spare part
30	TE21D350	1	Bottom cover compl.	AISI 316L	Spare part
31	TE421H	10	Hex Screw	AISI 316L	Spare part
32	TE21D563	1	Bottom gasket	Teflon TFM	Spare part
33	TE21A367	1	Wormwheel w. reinforcem.	PEEK	Wear part
34	TE807	1	O-ring	Viton	Wear part
35	TE810	1	O-ring	Viton	Wear part
36	TE825	1	O-ring	Viton	Wear part
37	TE21B549	1	Lip seal	ACO212CF	Wear part

Central States Industrial  
2700 Partnership Boulevard  
Springfield, MO 65803  
800.654.5635  
<http://www.csidesigns.com>

**Standard Spare Parts Kit, Toftejorg TZ-74 Brew Kettle, Article No. TE21D297**

Part No.	Description	No.
TE21A525	Main bush, PEEK	1 pcs.
TE21A585	Collar bush, PEEK	3 pcs.
TE21A570	Slide bearing, PEEK	2 pcs.
TE21A367	Worm wheel, PEEK	2 pcs.
TE807	O-ring	1 pcs.
TE810	O-ring	1 pcs.
TE825	O-ring	1 pcs.
TE21B549	Lip Seal	1 pcs.

**Standard Tool kit for Toftejorg TZ-74/TZ-74 Self Cleaning version/TZ-74 Brew Kettle version, Article No. TE81B055**

Tool No.	Description
TE134	Hex Key for Screw
TE134A	Hex Screwdriver for Screw
TE462A	Socket wrench for Hex Screw