

Pos.	Qty.	Denomination	Code No.
1	1	40 deg hopper	540025
1A	1	60 deg hopper	540026
2	1	Reducer	9634039718
3	2	Clamp	212195
3	1	Clamp	212195
4	2	Gasket BUNA	298452
4	1	Gasket BUNA	298452
5A	1	Valve handle	331015
7	1	Diffuser	9634016301
8	3	Clamp	212196
8	4	Clamp	212196
9	3	Gasket BUNA	298453
9	4	Gasket BUNA	298453
10	1	Inlet adapter	9634016701
11	1	Butterfly valve (F1114)	9611444919
11	1	Butterfly valve (F2114)	9611444929
12	1	Casing	9634017701
12A	1	Screen	9634017501
13	1	Impeller screw	9634017301
14	1	O-ring BUNA	751949
14A	1	O-ring BUNA	300543
15	1	Impeller (F1114)	9634017401
15A	1	Impeller (F2114)	9634031601
16 ●○	1	Casing gasket BUNA	482737
16 ●○	1	Casing gasket EPDM	480109
16 ●○	1	Casing gasket SFY	480633
17	1	Backplate (F1114)	9634017801
17A	1	Backplate (F2114)	482891
22	1	casing clamp	9634048224
23	1	Adapter ing	9634017901
25 ●○	1	Carbon seal	480739
26 ●○	1	Seal O-ring BUNA	755370
26 ●○	1	Seal O-ring EPDM	750132
26 ●○	1	Seal O-ring SFY	750077
27 ●	1	Cup	482866
28 ●	1	Spring	482867
30	1	Deflector	540160
30A ●○	1	Deflector O-ring BUNA	480479
30A ●○	1	Deflector O-ring EPDM	480226
30A ●○	1	Deflector O-ring SFY	480656
31	1	Stubshaft (F1114)	9634018001
31A	1	Stubshaft (F2114)	9634031701
37	6	Spacer	9634018101
39	1	Baseplate	9634018201
40	4	Leg O-ring	296257
41	4	Adjustable leg	580022
43	6	Socket head capscrew	189753
50	1	Motor	contact factory
50B	4	Capscrew	189888
50C	4	Lockwasher	189971
52	1	Drive collar	480988
53	2	Setscrews	189840

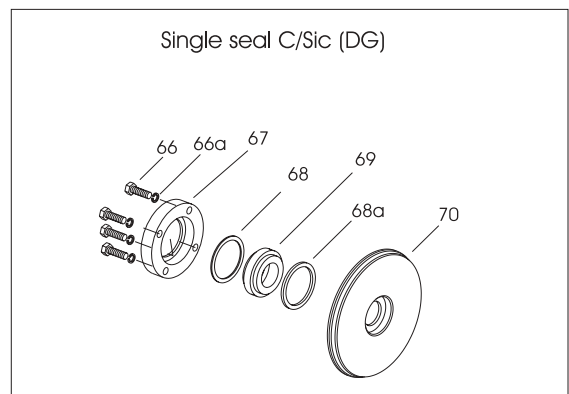
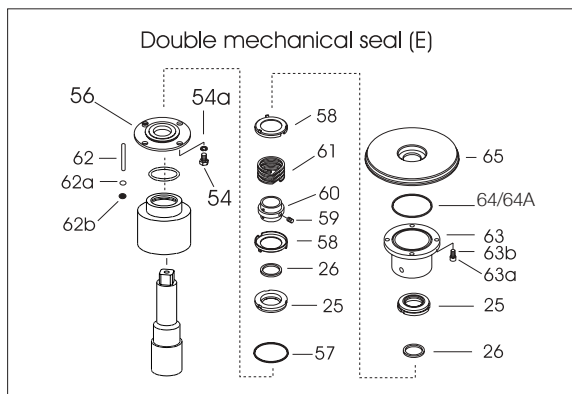
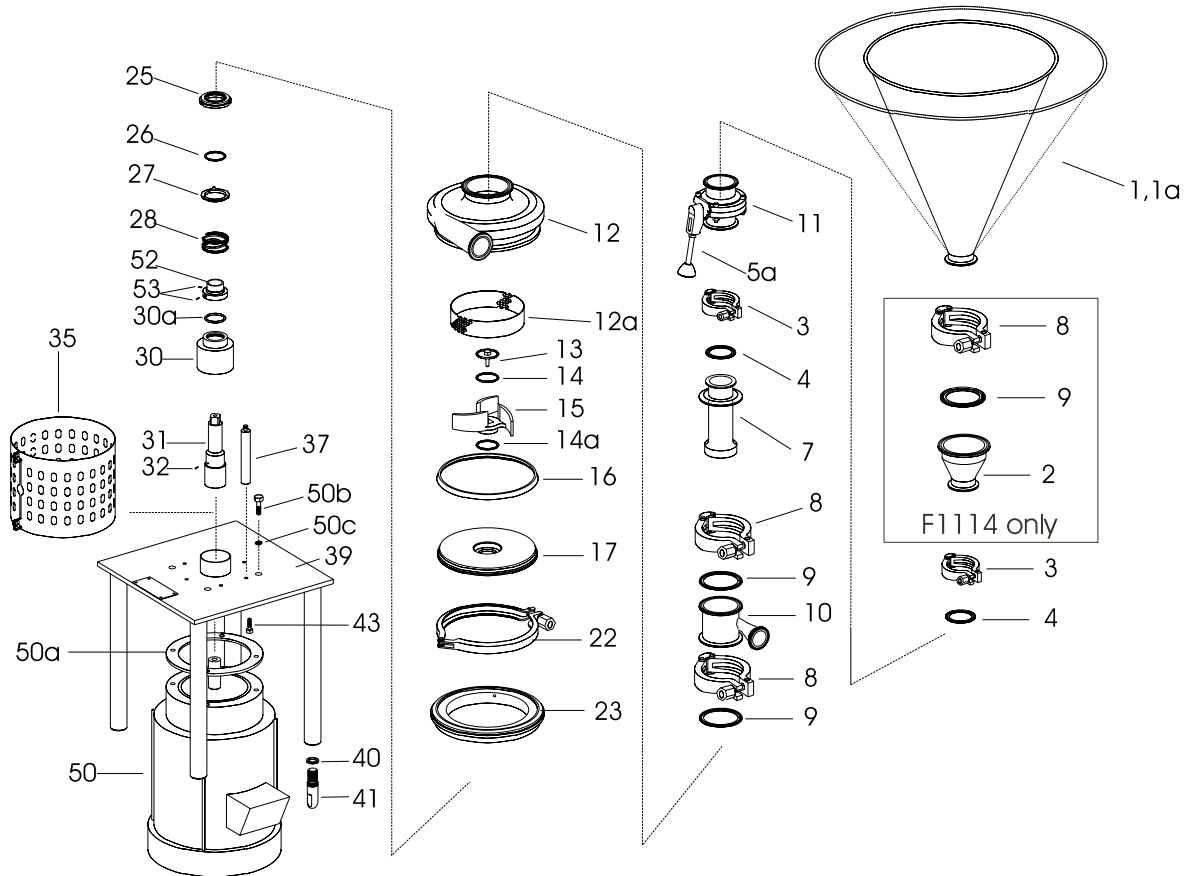
- included in Service Kits for D Seal
- included in Service Kits for E Seals
- included in Service Kits for MDG Seals

- Buna 9613990497
- EPDM 9613990498
- SFY 9613990499
- Buna 9613990503
- EPDM 9613990504
- SFY 9613990505
- SC 9613990500
- CER 9613990501
- TC 9613990502

F1114L & F2114 Blender

Central States Industrial
 2700 Partnership Boulevard
 Springfield, MO 65803
 800.654.5635
<http://www.csidesigns.com>

16



Pos.	Qty.	Denomination	Code No.
54	4	Socket head capscrew	180142
54A	4	Lockwasher	189985
56	1	Follower	481811
57	○	Follower O-ring BUNA	755469
57	○	Follower O-ring EPDM	750134
57	○	Follower O-ring SFY	751544
58	○	Cup (E seal)	481327
59	2	Set screws	189838
60	1	Collar (E seal)	481270
61	○	Spring (E seal)	481324
63	1	Stuffing box	481844
63A	4	Socket head capscrew	180457
63B	4	Lockwasher	180086
64	○	Follower O-ring BUNA	751064
64	○	Follower O-ring EPDM	751538
64	○	Follower O-ring SFY	751305
64A	1	O-ring	755469
65	1	Backplate (E seal F1114)	9634042401
65A	1	Backplate (E seal F2114)	482268
66	4	Capscrew	180126
66A	4	Lockwasher	189985
67	1	Gland ring	480275
68	■	PTFE gasket inboard	481520
69	■	Seal seat (Ceramic)	480351
69A	■	Seal seat (SC)	481518
69B	■	Seal seat (Tungsten)	480470
70	1	Backplate (DG, F1114)	9634042301
70A	1	Backplate (DG, F2114)	480274

- included in Service Kits for D Seal
- included in Service Kits for E Seals
- included in Service Kits for MDG Seals

- Buna 9613990497
- EPDM 9613990498
- SFY 9613990499
- Buna 9613990503
- EPDM 9613990504
- SFY 9613990505
- SC 9613990500
- CER 9613990501
- TC 9613990502

