

SP Series  
Base Mounted Centrifugal Pumps

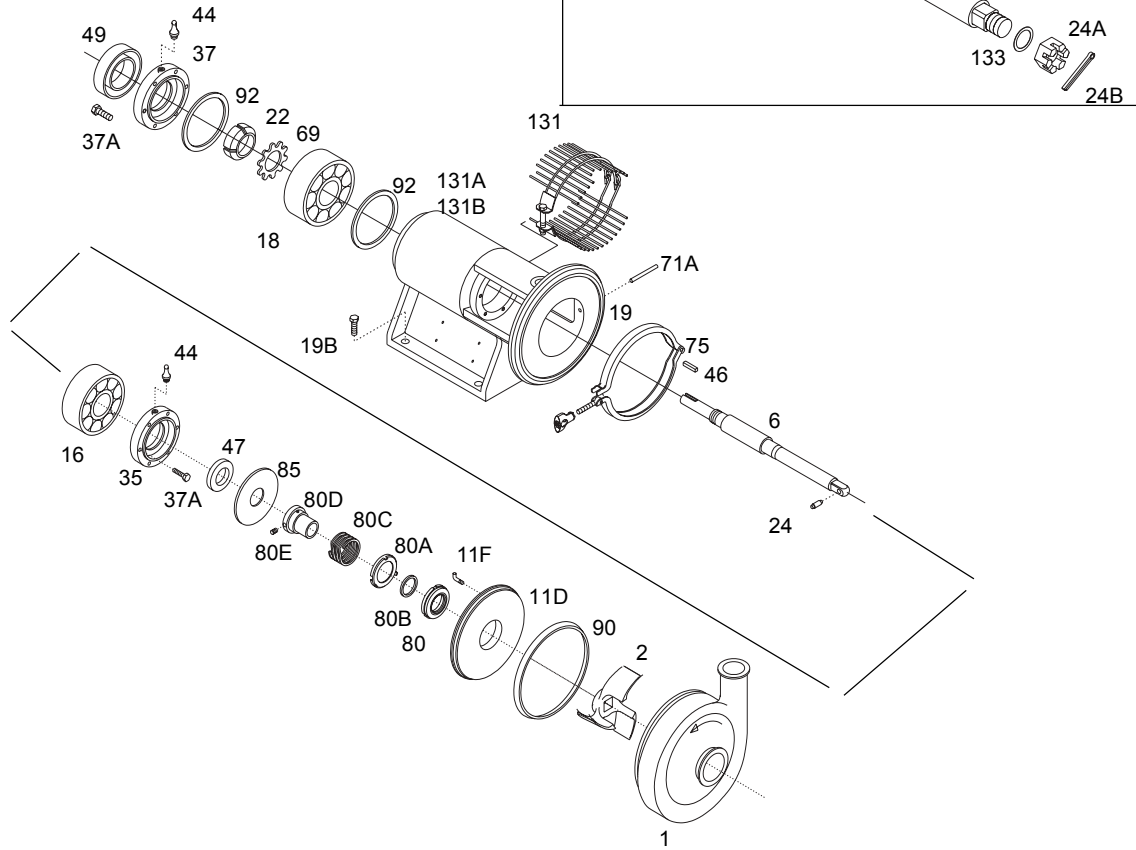


800.654.5635  
www.csidesigns.com

2

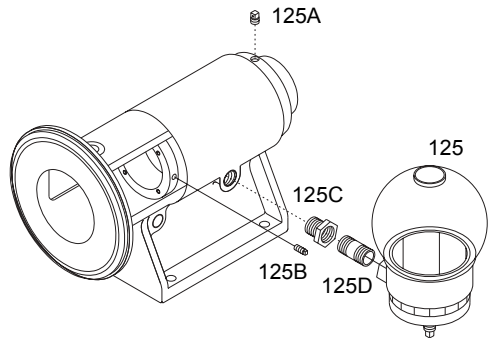
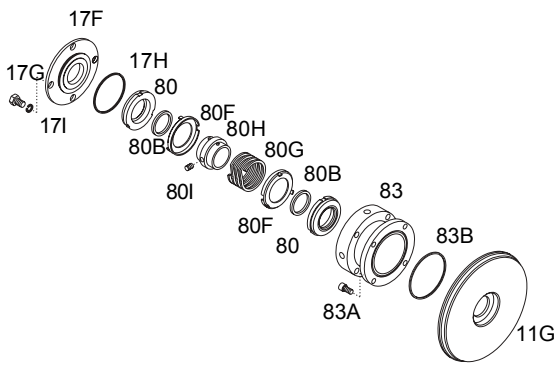
SP Series Pump with Floating Retainer

Threaded Shaft and Castellated Nut Retainer System for Use with Type D, F or E Seals



Type E Water Cooled Balanced Double Seal

Optional Power Frame Oiler

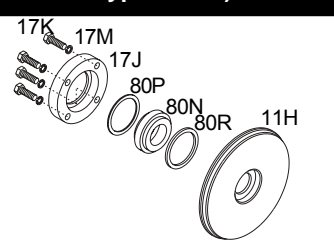
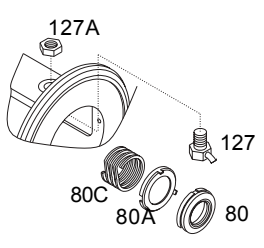
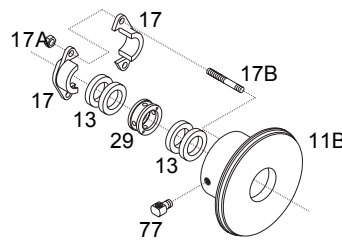
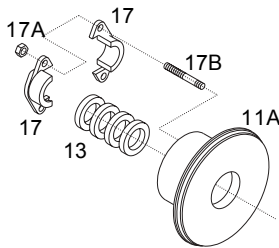


A Packing Gland Seal

B Packing Gland Seal with Water

F External Seal with Water Flush

Additional Type DG Clamped-in Seal Seat Components (For use with type D seal)



Sp Series  
 Base Mounted Centrifugal Pumps

Pos.	Qty.	Description	SP114	SP216	SP218	SP328	SP4410
1	1	Tri-Clamp casing .....	482815	483122	483755	483841	487978
1	1	Tri-Clamp casing enlarged inlet .....	483097	483123	483770	484750	488355
1	1	Tri-Clamp circular .....	480611	480116	480367	480363	*****
1	1	Tri-Clamp unpolished .....	482823	483627	483724	484742	480359
1	1	Tri-Clamp unpolished enlarged inlet .....	483172	483160	483775	*****	480585
1	1	bevel seat casing .....	480980	483642	483761	481779	487986
1	1	NPT casing .....	481373	483689	483756	485059	487985
1	1	Flanged casing .....	*****	483607	483715	484110	487983
1	1	Flanged casing enlarged inlet .....	480388	483114	483769	484746	488354
2	1	Impeller full size .....	482810	483113	483723	483814	488031
6	1	Shaft pinned style .....	480539	483701	480544	480544	480546
6B	1	Shaft threaded style .....	483054	483680	484741	484741	488059
11A	1	Backplate-packing seal .....	481005	481607	480850	480850	*****
11B	1	Backplate packing water seal .....	*****	481611	480853	480853	488092
11D	1	Backplate d seal .....	482891	481620	480866	480866	488103
11F	2	Backplate pin .....	483263	483263	483263	483263	189972
11G	1	Backplate E seal .....	482268	482272	482277	482277	482455
11H	1	Backplate DG seal .....	480274	480174	480043	480043	480078
13	1	Packing .....	180648	180649	180647	180647	180647
16	1	Bearing ( inboard ) .....	188157	188256	188326	188326	188326
17	2	Split gland .....	180740C	180165C	180742C	180742C	180742C
17A	2	Nut (split gland) .....	189919	189920	189920	189920	189920
17B	2	Stud (split gland) .....	480099	480806	188593	188593	188593
17F	1	Follower .....	481811	482275	481211	481211	481211
17G	1	Machine screw .....	180142	189773	189773	189773	189773
17H	1	O-ring BUNA .....	755469	751064	751297	751297	751297
17H	1	O-ring EPDM .....	750134	751538	751634	751634	751634
17H	1	O-ring SFY .....	751544	751305	751307	751307	751307
17I	4	Lockwasher DG seal .....	N/A	189962	189962	189962	189962
17J	1	Gland ring DG seal .....	480275	480176	480050	480050	480050
17K	4	Bolt / screw DG seal .....	180126	180191	180191	180191	180191
17M	4	Lockwasher .....	189985	189962	189962	189962	189962
18	1	Bearing ( outboard ) .....	188160	188262	188332	188332	188332
19	1	Frame .....	481019	481605	480862	480862	488142
22	1	Locknut ( shaft ) .....	188162	188266	188336	188336	188336
24	1	Impeller retainer .....	482856	483441	484101	484101	480293
24A	1	Catellated nut .....	481039	480912	480914	480914	480914
24B	1	Cotter pin .....	480427	480424	755139	755139	755139
29	1	Seal cage .....	180219	180220	180221	180221	180221
35	1	Bearing cover ( inboard ) .....	180797	188301	188341	188341	188341
37	1	Bearing cover ( outboard ) .....	180796	188303	188343	188343	188343
37A	8	Bearing cover screw .....	180336	*****	*****	*****	*****
37A	10	Bearing cover screw .....	*****	180271	180015	180015	180015
44	2	Grease fitting .....	188071	180360	180360	180360	180360
46	1	Coupling key .....	401239	401588	484745	484745	484745
47	1	Bearing ( inboard ) .....	188167	188278	188351	188351	188351
49	1	Bearing seal ( outboard ) .....	483057	483625	484744	484744	484744

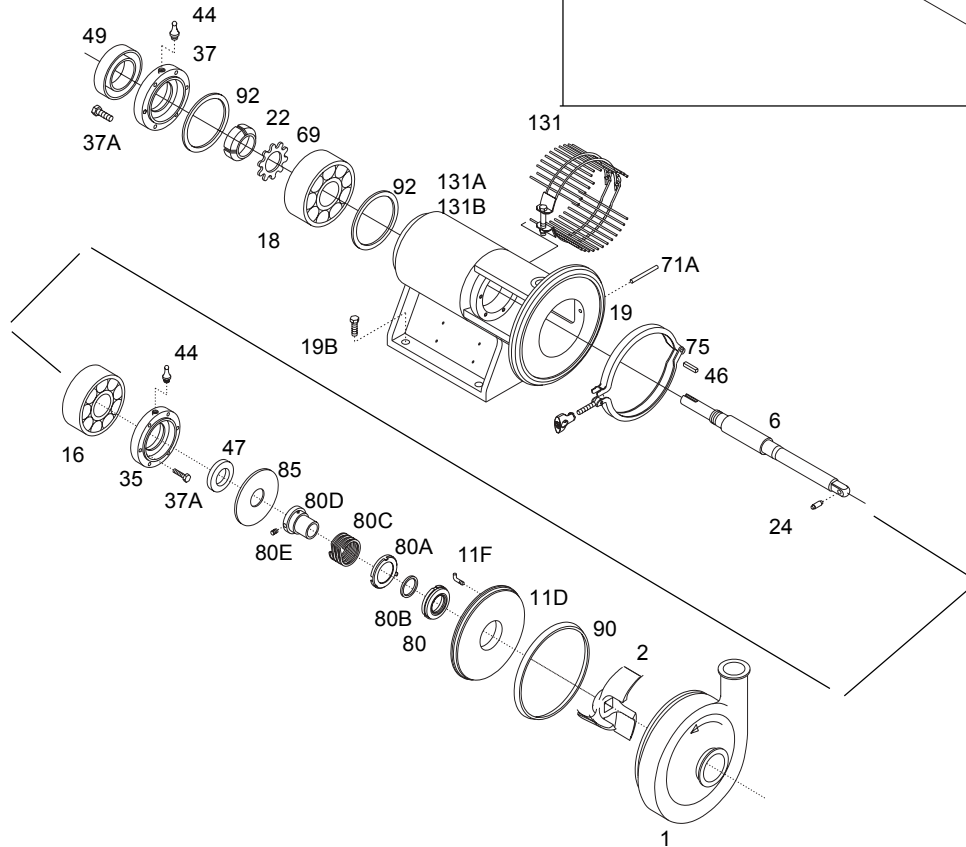
- included in D Balanced Service Kits
- included in E Balanced Service Kits
- included in DG Service Kits

# SP Series Base Mounted Centrifugal Pumps

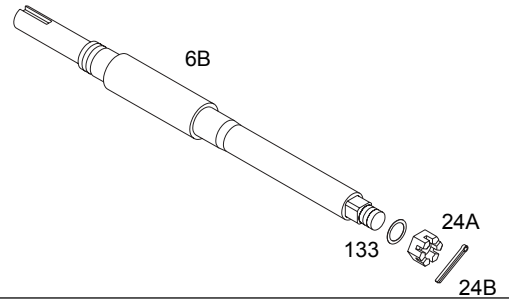
Central States Industrial  
2700 Partnership Boulevard  
Springfield, MO 65803  
800.654.5635  
<http://www.csidesigns.com>

4

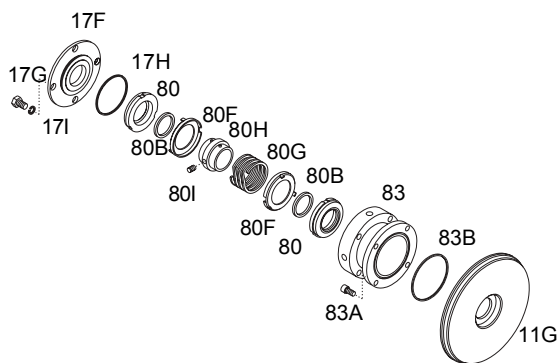
## SP Series Pump with Floating Retainer



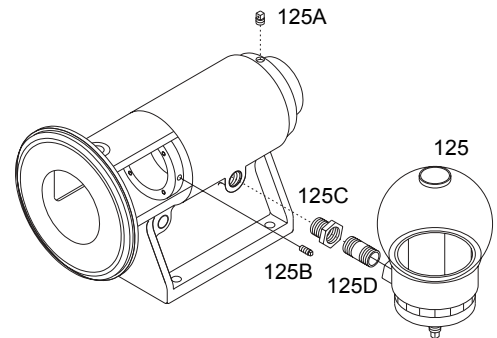
## Threaded Shaft and Castellated Nut Retainer System for Use with Type D, F or E Seals



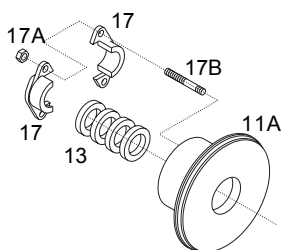
## Type E Water Cooled Balanced Double Seal



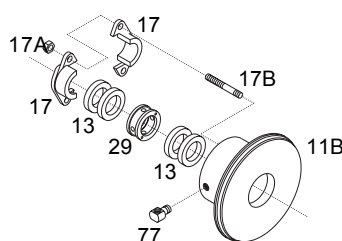
## Optional Power Frame Oiler



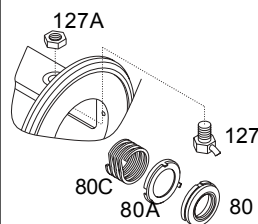
## A Packing Gland Seal



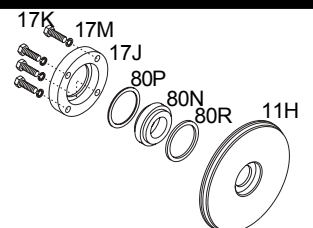
## B Packing Gland Seal with Water



## F External Seal with Water Flush



## Additional Type DG Clamped-in Seal Seat Components (For use with type D seal)



Pos.	Qty.	Description	SP114	SP216	SP218	SP328	SP4410
69	1	Lock washer .....	188169	188284	188355	188355	188355
71A	1	Adapter pin ( external seal ) .....	483396	481621	481621	481621	488079
75	1	Clamp assembly .....	481488	482258	480285	480285	481624
77	2	Elbow .....	182150	182150	182150	182150	182150
80	●●○	Carbon seal .....	480739	480510	480525	480525	480525
80A	●●●	Cup .....	482866	483601	484362	484362	484362
80B	●●○	O-ring BUNA .....	299060	300552	480479	480479	480479
80B	●●○	O-ring EPDM .....	290213	300027	480226	480226	480226
80B	●●○	O-ring SFY .....	290161	300064	480656	480656	480656
80C	●●○	Spring .....	482867	483602	484363	484363	484363
80D	1	Drive collar .....	480988	481628	480864	480864	480864
80E	2	Set screw .....	189815	189840	189840	189840	189840
80F	○	Cup (E balanced) .....	481327	481333	481209	481209	481209
80G	○	Spring (E balanced) .....	481324	481334	481210	481210	481210
80H	1	Drive collar (E balanced) .....	481270	481271	481212	481212	481212
80I	2	Set screw (E balanced) .....	189838	189819	189819	189819	189819
80N	■	Type DG seal seat (TC) .....	480470	480477	480466	480466	480466
80N	■	Type DG seal seat (SC) .....	481518	481519	481470	481470	481470
80N	■	Type DG seal seat (CER) .....	480351	480111	480238	480238	480238
80P	■	Gasket outboard (PTFE) .....	481520	481521	481522	481522	481522
80R	■	Gasket inboard (PTFE) .....	482807	482808	482809	482809	482809
83	1	Stuffing box (E-balanced) .....	481844	482276	482280	482280	482280
83A	4	Machine screw (E-balanced) .....	180457	180142	180705	180705	180705
83B	1	O-ring BUNA .....	751064	755489	755528	755528	755528
83B	1	O-ring EPDM .....	751538	750081	750575	750575	750575
83B	1	O-ring SFY .....	751305	750740	751306	751306	751306
85	1	Slinger .....	300989	300964	300967	300967	300967
90	●●○	Casing gasket BUNA .....	482737	483195	484083	484083	488389
90	●●○	Casing gasket EPDM .....	480109	480096	480232	480232	480729
90	●●○	Casing gasket SFY .....	480633	480201	480575	480575	480861
92	1	Shim-bearing (set) .....	180384	180383	180382	180382	180382
125	1	Oiler .....	188046	188046	188046	188046	188046
125A	1	Pressure relief valve .....	188068	188068	188068	188068	188068
125B	1	Pipe plug .....	181254	181254	181254	181254	181254
125C	1	Reducer .....	188063	188063	188063	188063	188063
125D	1	Nipple .....	188044	188044	188044	188044	188044
127	1	Water inlet assembly .....	480992	481614	481771	481771	481771
127A	1	Locknut .....	480990	480990	480990	480990	480990
131	1	Seal guard assembly .....	481834	481836	481838	481838	481840
133	1	Washer ( impeller .005 ) .....	481240	481243	481246	481246	481246
133	1	Washer ( impeller .010 ) .....	481241	481244	481247	481247	481247

- included in D Balanced Service Kits
- included in E Balanced Service Kits
- included in DG Service Kits

	SP114	SP216	SP218/328	SP4410
● Buna	9613990025	9613990028	9613990031	9613990034
● EPDM	9613990026	9613990029	9613990032	9613990035
● SFY	9613990027	9613990030	9613990033	9613990036
○ Buna	9613990001	9613990004	9613990007	9613990007
○ EPDM	9613990002	9613990005	9613990008	9613990008
○ SFY	9613990003	9613990006	9613990009	9613990009
■ Buna SC Stat.	482207	482208	482211	9613990512
■ EPDM SC Stat.	9613990454	9613990461	9634600055	9613990513
■ SFY SC Stat.	482212	482214	482215	9613990514
■ Buna CER Stat.	9613990455	9613990462	9613990468	9613990515
■ EPDM CER Stat.	9613990456	9613990463	9613990469	9613990516
■ SFY CER Stat.	9613990457	9613990464	9613990470	9613990517
■ Buna TC Stat.	9613990458	9613990465	9613990471	9613990518
■ EPDM TC Stat.	9613990459	9613990466	9613990472	9613990519
■ SFY TC Stat.	9613990460	9613990467	9613990473	9613990520

