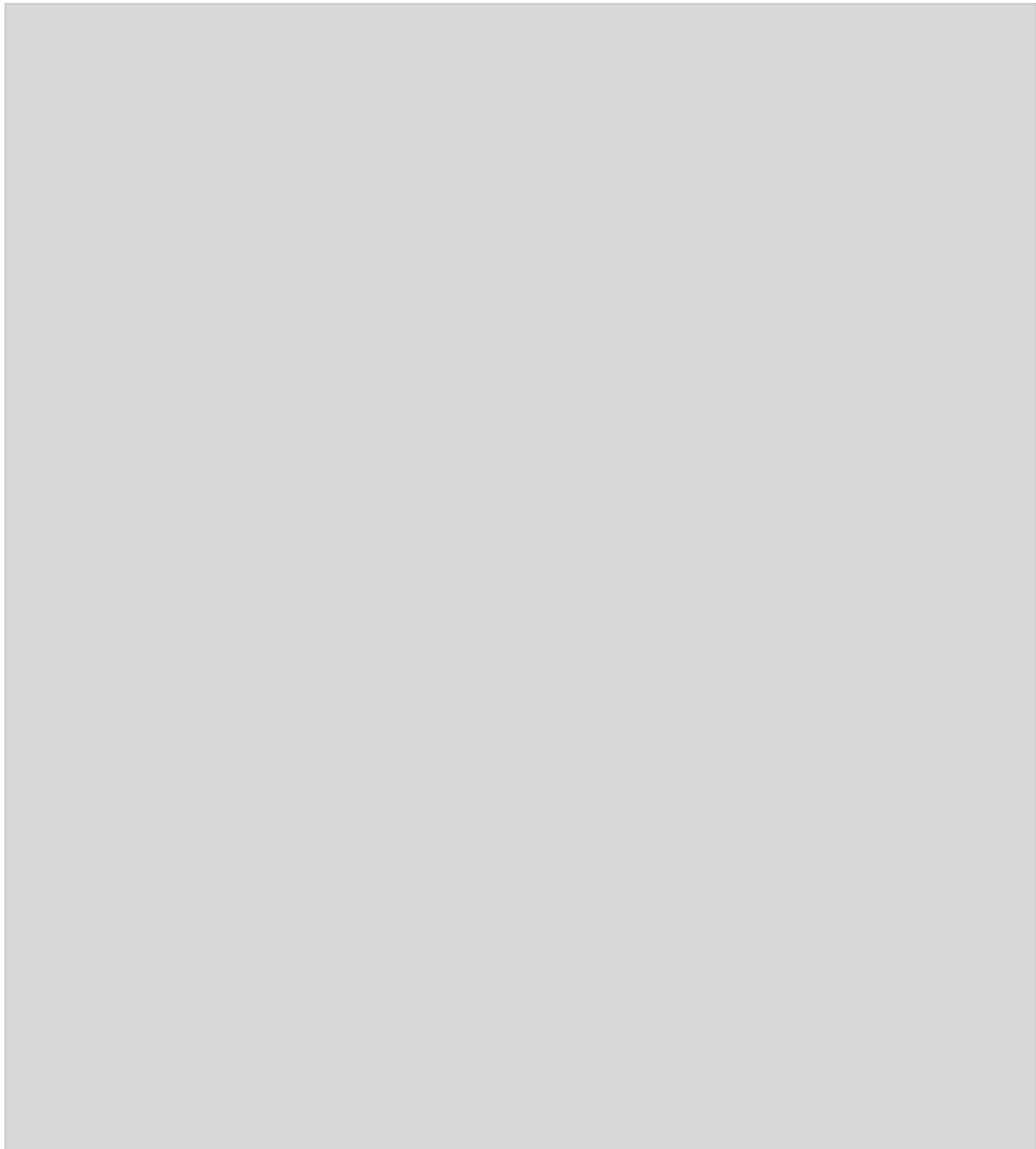


Spare Parts List

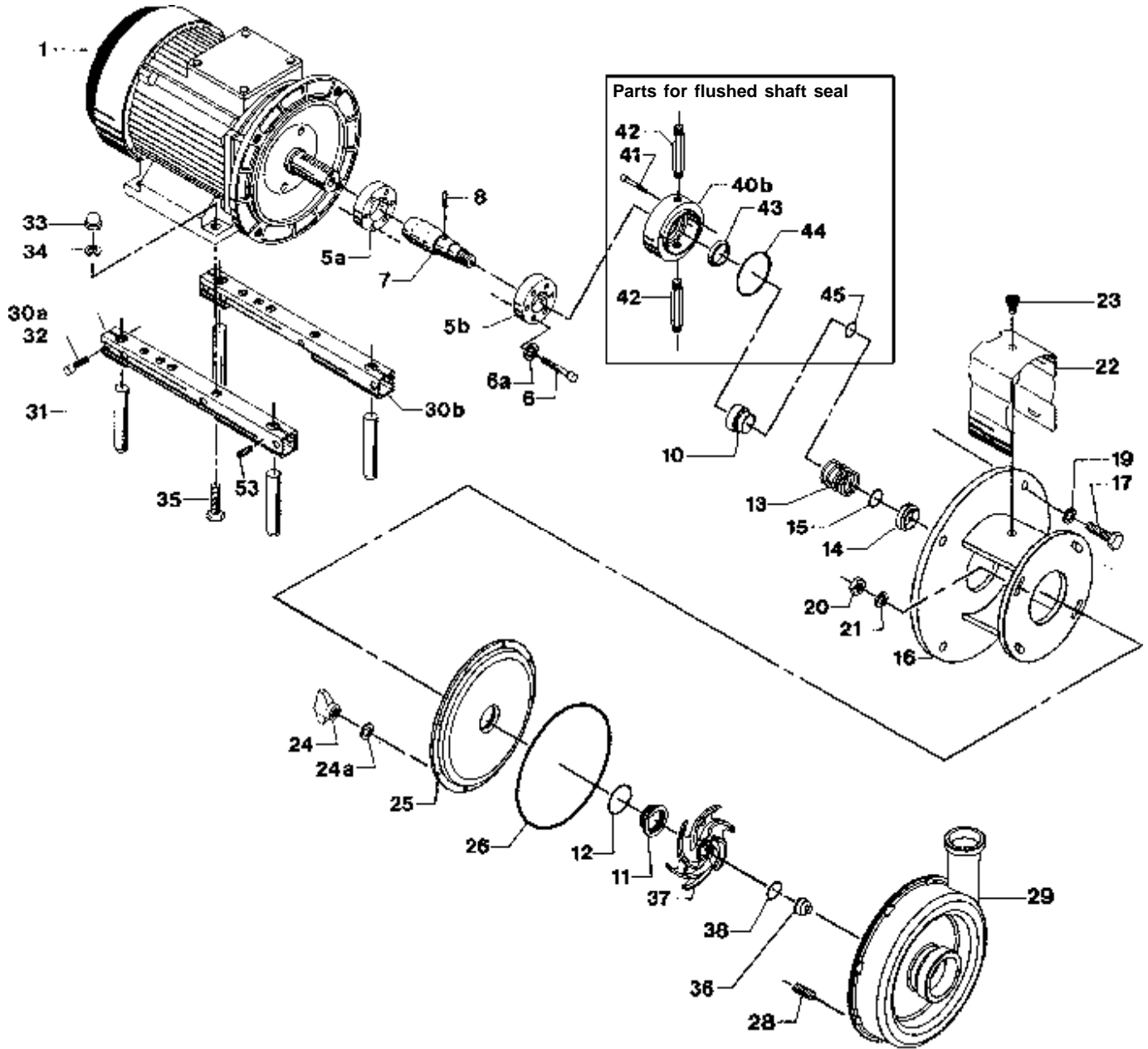
LKH-70 Centrifugal Pump



800.654.5635
www.csidesigns.com



Alfa Laval



Centrifugal Pump LKH-70

Pos.	Qty.	Description	15-20 Hp Part No.	25-30 Hp Part No.	40-75 Hp Part No.	100 Hp Part No.
1	1	Motor				
5a	1	Compression ring with thread	9612-13-3603	9612-13-3603	9612-13-3604	9612-13-3607
5b	1	Compression ring without thread	9612-13-3703	9612-13-3703	9612-13-3704	9612-13-3707
6	6	Screw	9611-99-3198	9611-99-3198	9611-99-3198	9611-99-3198
6a	6	Washer	9611-99-3199	9611-99-3199	9611-99-3199	9611-99-3199
7	1	Stub shaft w/pin (pos. 8)	9612-51-2401	9612-51-2401	9612-51-2501	9612-51-2501
10	1	Drive ring - single & flush	9612-51-4901	9612-51-4901	9612-51-4901	9612-51-4901
11 _a □○	1	Stationary seal ring, SC	9612-51-5201	9612-51-5201	9612-51-5201	9612-51-5201
12 _a □○	1	Stationary O-ring, EPDM (standard)	9611-99-3223	9611-99-3223	9611-99-3223	9611-99-3223
	1	Stationary O-ring, FPM	9611-99-3225	9611-99-3225	9611-99-3225	9611-99-3225
	1	Stationary O-ring, NBR	9611-99-3224	9611-99-3224	9611-99-3224	9611-99-3224
	1	Stationary O-ring, PTFE	9611-99-3226	9611-99-3226	9611-99-3226	9611-99-3226
13 _a □○	1	Spring	9612-51-5401	9612-51-5401	9612-51-5401	9612-51-5401
14 _a □○	1	Rotating seal ring, Carbon	9612-51-5301	9612-51-5301	9612-51-5301	9612-51-5301
	1	Rotating seal ring, SC	9612-51-5302	9612-51-5302	9612-51-5302	9612-51-5302
15 _a □○	1	Rotating O-ring, EPDM (standard)	9611-99-3219	9611-99-3219	9611-99-3219	9611-99-3219
	1	Rotating O-ring, FPM	9611-99-3221	9611-99-3221	9611-99-3221	9611-99-3221
	1	Rotating O-ring, NBR	9611-99-3220	9611-99-3220	9611-99-3220	9611-99-3220
	1	Rotating O-ring, PTFE	9611-99-3222	9611-99-3222	9611-99-3222	9611-99-3222
16	1	Adaptor	9612-51-2001	9612-51-2002	9612-51-1902	9612-51-1902
17	4	Adaptor screw	881-30173	881-30173	221-04-6370	221-04-6307
19	4	Adaptor spring washer	9611-99-1886	9611-99-1886	9611-99-1886	9611-99-1886
20	2	Adaptor nut	9611-99-0353	9611-99-0353	9611-99-0353	9611-99-0353
21	2	Washer	9611-99-2559	9611-99-2559	9611-99-2559	9611-99-2559
22	1	Safety guard	9612-51-4505	9612-51-4505	9612-51-4505	9612-51-4505
23	1	Safety guard screw	9611-99-2544	9611-99-2544	9611-99-2544	9611-99-2544
24	6	Wingnuts	9611-99-2593	9611-99-2593	9611-99-2593	9611-99-2593
24a	6	Spring washer	9611-99-1887	9611-99-1887	9611-99-1887	9611-99-1887
25	1	Back plate polished	883-41215	883-41215	883-41215	883-41215
26□○	1	Joint ring, EPDM (standard)	9611-99-3211	9611-99-3211	9611-99-3211	9611-99-3211
	1	Joint ring, FPM	9611-99-3213	9611-99-3213	9611-99-3213	9611-99-3213
	1	Joint ring, NBR	9611-99-3212	9611-99-3212	9611-99-3212	9611-99-3212
	1	Joint ring, PTFE	9611-99-3124	9611-99-3124	9611-99-3124	9611-99-3124
28	6	Stud bolt	9611-99-3214	9611-99-3214	9611-99-3214	9611-99-3214
29	1	Pump casing	883-39462	883-39462	883-39462	883-39462
30a-35	1	Leg assembly	31460-1302-3	31460-1302-4	31460-1302-5	31460-1302-5
36	1	Impeller screw	9612-50-1103	9612-50-1103	9612-50-1103	9612-50-1103
37	1	Impeller polished, full	883-39458	883-39458	883-39458	883-39458
38□○	1	Impeller O-ring, EPDM (standard)	9611-99-3215	9611-99-3215	9611-99-3215	9611-99-3215
	1	Impeller O-ring, FPM	9611-99-3217	9611-99-3217	9611-99-3217	9611-99-3217
	1	Impeller O-ring, NBR	9611-99-3216	9611-99-3216	9611-99-3216	9611-99-3216
	1	Impeller O-ring, PTFE	9611-99-3218	9611-99-3218	9611-99-3218	9611-99-3218
40	1	Seal housing - flushed	9612-51-4401	9612-51-4401	9612-51-4401	9612-51-4401
41	2	Screw for seal housing	9611-99-3232	9611-99-3232	9611-99-3232	9611-99-3232
42	2	Water flush pipe	9612-35-8903	9612-35-8903	9612-35-8903	9612-35-8903
43 _ø ○	1	Lip seal	9611-99-3263	9611-99-3263	9611-99-3263	9611-99-3263
44 _ø ○	1	Seal housing O-ring	9611-99-2153	9611-99-2153	9611-99-2153	9611-99-2153
45 _ø ○	1	Drive ring O-ring	31460-1056-1	31460-1056-1	31460-1056-1	31460-1056-1

Parts marked with _a, _ø are included in the seal kits.

Parts marked with _a, _ø, □, ○ are included in the service kits.

Recommended Spare Parts: Service kits

Alfa Laval

Pos.	Qty.	Description	15-100 Hp Part No.
Seal Kit for Single Shaft Seal			
à	1	C/SC Seal kit, EPDM	9612-5151-01
à	1	C/SC Seal kit, NBR	9612-5151-02
à	1	C/SC Seal kit, FPM	9612-5151-03
à	1	SC/SC Seal kit, EPDM	9612-5151-05
à	1	SC/SC Seal kit, NBR	9612-5151-06
à	1	SC/SC Seal kit, FPM	9612-5151-07

Seal Kit for Flushed Shaft Seal			
ø	1	C/SC Seal kit, EPDM	9612-5151-01
ø	1	C/SC Seal kit, NBR	9612-5151-02
ø	1	C/SC Seal kit, FPM	9612-5151-03
ø	1	SC/SC Seal kit, EPDM	9612-5151-05
ø	1	SC/SC Seal kit, NBR	9612-5151-06
ø	1	SC/SC Seal kit, FPM	9612-5151-07

Parts marked with à, ø are included in the seal kits.

Service Kit for Single Shaft Seal			
□	1	Service kit, EPDM	9611-92-2238
□	1	Service kit, NBR	9611-92-2239
□	1	Service kit, FPM	9611-92-2240
□	1	Service kit, PTFE	9611-92-2241

Service Kit for Flushed Shaft Seal			
○	1	Service kit, EPDM	9611-92-2242
○	1	Service kit, NBR	9611-92-2243
○	1	Service kit, FPM	9611-92-2244
○	1	Service kit, PTFE	9611-92-2245

Parts marked with à, ø, □, ○ are included in the service kit.

Conversion Kit			
1		Single to flushed shaft seal.....	9611-92-2246
(The conversion kit contains Pos. 10, 40, 41, 42, 43, 44, 45)			

Accessories			
1		Tool complete	9612-1371-01

Recommended Spare Parts: Service kits

Alfa Laval
8201 104th Street
Pleasant Prairie, WI 53158-0909
Telephone: 800-558-2060
Fax: 262-947-4724
www.us.flow.alfalaval.com



800.654.5635
www.csidesigns.com