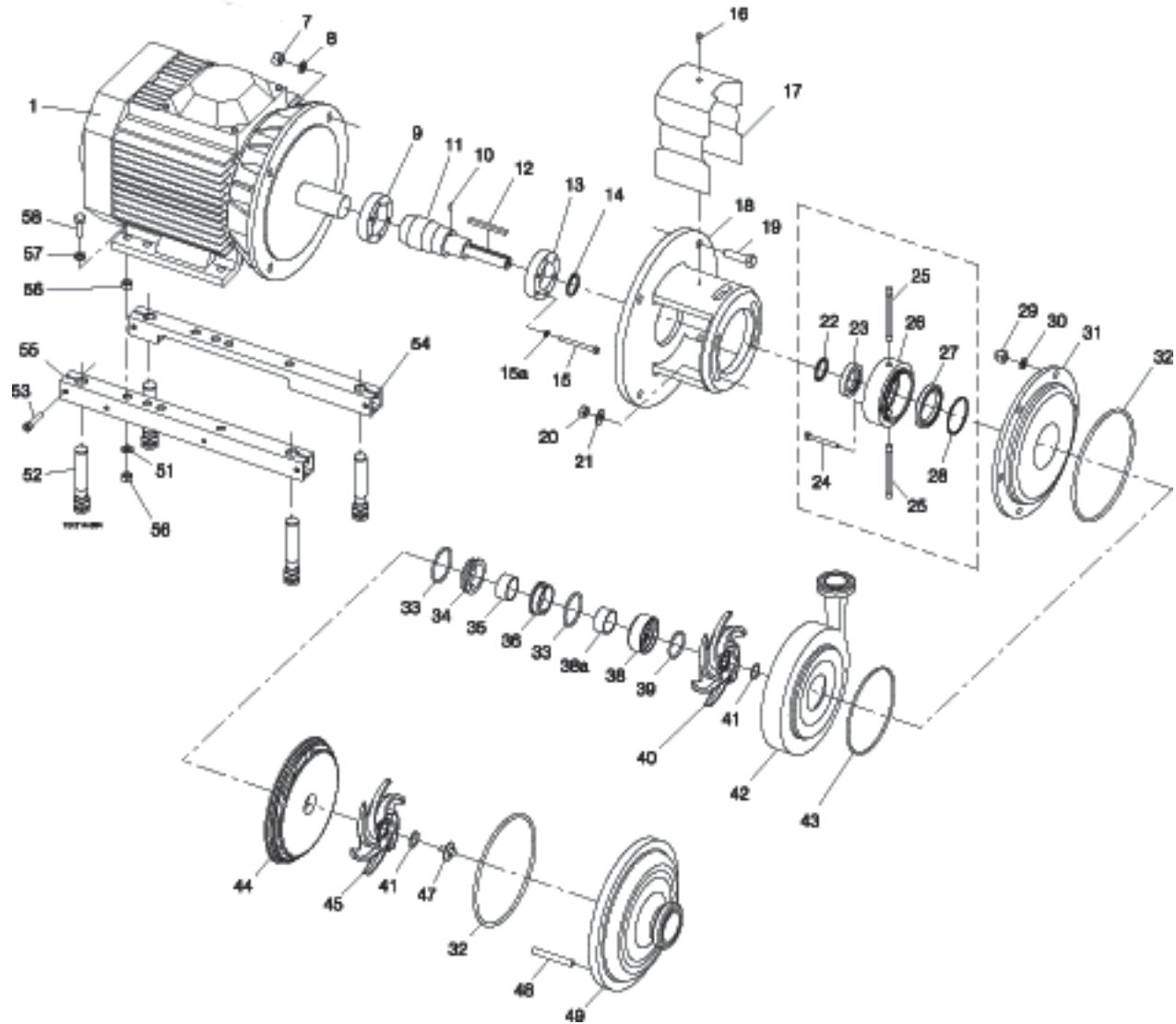




1.2 LKH-112, Single and Flushed Shaft Seal

1. Parts List / Exploded Drawing



Pos.	Qty.	Denomination	7.5-10 HP Part No.	15-25 HP Part No.
1	1	Motor		
4	4	Screw	9611-99-3240	9611-99-3241
7	4	Nut for adaptor	9611-99-0587	9611-99-2160
8	4	Washer for adaptor	9611-99-0676	9611-99-1886
9	1	Compression ring with thread	9612-1336-05	9612-1336-03
10	1	Connex pin	9611-99-0622	9611-99-0622
11	1	Shaft with pin (pos. 10) for flushed shaft seal	9612-3620-01	9612-3621-01
	1	Shaft with retaining ring (pos.14)		
	1	Shaft with pin (pos.10)	9612-3620-04	9612-3621-04
	1	Shaft with retaining ring (14) and pin (10)		
12	1	Key	9611-99-2756	
13	1	Compression ring without thread	9612-1337-06	9612-1337-06
14	1	Retaining ring		
15	6	Screw	9611-99-3197	9611-99-3197
15a	6	Washer	9611-99-3199	9611-99-3199
16	1	Screw for adaptor guard	9611-99-3239	9611-99-3239
17	1	Adaptor guard	9612-1311-07	9612-1311-08
18	1	Adaptor	9612-3425-01	9612-3426-01
19	4	Screw for adaptor	9611-99-2162	9611-99-2163
20	2	Nut	9611-99-0353	9611-99-0353
21	2	Washer	9611-99-2559	9611-99-2559
29	6	Cap nut	9611-99-2593	9611-99-2593
30	6	Washer	9611-99-1887	9611-99-1887
31	1	Back plate	9612-3892-14	9612-3892-14
32Δ	2	O-ring, EPDM (standard)	9611-99-2744	9611-99-2744
	2	O-ring, NBR	9611-99-2745	9611-99-2745
	2	O-ring, FPM	9611-99-2746	9611-99-2746
35	1	Spacing ring	9612-3625-01	9612-3625-01
38	1	Rotating seal housing	9612-3624-01	9612-3624-01
40	1	Impeller	883-41471	883-41471
41Δ○	2	O-ring, EPDM (standard)	9611-99-2750	9611-99-2750
	2	O-ring, NBR	9611-99-2751	9611-99-2751
	2	O-ring, FPM	9611-99-2752	9611-99-2752
42	1	Pump casing, Tri-Clamp	9612-3889-04	9612-3889-04
43Δ○	1	O-ring, EPDM (standard)	9611-99-2747	9611-99-2747
	1	O-ring, NBR	9611-99-2748	9611-99-2748
	1	O-ring, FPM	9611-99-2749	9611-99-2749
44	1	Guide vanes, Interplate	9612-3613-01	9612-3613-01
45	1	Impeller	9612-3605-01	9612-3605-01
47	1	Impeller screw	9612-3627-01	9612-3627-01
48	6	Bolt	9612-3635-01	9612-3635-01
49	1	Pump cover, Tri-Clamp	9612-3893-04	9612-3893-04
50-58	1	Leg Assembly	31460-13014	31460-13023

Service kit for single shaft seal

- Δ Service kit, EPDM. 9611-92-2096
- Δ Service kit, NBR. 9611-92-2097
- Δ Service kit, FPM. 9611-92-2098

Service kit for flushed shaft seal

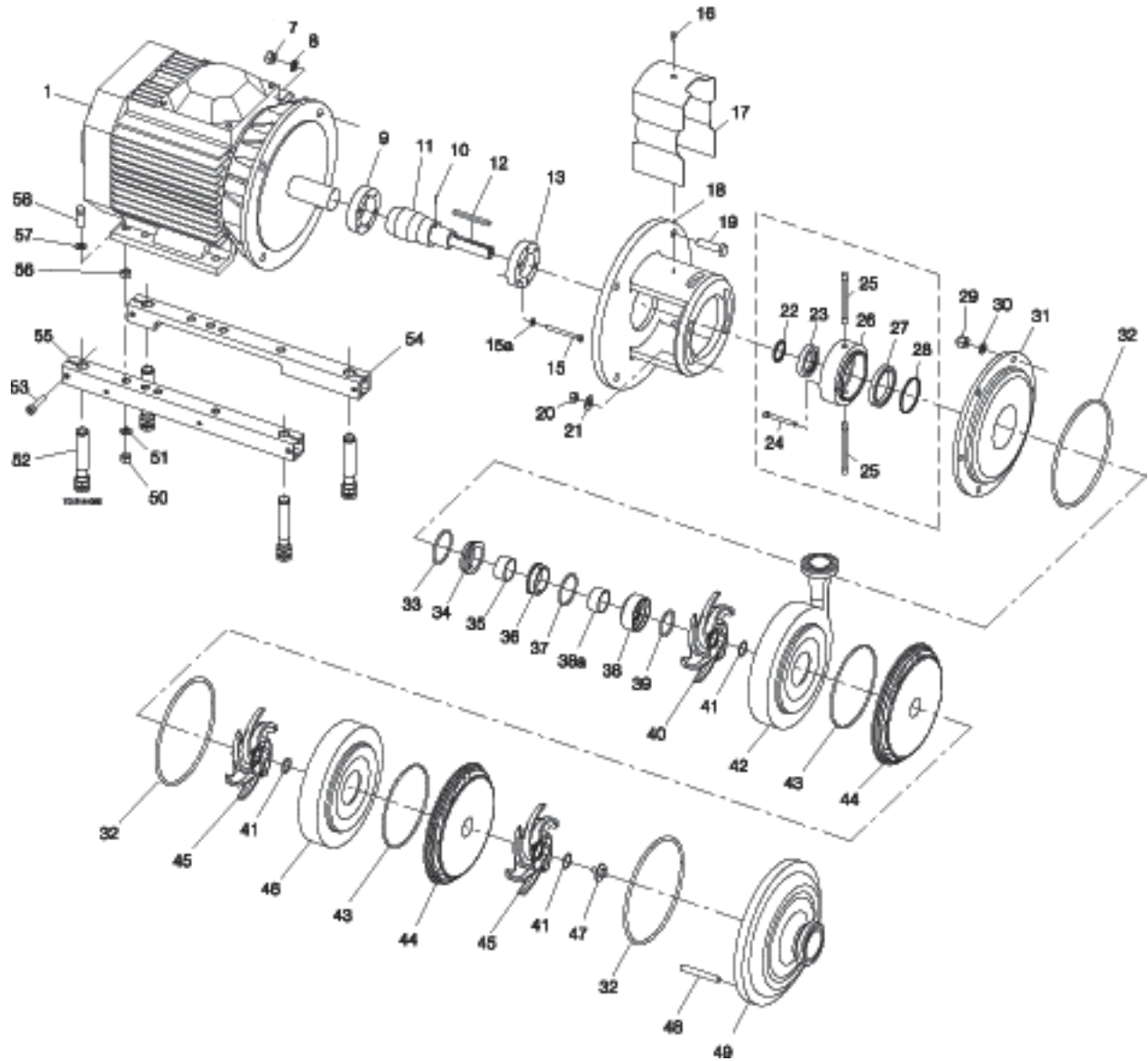
- Service kit, EPDM. 9611-92-2099
- Service kit, NBR. 9611-92-2100
- Service kit, FPM. 9611-92-2101

Parts marked with Δ ○ are included in the service kits.

Conversion kit

- 1 single to flushed shaft seal .. 9611-92-2138
(The conversion kit contains Pos. 22+23+24+25+26+27+28)

Recommended Spare Parts: Service kits.	Single Shaft Seal Service Kit Sic/Sic	Flushed Shaft Seal Service Kit Sic/Sic
	EPDM 9611-92-2655	EPDM 9611-92-3658
	NBR 9611-92-2656	NBR 9611-92-2659
	FPM 9611-92-2657	FPM 9611-92-2660



Pos.	Qty.	Denomination	7.5-10 HP Part No.	15-25 HP Part No.
1	1	Motor		
4	4	Screw	9611-99-3240	9611-99-3241
7	4	Nut for adaptor	9611-99-0587	9611-99-2160
8	4	Washer for adaptor	9611-99-0676	9611-99-1886
9	1	Compression ring with thread	9612-1336-05	9612-1336-03
10	1	Connex pin	9611-99-0622	9611-99-0622
11	1	Shaft with pin (pos. 10) for flushed shaft seal	9612-3620-02	9612-3621-02
	1	Shaft with pin (pos.10)	9612-3620-05	9612-3621-05
12	1	Key	9611-99-2757	9611-99-2757
13	1	Compression ring without thread	9612-1337-06	9612-1337-03
15	6	Screw	9611-99-3197	9611-99-3198
15a	6	Washer	9611-99-3199	9611-99-3199
16	1	Screw for adaptor guard	9611-99-3239	9611-99-3239
17	1	Adaptor guard	9612-1311-07	9612-1311-08
18	1	Adaptor	9612-3425-01	9612-3426-01
19	4	Screw for adaptor	9611-99-2162	9611-99-2163
20	2	Nut	9611-99-0353	9611-99-0353
21	2	Washer	9611-99-2559	9611-99-2559
29	6	Cap nut	9611-99-2593	9611-99-2593
30	6	Washer	9611-99-1887	9611-99-1887
31	1	Back plate	9612-3892-14	9612-3892-14
32△○	3	O-ring, EPDM (standard)	9611-99-2744	9611-99-2744
	3	O-ring, NBR	9611-99-2745	9611-99-2745
	3	O-ring, FPM	9611-99-2746	9611-99-2746
35	1	Spacing ring	9612-3625-01	9612-3625-01
38	1	Rotating seal housing	9612-3624-01	9612-3624-01
40	1	Impeller	883-41471	883-41471
41△○	3	O-ring, EPDM (standard)	9611-99-2750	9611-99-2750
	3	O-ring, NBR	9611-99-2751	9611-99-2751
	3	O-ring, FPM	9611-99-2752	9611-99-2752
42	1	Pump casing, Tri-Clamp	9612-3889-04	9612-3889-04
43△○	2	O-ring, EPDM (standard)	9611-99-2747	9611-99-2747
	2	O-ring, NBR	9611-99-2748	9611-99-2748
	2	O-ring, FPM	9611-99-2749	9611-99-2749
44	2	Guide vanes, Interplate	9612-3613-01	9612-3613-01
45	2	Impeller	9612-3605-01	9612-3605-01
46	1	Intermediate casing	9612-3610-01	9612-3610-01
47	1	Impeller screw	9612-3627-01	9612-3627-01
48	6	Bolt	9612-3635-02	9612-3635-02
49	1	Pump cover, Tri-Clamp	9612-3893-04	9612-3893-04
50-58	1	Leg assembly	31460-13014	31460-13023

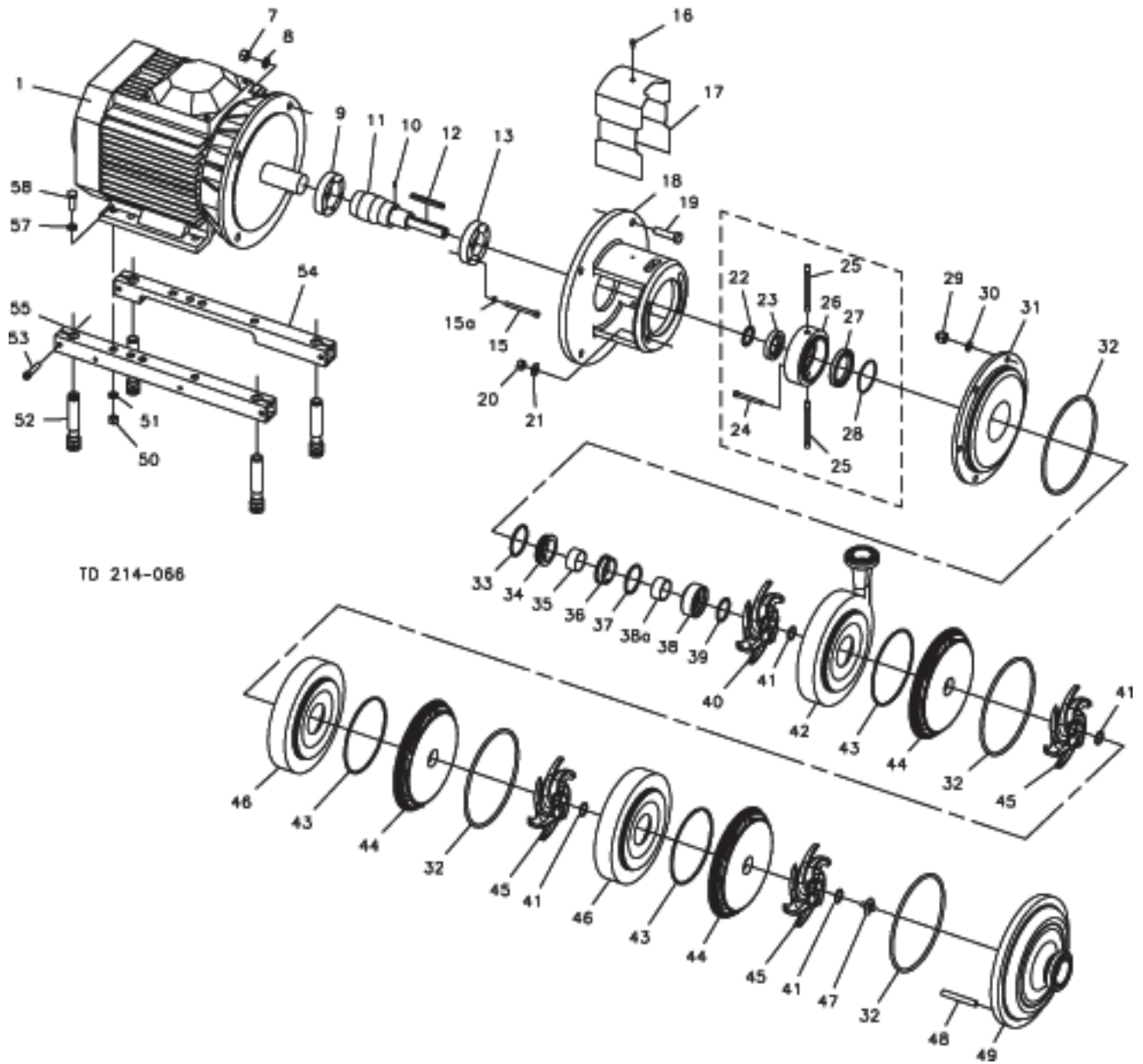
Service kit for single shaft seal		Service Kit Sic/Sic	
△	Service kit, EPDM.	9611-92-2102	9611-92-2661
△	Service kit, NBR.	9611-92-2103	9611-92-2662
△	Service kit, FPM.	9611-92-2104	9611-92-2663

Service kit for flushed shaft seal			
○	Service kit, EPDM.	9611-92-2105	9611-92-2664
○	Service kit, NBR.	9611-92-2106	9611-92-2665
○	Service kit, FPM.	9611-92-2107	9611-92-2666

Parts marked with △/○ are included in the service kits.

Conversion kit s
Single to flushed shaft seal 9611-92-2138
 (The conversion kit contains pos. 22+23+24+25+26+27+28)

Recommended Spare Parts: Service kits.



Central States Industrial
 2700 Partnership Boulevard
 Springfield, MO 65803
 800.654.5635
<http://www.csidesigns.com>

Pos.	Qty.	Denomination	7.5-10 HP Part No.	15-25 HP Part No.
1	1	Motor		
4	4	Screw	9611-99-3240	9611-99-3241
7	4	Nut for adaptor	9611-99-0587	9611-99-2160
8	4	Washer for adaptor	9611-99-0676	9611-99-1886
9	1	Compression ring with thread	9612-1336-05	9612-1336-03
10	1	Connex pin for flushed shaft seal	9611-99-0622	9611-99-0622
11	1	Shaft for single shaft seal (pos. 10) for flushed shaft seal	9612-3620-03	9612-3621-03
	1	Shaft with pin (pos.10) for flushed shaft seal	9612-3620-06	9612-3621-06
12	1	Key	9611-99-2758	9611-99-2758
13	1	Compression ring without thread	9612-1337-06	9612-1337-03
15	6	Screw	9611-99-3197	9611-99-3198
15a	6	Washer	9611-99-3199	9611-99-3199
16	1	Screw for adaptor guard	9611-99-3239	9611-99-3239
17	1	Adaptor guard	9612-1311-07	9612-1311-08
18	1	Adaptor	9612-3425-01	9612-3426-01
19	4	Screw for adaptor	9611-99-2162	9611-99-2163
20	2	Nut	9611-99-0353	9611-99-0353
21	2	Washer	9611-99-2559	9611-99-2559
29	6	Cap nut	9611-99-2593	9611-99-2593
30	6	Washer	9611-99-1887	9611-99-1887
31	1	Back plate	9612-3892-08	9612-3892-08
32△○	4	O-ring, EPDM (standard)	9611-99-2744	9611-99-2744
	4	O-ring, NBR	9611-99-2745	9611-99-2745
	4	O-ring, FPM	9611-99-2746	9611-99-2746
35	1	Spacing ring	9612-3625-01	9612-3625-01
38	1	Rotating seal housing	9612-3624-01	9612-3624-01
40	1	Impeller	883-41471	883-41471
41△○	4	O-ring, EPDM (standard)	9611-99-2750	9611-99-2750
	4	O-ring, NBR	9611-99-2751	9611-99-2751
	4	O-ring, FPM	9611-99-2752	9611-99-2752
42	1	Pump casing, Tri-Clamp	9612-3889-04	9612-3889-04
43△○	3	O-ring, EPDM (standard)	9611-99-2747	9611-99-2747
	3	O-ring, NBR	9611-99-2748	9611-99-2748
	3	O-ring, FPM	9611-99-2749	9611-99-2749
44	3	Guide vanes, Interplate	9612-3613-01	9612-3613-01
45	3	Impeller	9612-3605-01	9612-3605-01
46	2	Intermediate casing	9612-3610-01	9612-3610-01
47	1	Impeller screw	9612-3627-01	9612-3627-01
48	6	Bolt	9612-3635-03	9612-3635-03
49	1	Pump cover, Tri-Clamp	9612-3893-04	9612-3893-04
50-58	1	Leg Assembly	31460-13014	31460-13023

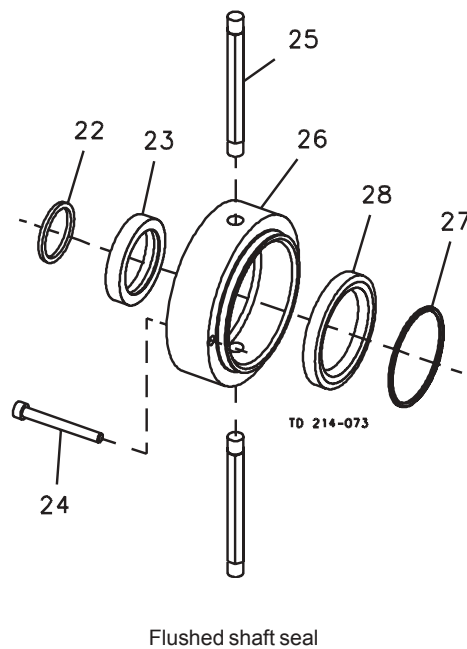
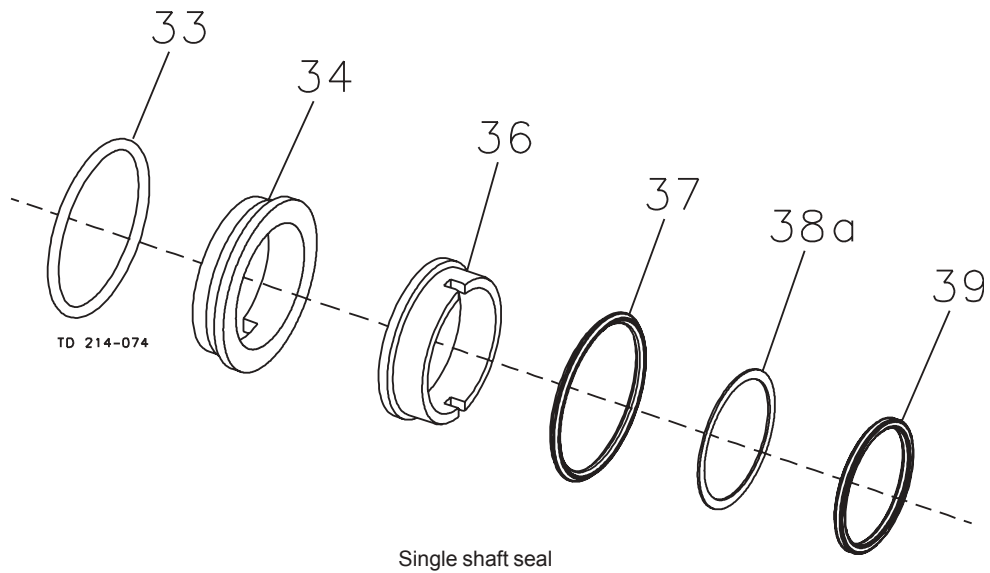
Recommended Spare Parts: **Service kits.**

Service kit for single shaft seal	Sic/Sic	Service kit for flushed shaft seal	Sic/Sic
△ Service kit, EPDM. 9611-92-2108	9611-92-2667	○ Service kit, EPDM. 9611-92-2111	9611-92-2670
△ Service kit, NBR. 9611-92-2109	9611-92-2668	○ Service kit, NBR. 9611-92-2112	9611-92-2671
△ Service kit, FPM. 9611-92-2110	9611-92-2669	○ Service kit, FPM. 9611-92-2113	9611-92-2672

Parts marked with △/○ are incl. in the service kits.

Conversion kit

1 single to flushed shaft seal 9611-92-2138
 (The conversion kit contains Pos. 22+23+24+25+26+27+28)



Central States Industrial
2700 Partnership Boulevard
Springfield, MO 65803
800.654.5635
<http://www.csidesigns.com>

Pos.	Qty.	Denomination	7.5-20 HP	Pos.	Qty.	Denomination	7.5-20 HP
Parts for flushed shaft seal				Alternatives			
22	1	O-ring, EPDM	9611-99-2754	Shaft seal complete EPDM (standard) 9612-3622-04			
23	1	Sleeve	9612-3629-01	33	1	O-ring, EPDM	9611-99-2727
24	2	Screw	9611-99-0203	34	1	Stationary seal ring, Sic.	9612-3633-01
25	2	Tube	9612-3589-01	36	1	Rotating seal ring, Sic.	9612-3634-02
26	1	Seal housing for flushed seal	9612-3626-01	37	1	Quad ring, EPDM	9611-99-2730
27	1	O-ring, EPDM	9611-99-2753	38a	1	Support ring, PTFE	9612-4571-01
28	1	Lip seal	9611-99-2860	39	1	Quad ring, EPDM	9611-99-2733
ΔO Shaft seal complete EPDM (standard) 9612-3622-01				Shaft seal complete NBR 9612-3622-05			
33	1	O-ring, EPDM	9611-99-2727	33	1	O-ring, NBR	9611-99-2728
34	1	Stationary seal ring, Sic.	9612-3633-01	34	1	Stationary seal ring, Sic.	9612-3633-01
36	1	Rotating seal ring, Carbon	9612-3634-01	36	1	Rotating seal ring, Sic.	9612-3634-02
37	1	Quad ring, EPDM	9611-99-2730	37	1	Quad ring, NBR	9611-99-2731
38a	1	Support ring, PTFE	9612-4571-01	38a	1	Support ring, PTFE	9612-4571-01
39	1	Quad ring, EPDM	9611-99-2733	39	1	Quad ring, NBR	9611-99-2734
ΔO Shaft seal complete NBR 9612-3622-02				Shaft seal complete FPM 9612-3622-06			
33	1	O-ring, NBR	9611-99-2728	33	1	O-ring, FPM	9611-99-2729
34	1	Stationary seal ring, Sic.	9612-3633-01	34	1	Stationary seal ring, Sic.	9612-3633-01
36	1	Rotating seal ring, Carbon	9612-3634-01	36	1	Rotating seal ring, Sic.	9612-3634-02
37	1	Quad ring, NBR	9611-99-2731	37	1	Quad ring, FPM	9611-99-2732
38a	1	Support ring, PTFE	9612-4571-01	38a	1	Support ring, PTFE	9612-4571-01
39	1	Quad ring, NBR	9611-99-2734	39	1	Quad ring, FPM	9611-99-2735
ΔO Shaft seal complete FPM 9612-3622-03							
33	1	O-ring, FPM	9611-99-2729				
34	1	Stationary seal ring, Sic.	9612-3633-01				
36	1	Rotating seal ring, Carbon	9612-3634-01				
37	1	Quad ring, FPM	9611-99-2732				
38a	1	Support ring, PTFE	9612-4571-01				
39	1	Quad ring, FPM	9611-99-2735				

900200/0



800.654.5635
www.csidesigns.com