



800.654.5635 • www.csidesigns.com

Sanitary, Low-Flow Cleaning

Toftejorg SaniMidget Rotary Spray Head

PD 66395 GB1 2003-08

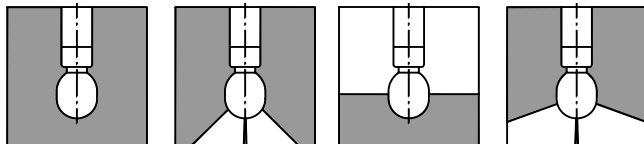
Application

The Toftejorg SaniMidget is an efficient replacement for traditional static spray balls as it uses low volumes of liquid at low pressure. The device, particularly well-suited to sanitary applications, can be used in tanks ranging from 0.1 to 10 m³ (27 to 2,700 US gallons). Application and optimal positioning assistance is available in CAD format.

Working Principle

The flow of the cleaning media causes the head of the Toftejorg SaniMidget to rotate, with fan jets laying out a swirling pattern throughout the vessel. This generates a vibrating impact and cascading flow that covers all internal surfaces of the tank or reactor. The device's self-cleaning feature is achieved by directing the cleaning media through the rotating bearing track and onto the neck of the elongated head.

Spray Pattern



360°

270° up

180° down

Low flow 220° up

Standard Design

As standard documentation, the Toftejorg SaniMidget can be supplied with a "Declaration of Conformity" for material specifications or 3.1.B certification for metallic parts. The device is available in hastelloy C22 (balls in hastelloy C276/PFTE) with 3.1.B certification for metallic parts.

Materials

Inlet connections: 1.4404 (316L)
Bearing race parts: SAF 2205 (UNS31803)
Balls: 1.4401 (316)/PTFE*
Head: 1.4404 (316L)
(*FDA approved 21 CFR § 177.1550)

Technical Data

Weight: Thread and clip-on: 0.30 kg (0.66 lbs)
On pipe: 0.55/0.90 kg (1.21/1.98 lbs)
Lubricant: Self-lubricating with the cleaning fluid
Working pressure: 1 - 3 bar (14.5 - 44 psi)



Recommended pressure: 2 bar (29 psi)
Max. working temperature: 95 °C (203 °F)
Max. ambient temperature: 140 °C (284 °F)
Wetting radius: Max. 3 m (10 ft)
Impact cleaning radius: Max. effective 1.4 m (4 ft)
Connections: 1/2" or 3/4" BSP or NPT thread
Clip-on or weld-on for pipe: ISO2037, ASTM A270, BS4825 part 1 or DIN 11.850

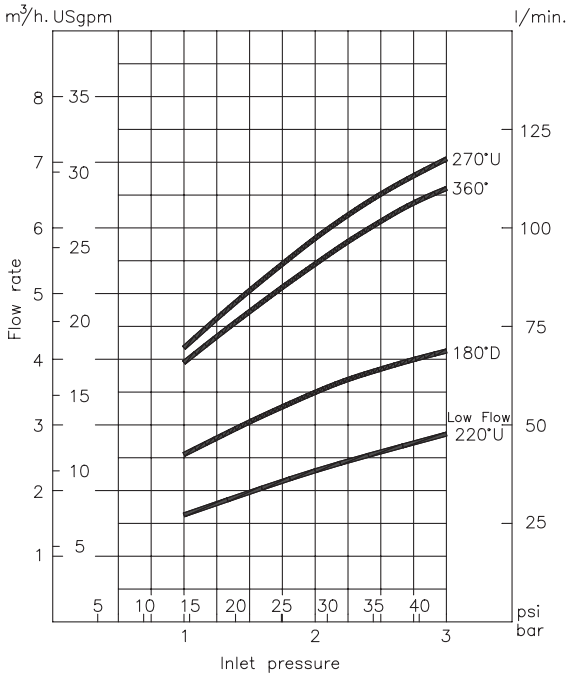
Ordering

Please specify desired spray pattern, required connections, material selection and type of certification required. Please also confirm the application suitability.

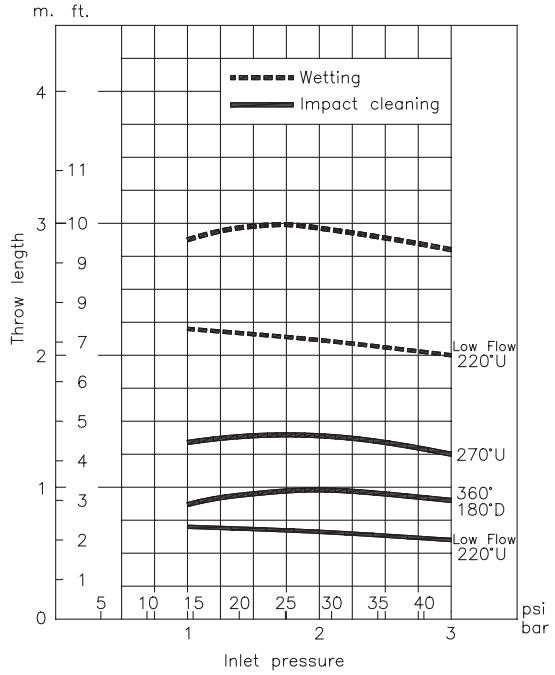
Options

- Downpipes with Tri-Clamp and flange connections
- Electropolishing

Flow Rate

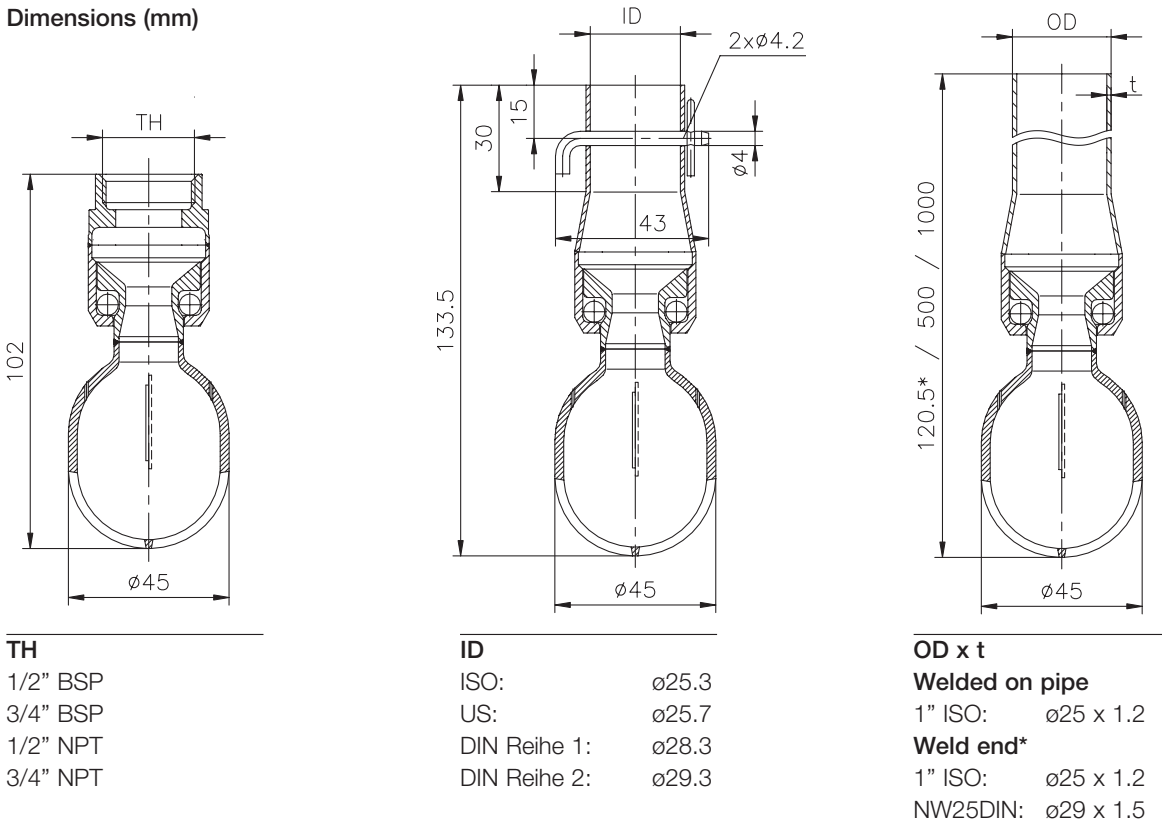


Cleaning Radius



For clip-on models, the flow rate is increased by approx 0.5 m³/h.

Dimensions (mm)



PD 66395 GB1 2003-08

The information contained herein is correct at the time of issue, but may be subject to change without prior notice.

How to contact Alfa Laval

Contact details for all countries are continually updated on our website. Please visit www.alfalaval.com or www.toftejorg.com to access the information direct.



800.654.5635
www.csidesigns.com