

800.654.5635 • www.csidesigns.com

# The Classic Dairy Valve

D10 and D11 Plug Valves

PD 66380 US 2002-09

### Application

The bonded rubber or stainless steel plug valves are used in food and chemical industries and in other installations where a sanitary closing device with minimum pressure drop is required. D10 and D11 plug valves are designed for quick and easy operation. The D10 is a two-way valve, and the D11 is a three-way valve.

### Standard Design

The plug valves are made of stainless steel AISI 304. They are produced with a strong, rigid body made from drop forged homogeneous material, and the plug is rubber coated. An optional chrome plated and lapped metal plug is available. The plug valves may be supplied with weld connections, clamps or threaded connections.

### Materials

Steel parts .....AISI 304 and AISI 316  
Finish .....≤ 32 RA  
Rubber parts .....Buna (N)

### Technical Data

Maximum working pressure (68° F) .....25 PSI  
Maximum test pressure (68° F) .....25 PSI  
Maximum temperature .....100° F  
Minimum temperature .....-4° F

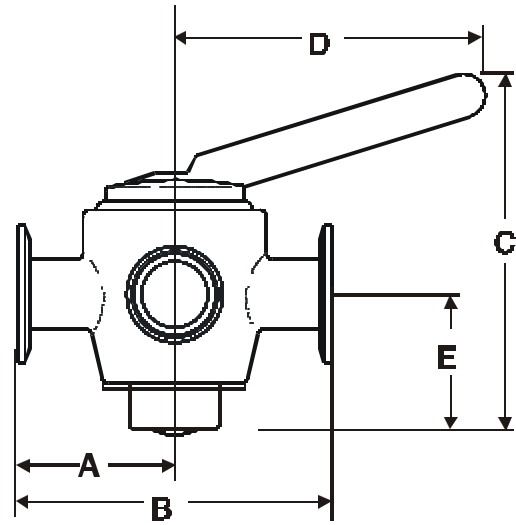
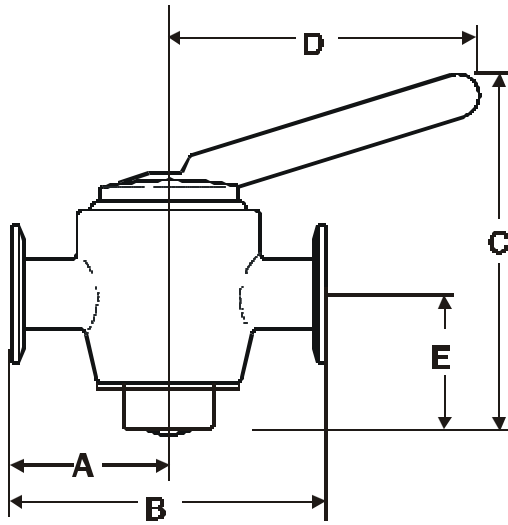


Fig. 1. D10 and D11 Plug Valves

### Ordering

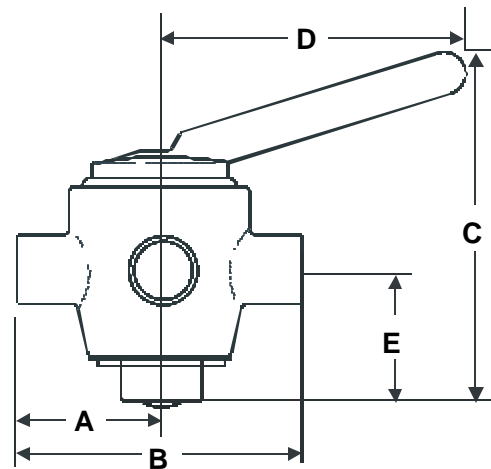
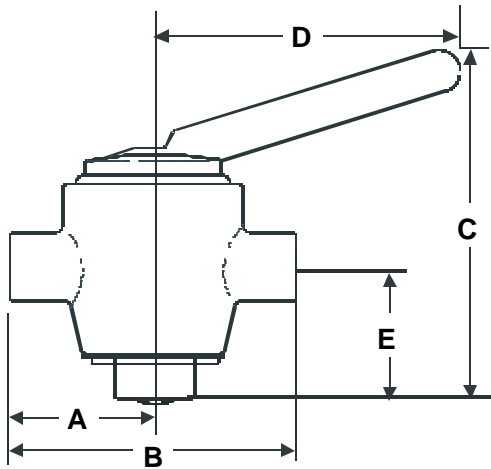
Please specify the following when ordering:

- **Connections**  
Tri-Clamp®, Bevel Seat, weld
- **Type**  
Straight-through valve D10, three-way valve D11, or tank outlet valve D10F
- **Plug**  
Bonded rubber (Buna) or stainless steel
- **Size**  
Following sizes are available:  
1-inch, 1.5-inch, 2-inch, 2.5-inch, 3-inch



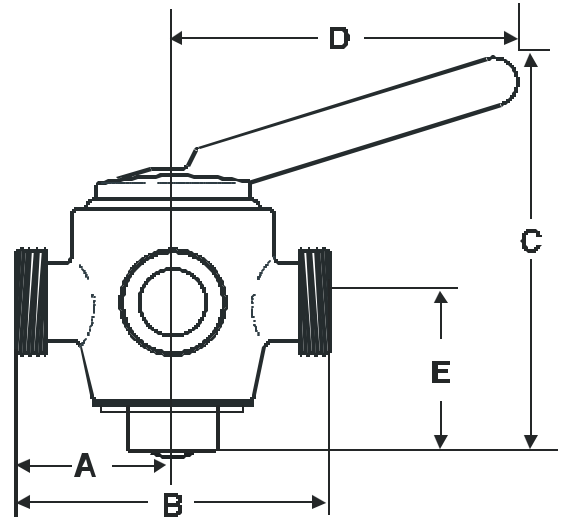
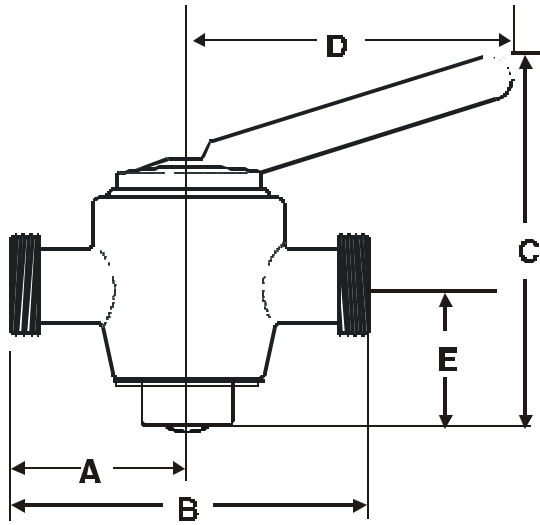
**Dimensions Tri-Clamp® connections**

Size (Tube OD)		A		B		C		D		E		Approx. Wt.	
in	mm	in	mm	in	mm	in	mm	in	mm	in	mm	lb	kg
1½	38.1	2 <sup>29</sup> / <sub>32</sub>	73.8	5 <sup>13</sup> / <sub>16</sub>	147.6	7	177.8	5 <sup>5</sup> / <sub>8</sub>	142.9	2½	63.5	9.50	4.30
2	50.8	3 <sup>13</sup> / <sub>32</sub>	86.5	6 <sup>13</sup> / <sub>16</sub>	173.0	7 <sup>5</sup> / <sub>8</sub>	193.7	5 <sup>5</sup> / <sub>8</sub>	142.9	2 <sup>7</sup> / <sub>8</sub>	73.0	15.50	7.03
2½	63.5	4 <sup>1</sup> / <sub>8</sub>	104.8	8¼	209.6	8 <sup>3</sup> / <sub>4</sub>	222.3	6¼	158.8	3½	88.9	25.50	11.56
3	76.2	4 <sup>23</sup> / <sub>32</sub>	119.9	9 <sup>7</sup> / <sub>16</sub>	239.7	9 <sup>3</sup> / <sub>4</sub>	247.7	7¼	184.2	3 <sup>3</sup> / <sub>4</sub>	95.3	36.00	16.32



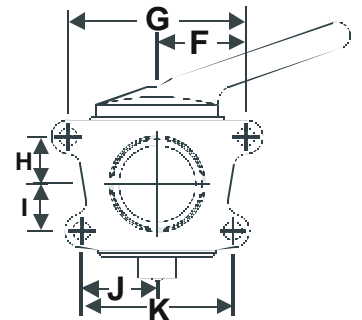
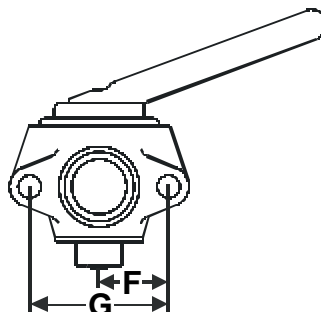
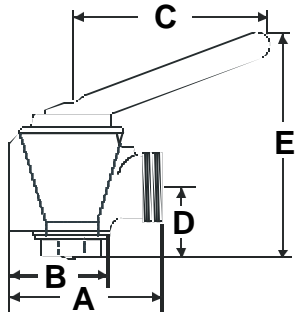
**Dimensions Weld connections**

Size (Tube OD)		A		B		C		D		E		Approx. Wt.	
in	mm	in	mm	in	mm	in	mm	in	mm	in	mm	lb	kg
1½	38.1	2 <sup>23</sup> / <sub>32</sub>	69.1	5 <sup>7</sup> / <sub>16</sub>	138.1	6 <sup>7</sup> / <sub>8</sub>	177.8	5 <sup>5</sup> / <sub>8</sub>	142.9	2½	63.5	9.50	4.30
2	50.8	3 <sup>3</sup> / <sub>16</sub>	81.0	6 <sup>3</sup> / <sub>8</sub>	161.9	7 <sup>5</sup> / <sub>8</sub>	193.7	5 <sup>5</sup> / <sub>8</sub>	142.9	2 <sup>7</sup> / <sub>8</sub>	73.0	15.50	7.03
2½	63.5	4 <sup>7</sup> / <sub>8</sub>	123.8	7 <sup>3</sup> / <sub>4</sub>	196.9	8 <sup>5</sup> / <sub>8</sub>	222.3	6¼	158.8	3½	88.9	25.50	11.56
3	76.2	4 <sup>15</sup> / <sub>32</sub>	113.5	8 <sup>15</sup> / <sub>16</sub>	227.0	9 <sup>3</sup> / <sub>4</sub>	247.7	7¼	184.2	3 <sup>3</sup> / <sub>4</sub>	95.3	36.00	16.32



**Dimensions Bevel Seat connections**

Size (Tube OD)		A		B		C		D		E		Approx. Wt.	
in	mm	in	mm	in	mm	in	mm	in	mm	in	mm	lb	kg
1½	38.1	2 <sup>29</sup> / <sub>32</sub>	73.8	5 <sup>13</sup> / <sub>16</sub>	147.6	6 <sup>7</sup> / <sub>8</sub>	174.6	5 <sup>5</sup> / <sub>8</sub>	142.9	2½	63.5	9.50	4.31
2	50.8	3 <sup>13</sup> / <sub>32</sub>	86.5	6 <sup>13</sup> / <sub>16</sub>	173.0	7 <sup>5</sup> / <sub>8</sub>	193.7	5 <sup>5</sup> / <sub>8</sub>	142.9	2 <sup>7</sup> / <sub>8</sub>	73.0	15.50	7.03
2½	63.5	4 <sup>1</sup> / <sub>8</sub>	104.8	8 <sup>1</sup> / <sub>4</sub>	209.6	8 <sup>5</sup> / <sub>8</sub>	219.1	6 <sup>1</sup> / <sub>4</sub>	158.8	3½	88.9	25.50	11.56
3	76.2	4 <sup>23</sup> / <sub>32</sub>	119.9	9 <sup>7</sup> / <sub>16</sub>	239.7	9 <sup>3</sup> / <sub>4</sub>	247.3	7 <sup>1</sup> / <sub>4</sub>	184.2	3 <sup>3</sup> / <sub>4</sub>	93.7	36.00	16.33



**Dimensions (inches) Plug Valve Tank**

Size (Tube OD)	A	B	C	D	E	F	G	H	I	J	K	Hole Size	Approx. Wt.	
1½	4 <sup>5</sup> / <sub>16</sub>	3 <sup>1</sup> / <sub>8</sub>	5 <sup>5</sup> / <sub>8</sub>	2 <sup>3</sup> / <sub>8</sub>	6 <sup>3</sup> / <sub>4</sub>	1 <sup>23</sup> / <sub>32</sub>	3 <sup>7</sup> / <sub>16</sub>	--	--	--	--	9/16	9.50	4.30
2	5 <sup>7</sup> / <sub>16</sub>	4 <sup>1</sup> / <sub>8</sub>	5 <sup>5</sup> / <sub>8</sub>	2 <sup>3</sup> / <sub>4</sub>	7 <sup>1</sup> / <sub>2</sub>	2 <sup>1</sup> / <sub>8</sub>	4 <sup>1</sup> / <sub>4</sub>	--	--	--	--	9/16	15.50	7.03
2½	6 <sup>3</sup> / <sub>4</sub>	4 <sup>5</sup> / <sub>8</sub>	6 <sup>1</sup> / <sub>4</sub>	3 <sup>1</sup> / <sub>2</sub>	8 <sup>3</sup> / <sub>4</sub>	2 <sup>5</sup> / <sub>8</sub>	5 <sup>1</sup> / <sub>4</sub>	1 <sup>5</sup> / <sub>16</sub>	1½	2½	5	9/16	25.50	11.56
3	8	4 <sup>3</sup> / <sub>4</sub>	7 <sup>1</sup> / <sub>4</sub>	3 <sup>3</sup> / <sub>4</sub>	9 <sup>3</sup> / <sub>4</sub>	3 <sup>5</sup> / <sub>16</sub>	6 <sup>5</sup> / <sub>8</sub>	1¾	1¾	2 <sup>13</sup> / <sub>16</sub>	5 <sup>5</sup> / <sub>8</sub>	1 <sup>1</sup> / <sub>16</sub>	36.00	16.32

**Dimensions (mm) Plug Valve Tank**

Size (Tube OD)	A	B	C	D	E	F	G	H	I	J	K	Hole Size	Approx. Wt.	
1½	109.5	79.4	142.9	60.3	171.5	43.7	87.3	--	--	--	--	14.3	9.50	4.30
2	138.1	104.8	142.9	69.9	190.5	54.0	108.0	--	--	--	--	14.3	15.50	7.03
2½	171.5	117.5	158.8	88.1	222.3	66.7	133.4	33.3	38.1	63.5	127.0	14.3	25.50	11.56
3	203.2	120.7	184.2	95.3	247.7	84.1	168.3	44.5	44.5	71.4	142.9	17.5	36.00	16.32

PD 66380 US 2002-09

The information contained herein is correct at the time of issue, but may be subject to change without prior notice.

---

How to contact Alfa Laval  
Contact details for all countries  
are continually updated on our website.  
Please visit [www.alfalaval.com](http://www.alfalaval.com) to  
access the information direct.



---

**800.654.5635**  
**[www.csidesigns.com](http://www.csidesigns.com)**