



800.654.5635 • www.csdesigns.com

Low Flow Saves on Water and Chemicals

Toftejorg Midget MiniFlow Rotary Spray Head

PD 66397 GB1 2003-08

Application

The Toftejorg Midget MiniFlow is a special version of the Toftejorg SaniMidget rotary spray head that provides low-flow, compact design ideal for insertion in small openings. With its rotating fan cleaning action, the spray head uses very low volumes of cleaning media at low pressure. The Toftejorg Midget MiniFlow is an effective replacement for traditional static spray balls and is suitable for all industrial cleaning applications. It can be used in tanks ranging from 0.1 to 10 m³ (27 to 2,700 US gallons). Application and optimal positioning assistance is available in CAD format.

Working Principle

The flow of the cleaning media causes the head of the Toftejorg Midget MiniFlow to rotate, with fan jets laying out a swirling pattern throughout the vessel. This generates the impact needed to efficiently remove residual product, while the cascading flow covers all internal surfaces of the tank or reactor.

Standard Design

As standard documentation, the Toftejorg Midget MiniFlow can be supplied with a "Declaration of Conformity" for material specifications.

Materials

Housing: SAF 2205 (UNS31803)
Balls: 1.4401 (316)

Technical Data

Weight: Thread and clip-on: 0.30 kg (0.66 lbs)
On pipe: 0.55/0.90 kg (1.21/1.98 lbs)
Lubricant: Self-lubricating with the cleaning fluid
Working pressure: 1 - 3 bar (14.5 - 44 psi)
Recommended pressure: 2 bar (29 psi)
Max. working temperature: 95 °C (203 °F)
Max. ambient temperature: 140 °C (284 °F)
Wetting radius: Max. 3 m (10 ft)
Impact cleaning radius: Max. effective 1.4 m (4 ft)
Connections: 1/2" or 3/4" BSP or NPT thread.
Clip-on, weld joint (butt weld), other on request



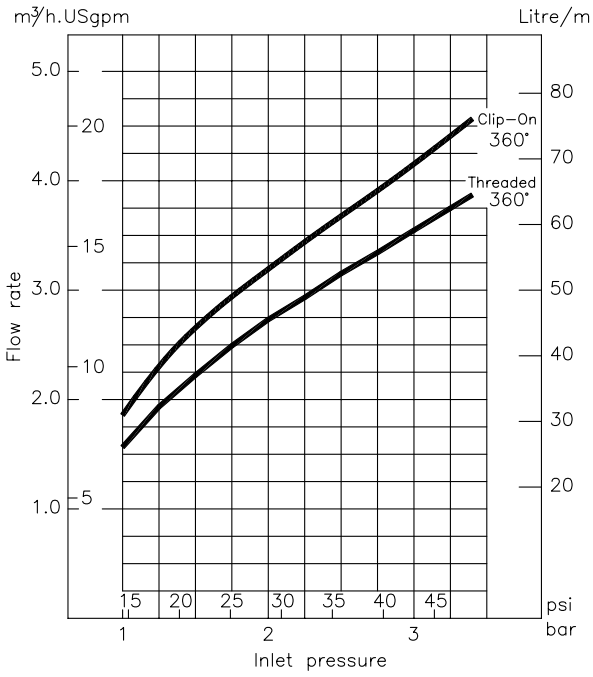
Ordering

Please specify required connections, material selection and type of certification required. Please also confirm the application suitability.

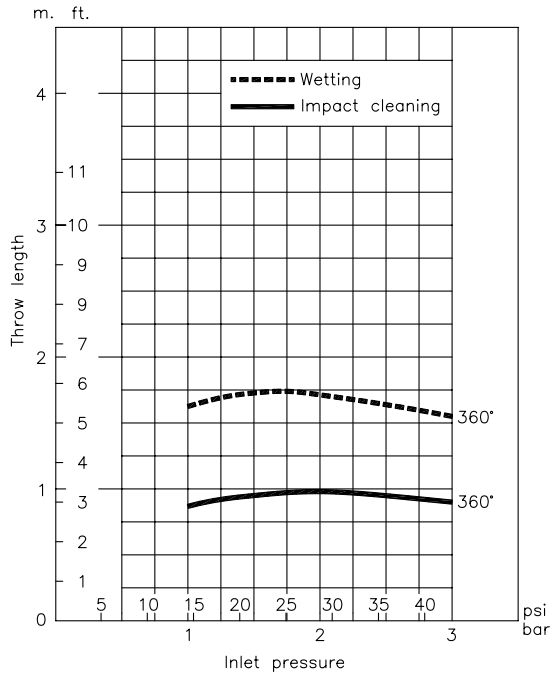
Options

- Downpipes with Tri-Clamp and flange connections
- Electropolishing
- 3.1.B certification can be quoted on request

Flow Rate

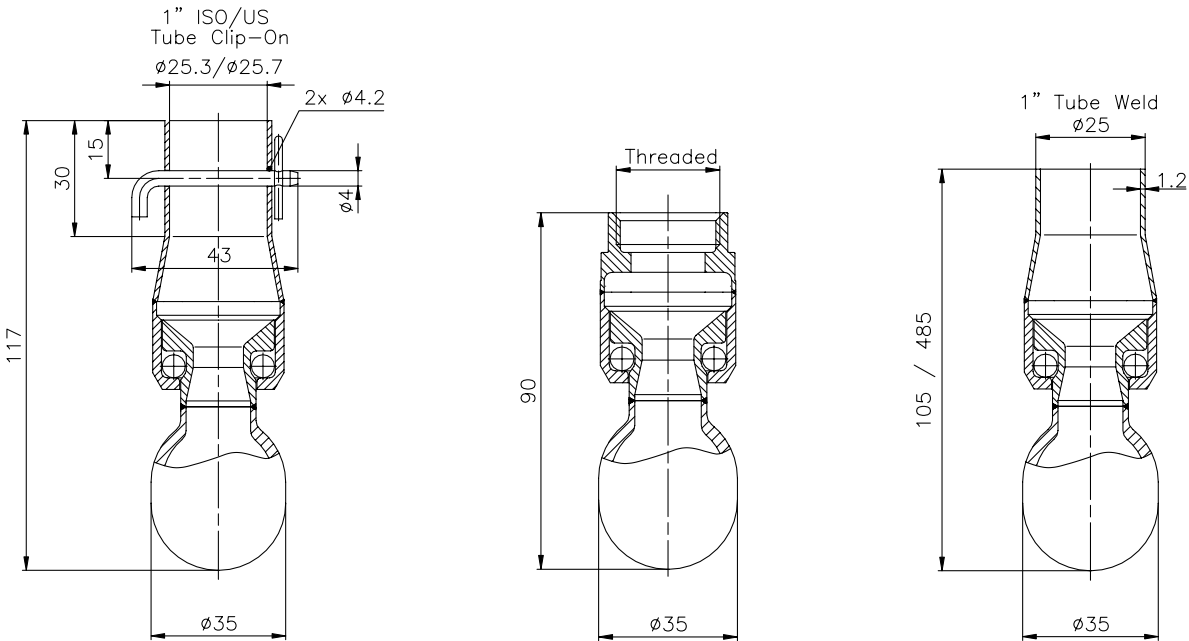


Cleaning Radius



For clip-on models, the flow rate is increased by approx 0.5 m³/h.

Dimensions (mm)



PD 66397 GB1 2003-08

The information contained herein is correct at the time of issue, but may be subject to change without prior notice.

How to contact Alfa Laval

Contact details for all countries are continually updated on our website. Please visit www.alfalaval.com or www.toftejorg.com to access the information direct.



800.654.5635
www.csidesigns.com