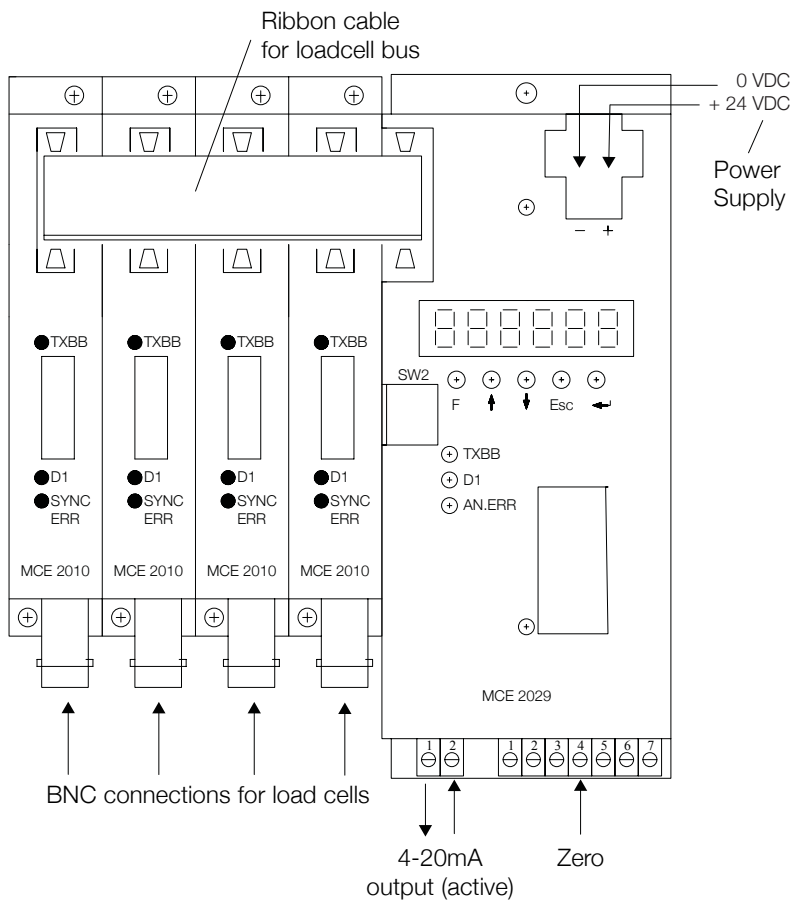


**Electrical connection schematic of 4 load cells,
4 load cell modules and a 4-20 mA output module:**



800.654.5635
www.csidesigns.com