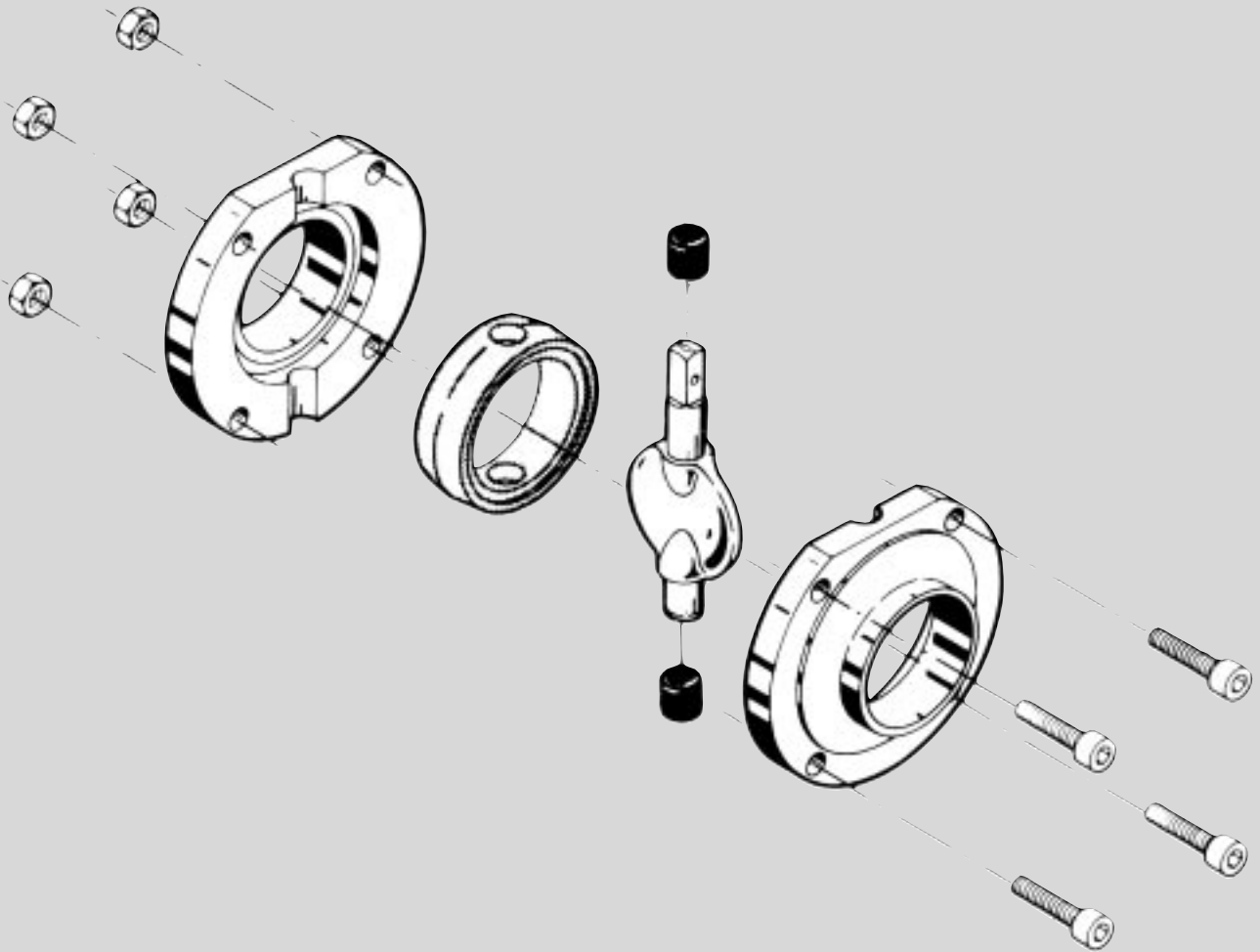
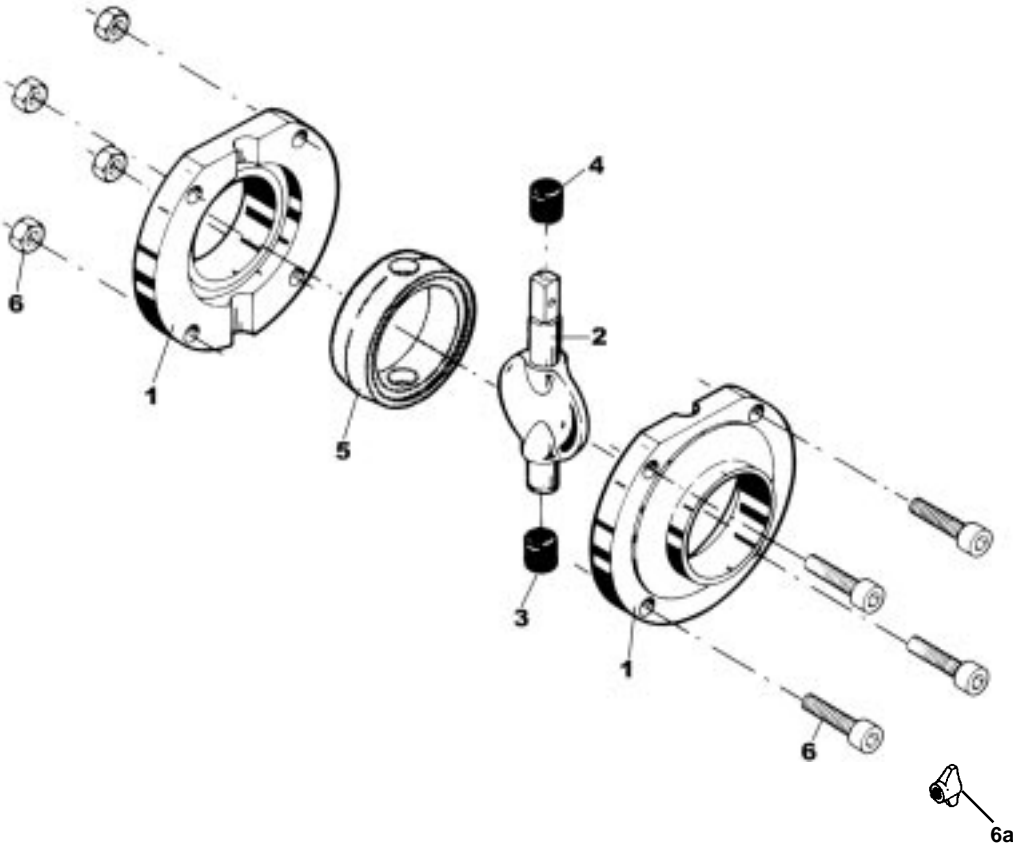


LKB Butterfly Valve





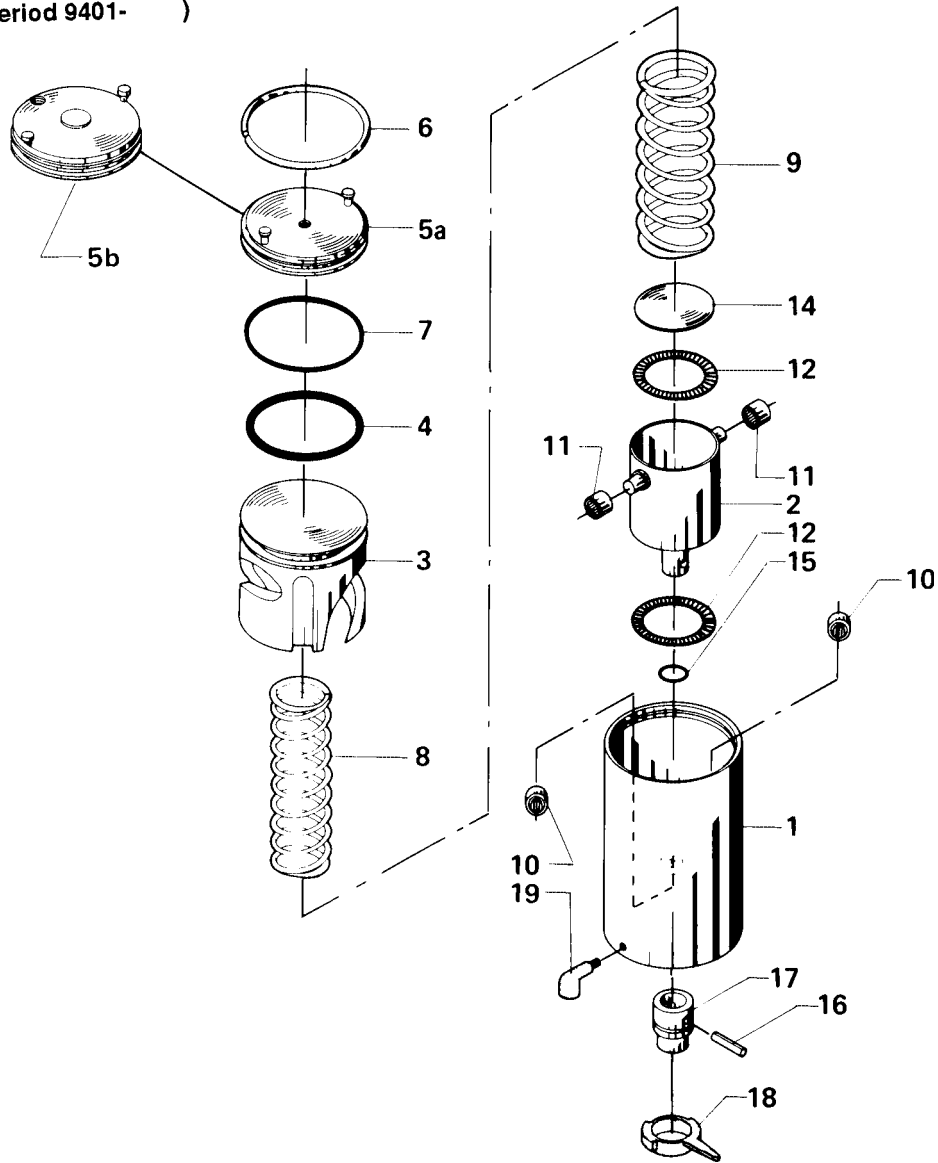
AISI 304 and 316 for INCH

Pos.	Qty.	Description Disc Connection	1" Part No. 8 mm	1.5" Part No. 8 mm	2" Part No. 8 mm	2.5" Part No. 8 mm	3" Part No. 10 mm	4" Part No. 12 mm	6" Part No. 15 mm
1	2	Valve body half (AISI 304) (Period 8103 -)	9611-44-365-0	9611-44-322-0	9611-44-323-0	9611-44-324-0	9611-44-307-0	9611-41-325-0	9611-41-367-0
1	2	Valve body half (AISI 316L) .. (Period 8103 -)	9611-44-365-1	9611-44-322-1	9611-44-323-1	9611-44-324-1	9611-44-307-1	9611-41-325-1	9611-41-367-1
2	1	Disc (AISI 316L)	9611-41-368-1	9611-41-169-1	9611-41-177-1	9611-41-185-1	9611-41-193-1	N/A	9611-41-3701
	1	Disc, 12 (AISI 316L)	N/A	N/A	N/A	N/A	N/A	9612-0463-02	N/A
		(Period 8906 -)							
3	1	Bush	9611-41-181-0	9611-41-173-0	9611-41-181-0	9611-41-189-0	9611-41-197-0	9611-41-206-0	9611-41-379-0
4	1	Bush	9611-41-376-0	9611-41-173-0	9611-41-181-0	9611-41-189-0	9611-41-197-0	9611-41-205-0	9611-41-379-0
5	1	Seal ring, EPDM	9611-41-413-0	9611-41-409-0	9611-41-410-0	9611-41-411-0	9611-41-406-0	9611-41-412-0	9611-41-415-0
	1	Seal ring, SILICONE	9611-41-372-0	9611-41-174-0	9611-41-182-0	9611-41-190-0	9611-41-198-0	9611-41-207-0	9611-41-374-0
	1	Seal ring, FPM	9611-41-413-3	9611-41-409-3	9611-41-410-3	9611-41-411-3	9611-41-406-3	9611-41-412-3	9611-41-415-3
	1	Seal ring, HNBR	9611-41-413-4	9611-41-409-4	9611-41-410-4	9611-41-411-4	9611-41-406-4	9611-41-412-4	9611-41-415-4
6	1	Set screw M6 + Nut M6	9611-41-734-0	9611-41-734-0	N/A	N/A	N/A	N/A	N/A
	1	Set screw M8 + Nut M8	N/A	N/A	9611-41-735-0	9611-41-735-0	9611-41-736-0		
	1	Set screw M10 + Nut M10	N/A	N/A	N/A	N/A	N/A	9611-41-737-0	N/A
	1	Set screw M15 + Nut M15	N/A	N/A	N/A	N/A	N/A	N/A	9611-41-7380
6a	1	Wing nut kit	9611-41-6900	9611-41-6900	9611-41-6901	9611-41-69-01	9611-41-6902	9611-41-6903	9611-41-6904
	1	Service kit, EPDM	9611-92-3028	9611-92-3029	9611-92-3030	9611-92-3031	9611-92-3032	9611-92-3033	9611-92-3046
	1	Service kit, SILICONE	9611-92-3034	9611-92-3035	9611-92-3036	9611-92-3037	9611-92-3038	9611-92-3039	9611-92-3047
	1	Service kit, FPM	9611-92-3040	9611-92-3041	9611-92-3042	9611-92-3043	9611-92-3044	9611-92-3045	9611-92-3048
	1	Service kit, HNBR	881-42599	881-42600	881-42601	881-42602	881-42603	881-42604	881-42605

Parts marked with are included in the service kits.

Note: Disc connection 10 mm for 4" is not available anymore, please rebuild the air-actuator and/or handle to disc connection 12 mm.

Mark III
(Period 9401-)



Actuator for Butterfly Valve LKLA ø85 (NC-NO)

Pos.	Qty.	Description Disc Connection	1" - 2.5"	3"	4"	1" - 2.5"	3"	4"
			NC Part No. 8 mm	NC Part No. 10 mm	NC Part No. 12 mm	NO Part No. 8 mm	NO Part No. 10 mm	NO Part No. 12 mm
	1	Actuator, complete	9611-41-630-1	9611-41-630-2	9611-41-630-6	9611-41-630-4	9611-41-630-5	9611-41-630-7
1	1	Air cylinder	9611-41-758-0	9611-41-758-0	9611-41-758-0	9611-41-758-0	9611-41-758-0	9611-41-758-0
2	1	Rotating cylinder	9611-41-638-0	9611-41-638-0	9611-41-638-0	9611-41-638-0	9611-41-638-0	9611-41-638-0
3	1	Piston	9611-41-631-0	9611-41-631-0	9611-41-631-0	9611-41-741-0	9611-41-741-0	9611-41-741-0
4Δ	1	O-ring, NBR	9611-99-0052	9611-99-0052	9611-99-0052	9611-99-0052	9611-99-0052	9611-99-0052
5a	1	End cap**	31357-0740-1	31357-0740-1	31357-0740-1	31357-0740-1	31357-0740-1	31357-0740-1
		(Period 8911-)						
6	1	Retaining ring	9611-40-2021	9611-40-2021	9611-40-2021	9611-40-2021	9611-40-2021	9611-40-2021
7Δ	1	O-ring, NBR	9611-99-0396	9611-99-0396	9611-99-0396	9611-99-0396	9611-99-0396	9611-99-0396
8	1	Inner spring	9611-99-1629	9611-99-1629	9611-99-1629	9611-99-1629	9611-99-1629	9611-99-1629
9	1	Outer spring	9611-99-1631	9611-99-1631	9611-99-1631	9611-99-1631	9611-99-1631	9611-99-1631
10Δ	2	Needle bearing	9611-99-1230	9611-99-1230	9611-99-1230	9611-99-1230	9611-99-1230	9611-99-1230
11Δ	2	Needle bearing	9611-99-1231	9611-99-1231	9611-99-1231	9611-99-1231	9611-99-1231	9611-99-1231
12Δ	2	Thrust bearing	9611-99-1236	9611-99-1236	9611-99-1236	9611-99-1236	9611-99-1236	9611-99-1236
14	1	Thrust plate	9611-41-646-0	9611-41-646-0	9611-41-646-0	9611-41-646-0	9611-41-646-0	9611-41-646-0
15Δ	1	O-ring, NBR	9611-99-1233	9611-99-1233	9611-99-1233	9611-99-1233	9611-99-1233	9611-99-1233
16	1	Connex pin	9611-99-1235	9611-99-1235	9611-99-1235	9611-99-1235	9611-99-1235	9611-99-1235
17	1	Coupling	9611-41-644-0	9611-41-645-0	9612-0447-03	9611-41-644-0	9611-41-645-0	9612-0447-03
18	1	Activating ring, Noryl	9611-41-669-0	9611-41-669-0	9611-41-669-0	9611-41-669-0	9611-41-669-0	9611-41-669-0
		with screw						
19	1	Water rejector	9611-41-775-0	9611-41-775-0	9611-41-775-0	9611-41-775-0	9611-41-775-0	9611-41-775-0
		(Period 8310-)						
Δ	1	Service kit for LKLA ø85 (NC-NO) ...	881-20145	881-20145	881-20145	881-20145	881-20145	881-20145

Parts marked with Δ are included in the service kit.

** End cap for MAG TOP and LKT-S/N (standard now)

NC/NO for Altop

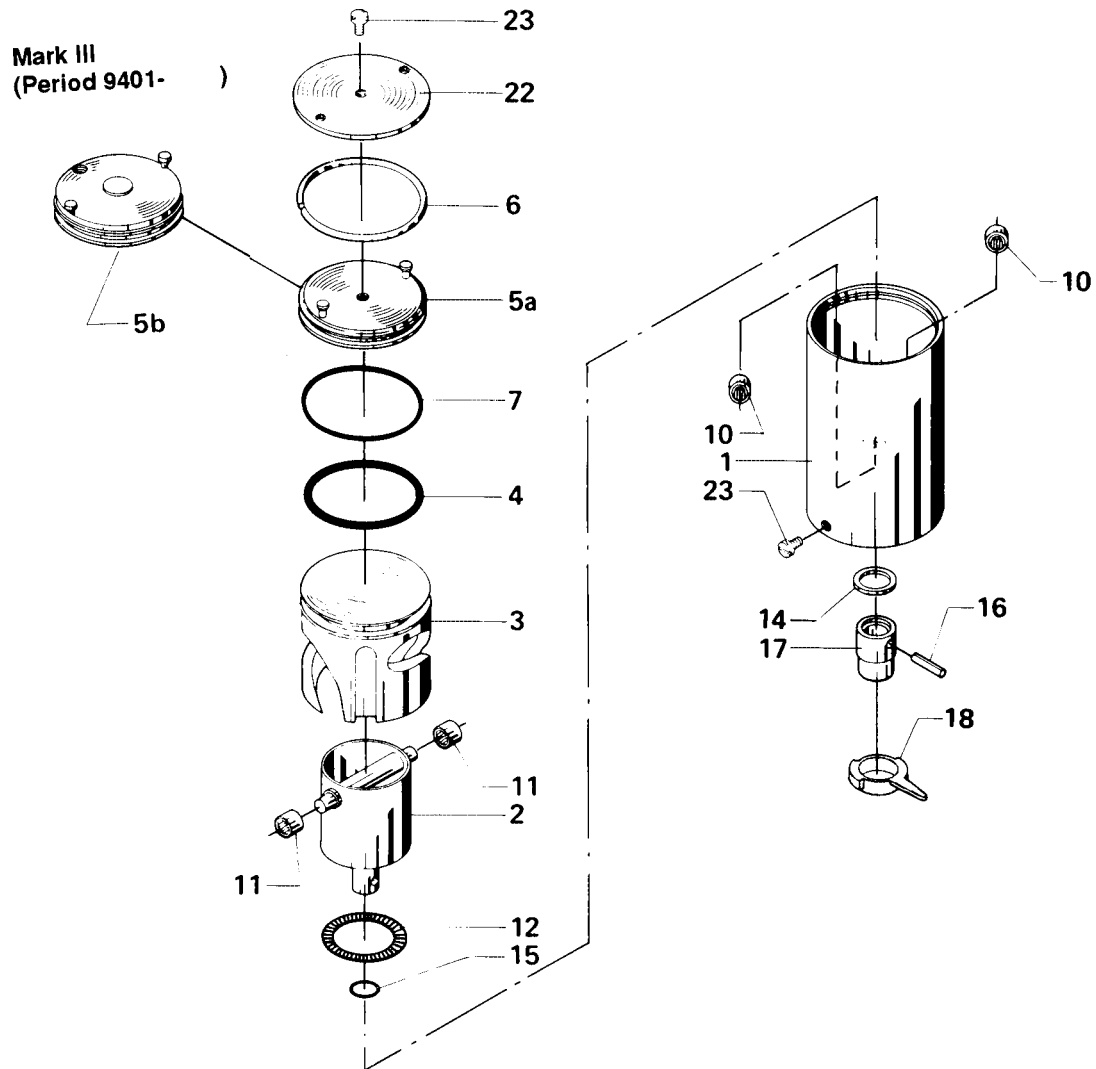
Pos.	Qty.	Description Disc Connection	1" - 2.5"	3"	4"	1" - 2.5"	3"	4"
			NC Part No. 8 mm	NC Part No. 10 mm	NC Part No. 12 mm	NO Part No. 8 mm	NO Part No. 10 mm	NO Part No. 12 mm
	1	Actuator, complete for Altop	9611-41-678-1	9611-41-678-2	9611-41-678-6	9611-41-678-4	9611-41-678-5	9611-41-678-7
5b	1	1 End cap, Mark III	9611-41-674-0	9611-41-674-0	9611-41-674-0	9611-41-674-0	9611-41-674-0	9611-41-674-0
		(Period 9401-)						

All other parts are same as above.

Note: 4" butterfly valve sold before 8906 = 10 mm
Please check the square size of the disc when ordering spares.

Recommended Spare Parts: Service kit

Alfa Laval



Actuator for Butterfly Valve LKLA ø85 (A/A)

Pos.	Qty.	Description Disc Connection	1" - 2.5 8 mm	3" 10 mm	4" 12 mm	6" 15 mm
	1	Actuator	9611-41-749-1	9611-41-749-2	9611-41-749-3	9611-41-750-0
1	1	Air Cylinder	9611-41-758-0	9611-41-758-0	9611-41-758-0	9611-41-742-0
2	1	Rotating cylinder	9611-41-744-1	9611-41-744-1	9611-41-744-1	9611-41-744-0
3	1	Piston	9611-41-752-0	9611-41-752-0	9611-41-752-0	9611-41-752-0
4 Δ	1	O-ring, NBR	9611-99-0052	9611-99-0052	9611-99-0052	9611-99-0052
5a	1	End cap**	31357-0740-1	31357-0740-1	31357-0740-1	31357-0740-1
		(Period 8911-)				
6	1	Retaining ring	9611-40-2021	9611-40-2021	9611-40-2021	9611-40-2021
7 Δ	1	O-ring, NBR	9611-99-0396	9611-99-0396	9611-99-0396	9611-99-0396
10Δ	2	Needle bearing	9611-99-1230	9611-99-1230	9611-99-1230	9611-99-1230
11Δ	2	Needle bearing	9611-99-1231	9611-99-1231	9611-99-1231	9611-99-1231
12Δ	1	Thrust bearing	9611-99-1236	9611-99-1236	9611-99-1236	9611-99-1236
14	1	Thrust plate	9611-41-757-0	9611-41-757-0	9611-41-757-0	9611-41-754-0
15Δ	1	O-ring, NBR	9611-99-1233	9611-99-1233	9611-99-1233	9611-99-0030
16	1	Connex pin	9611-99-1235	9611-99-1235	9611-99-1235	9611-99-1313
17	1	Coupling	9611-41-755-1	9611-41-756-1	9612-0448-02	9611-41-665-0
18	1	Activating ring	9611-41-669-0	9611-41-669-0	9611-41-669-0	
		with screw				
22***	1	Retaining plate	9611-41-437-0	9611-41-437-0	9611-41-437-0	9611-41-437-0
23	2	Threaded plug	9611-99-1221	9611-99-1221	9611-99-1221	9611-99-1221
Δ	1	Service kit for actuator LKLA ø85 (A/A)	9611-92-3011	9611-92-3011	9611-92-3011	9611-92-3012

Parts marked with Δ are included in the service kit.

** End cap for MAG TOP and LKT-S/N (standard now)

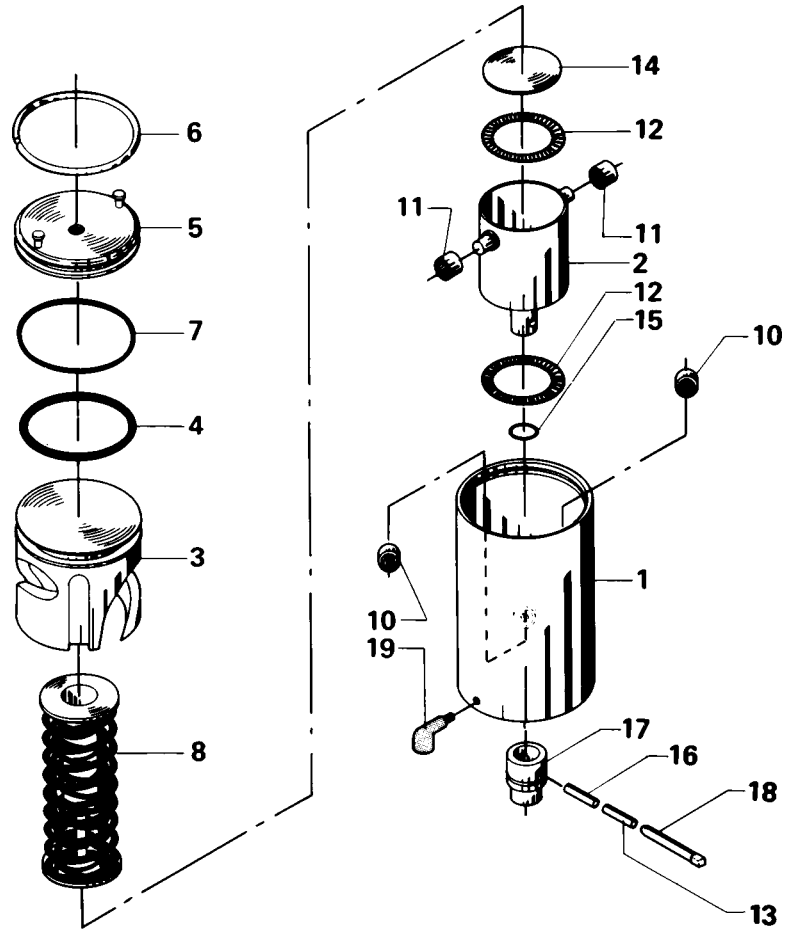
*** Up to 8910 supplied without holes, is no longer available

Air/Air for Altop

Pos.	Qty.	Description Disc Connection	1" - 2.5 8 mm	3" 10 mm	4" 12 mm
	1	Air/Air for Altop	9612-0812-02	9612-0812-03	9612-0812-04
5b	1	End cap, Mark III	9611-41-674-0	9611-41-674-0	9611-41-674-0
		(Period 9401-)			

All other parts are same as above.

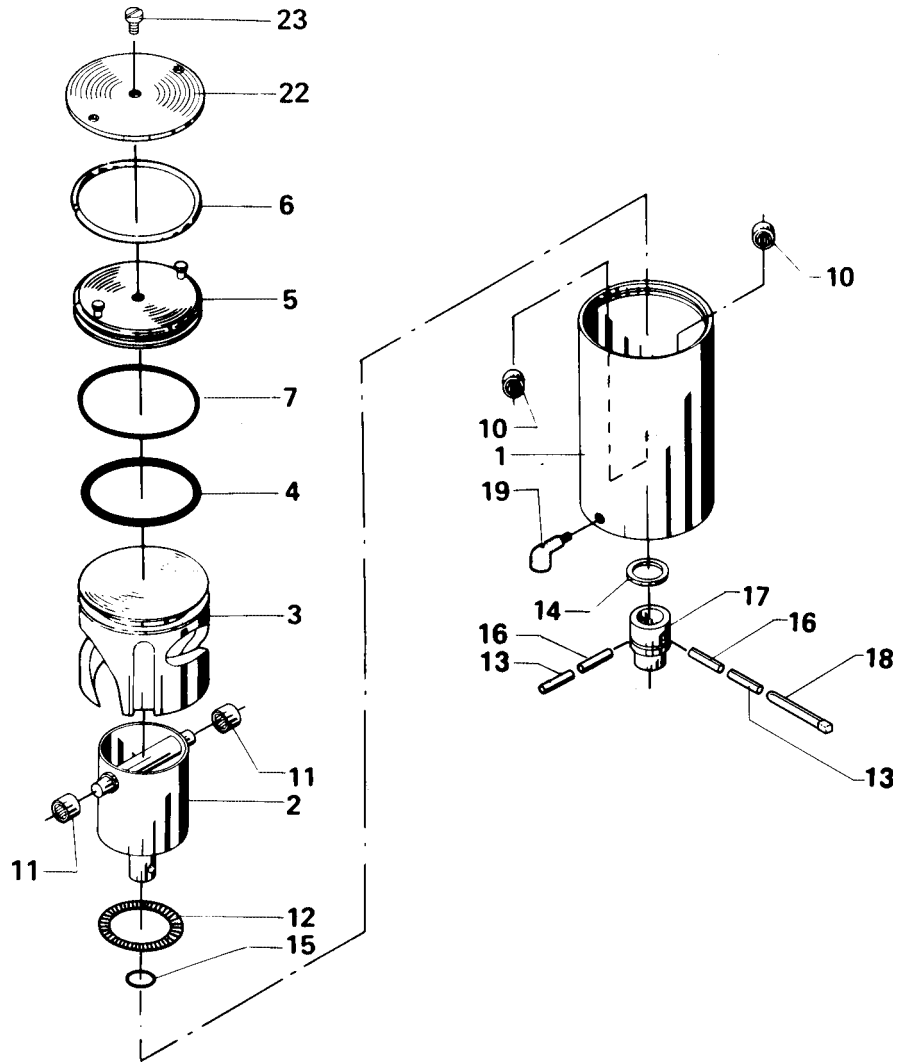
Note: 4" butterfly valve sold before 8906 = 10 mm
Please check the square size of the disc when ordering spares.



Actuator for Butterfly Valve LKLA ø133 (NC-NO)

Pos.	Qty.	Description Disc Connection	4"	4"	6"	6"
			NC Part No. 12 mm	NO Part No. 12 mm	NC Part No. 15 mm	NO Part No. 15 mm
	1	Actuator, complete	9612-2713-06	9612-2713-07	9612-2713-16	9612-2713-17
1	1	Air cylinder	9612-2685-01	9612-2685-01	9612-2685-01	9612-2685-01
2	1	Rotating cylinder	9612-2678-01	9612-2678-01	9612-2678-01	9612-2678-01
3	1	Piston	9612-2700-01	9612-2680-01	9612-2700-01	9612-2680-01
4 Δ	1	O-ring, NBR	9611-99-2367	9611-99-2367	9611-99-2367	9611-99-2367
5	1	End cap	9612-2714-01	9612-2714-01	9612-2714-01	9612-2714-01
6	1	Retaining ring	9612-2682-01	9612-2682-01	9612-2682-01	9612-2682-01
7 Δ	1	O-ring, NBR	9611-99-0035	9611-99-0035	9611-99-0035	9611-99-0035
8	1	Spring assembly	9612-2701-01	9612-2701-01	9612-2701-01	9612-2701-01
10Δ	2	Needle bearing	9611-99-1231	9611-99-1231	9611-99-1231	9611-99-1231
11Δ	2	Needle bearing	9611-99-2355	9611-99-2355	9611-99-2355	9611-99-2355
12Δ	2	Thrust bearing	9611-99-2347	9611-99-2347	9611-99-2347	9611-99-2347
13	1	Connex pin	9611-99-2357	9611-99-2357	9611-99-2357	9611-99-2357
14	1	Thrust plate	9612-2671-01	9612-2671-01	9612-2671-01	9612-2671-01
15Δ	1	O-ring, NBR	9611-99-0079	9611-99-0079	9611-99-0079	9611-99-0079
16	1	Connex pin	9611-99-2358	9611-99-2358	9611-99-2358	9611-99-2358
17	1	Coupling	9612-2715-01	9612-2715-01	9612-2715-03	9612-2715-03
18	1	Indication pin	9612-2719-01	9612-2719-01	9612-2719-01	9612-2719-01
19	1	Water rejector	9611-41-775-0	9611-41-775-0	9611-41-775-0	9611-41-775-0
Δ	1	Service kit for LKLA ø133 (NC-NO)	9611-92-3020	9611-92-3020	9611-92-3020	9611-92-3020

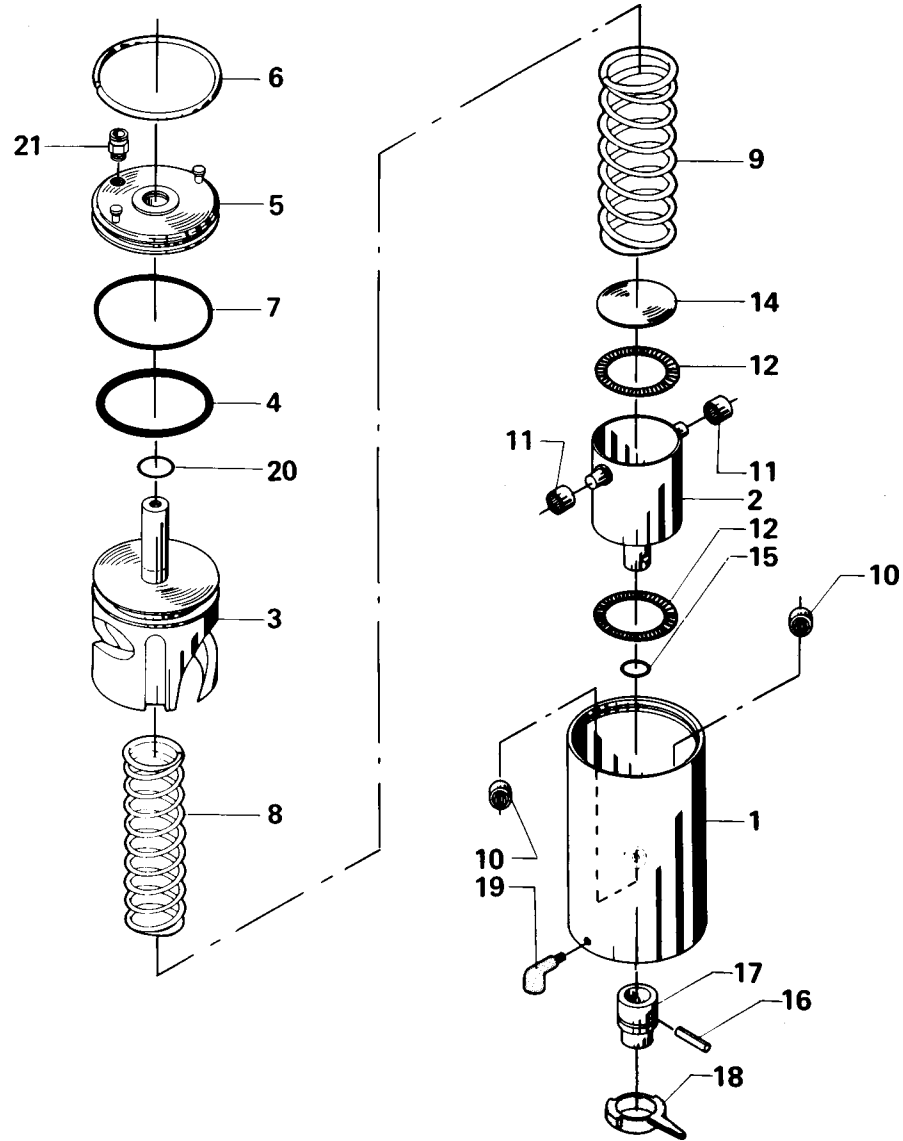
Parts marked with Δ are included in the service kit.



Actuator for Butterfly Valve LKLA ø133 (A/A)

Pos.	Qty.	Description Disc Connection	4" Part No. 12 mm	6" Part No. 15 mm
	1	Actuator, complete	9612-2713-08	9612-2713-18
1	1	Air Cylinder	9612-2685-01	9612-2685-01
2	1	Rotating cylinder	9612-2678-01	9612-2678-01
3	1	Piston	9612-2680-01	9612-2680-01
4Δ	1	O-ring, NBR	9611-99-2367	9611-99-2367
5	1	End cap	9612-2714-01	9612-2714-01
6	1	Retaining ring	9612-2682-01	9612-2682-01
7Δ	1	O-ring, NBR	9611-99-0035	9611-99-0035
10Δ	2	Needle bearing	9611-99-1231	9611-99-1231
11Δ	2	Needle bearing	9611-99-2355	9611-99-2355
12Δ	1	Thrust bearing	9611-99-2347	9611-99-2347
13	2	Connex pin	9611-99-2358	9611-99-2358
14	1	Thrust plate	9612-2804-01	9612-2804-01
15Δ	1	O-ring, NBR	9611-99-0079	9611-99-0079
16	2	Connex pin	9611-99-2357	9611-99-2357
17	1	Coupling	9612-2827-01	9612-2827-03
18	1	Indication pin	9612-2719-01	9612-2719-01
19	1	Water rejector	9611-41-775-0	9611-41-775-0
22	1	Retaining plate	9612-3486-01	9612-3486-01
23	1	Threaded plug	9611-99-1221	9611-99-1221
Δ	1	Service kit for LKLA ø133 (A/A)	9611-92-3022	9611-92-3022

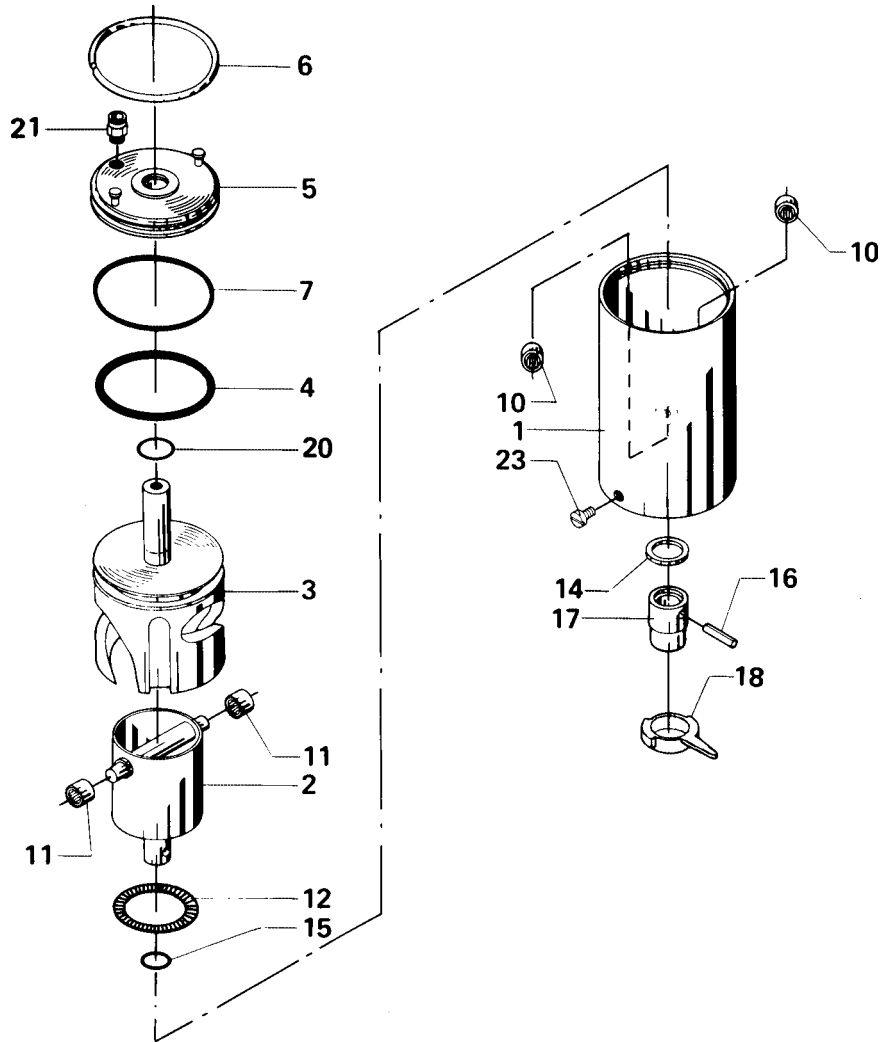
Parts marked with Δ are included in the service kit.



Actuator for Butterfly Valve LKLA-T ø85 (NC-NO)

Pos.	Qty.	Description Disc Connection	1" - 2.5"	3"	4"	1" - 2.5"	3"	4"
			NC Part No. 8 mm	NC Part No. 10 mm	NC Part No. 12 mm	NO Part No. 8 mm	NO Part No. 10 mm	NO Part No. 12 mm
	1	Actuator, complete	9612-1940-02	9612-1940-03	9612-1940-07	9612-1940-05	9612-1940-06	9612-1940-08
1	1	Air cylinder	9611-41-758-0	9611-41-758-0	9611-41-758-0	9611-41-758-0	9611-41-758-0	9611-41-758-0
2	1	Rotating cylinder	9611-41-638-0	9611-41-638-0	9611-41-638-0	9611-41-638-0	9611-41-638-0	9611-41-638-0
3	1	Piston	9612-1939-02	9612-1939-02	9612-1939-02	9612-1939-01	9612-1939-01	9612-1939-01
4	Δ 1	O-ring, NBR	9611-99-0052	9611-99-0052	9611-99-0052	9611-99-0052	9611-99-0052	9611-99-0052
5	1	End cap	9612-1936-01	9612-1936-01	9612-1936-01	9612-1936-01	9612-1936-01	9612-1936-01
6	1	Retaining ring	9611-40-202-1	9611-40-202-1	9611-40-202-1	9611-40-202-1	9611-40-202-1	9611-40-202-1
7	Δ 1	O-ring, NBR	9611-99-0396	9611-99-0396	9611-99-0396	9611-99-0396	9611-99-0396	9611-99-0396
8	1	Inner spring	9611-99-1629	9611-99-1629	9611-99-1629	9611-99-1629	9611-99-1629	9611-99-1629
9	1	Outer spring	9611-99-1631	9611-99-1631	9611-99-1631	9611-99-1631	9611-99-1631	9611-99-1631
10	Δ 2	Needle bearing	9611-99-1230	9611-99-1230	9611-99-1230	9611-99-1230	9611-99-1230	9611-99-1230
11	Δ 2	Needle bearing	9611-99-1231	9611-99-1231	9611-99-1231	9611-99-1231	9611-99-1231	9611-99-1231
12	Δ 2	Thrust bearing	9611-99-1236	9611-99-1236	9611-99-1236	9611-99-1236	9611-99-1236	9611-99-1236
14	1	Thrust plate	9611-41-646-0	9611-41-646-0	9611-41-646-0	9611-41-646-0	9611-41-646-0	9611-41-646-0
15	Δ 1	O-ring, NBR	9611-99-1233	9611-99-1233	9611-99-1233	9611-99-1233	9611-99-1233	9611-99-1233
16	1	Connex pin	9611-99-1235	9611-99-1235	9611-99-1235	9611-99-1235	9611-99-1235	9611-99-1235
17	1	Coupling	9611-41-644-0	9611-41-645-0	9612-0447-03	9611-41-644-0	9611-41-645-0	9612-0447-03
18	1	Activating ring	9611-41-669-0	9611-41-669-0	9611-41-669-0	9611-41-669-0	9611-41-669-0	9611-41-669-0
		with screw						
19	1	Water rejector	9611-41-775-0	9611-41-775-0	9611-41-775-0	9611-41-775-0	9611-41-775-0	9611-41-775-0
20	Δ 1	O-ring, NBR	223404-21	223404-21	223404-21	223404-21	223404-21	223404-21
21	1	Air fitting	881-249420	881-249420	881-249420	881-249420	881-249420	881-249420
Δ	1	Service kit for LKLA-T ø85 (NC-NO) ..	9611-92-3021	9611-92-3021	9611-92-3021	9611-92-3021	9611-92-3021	9611-92-3021

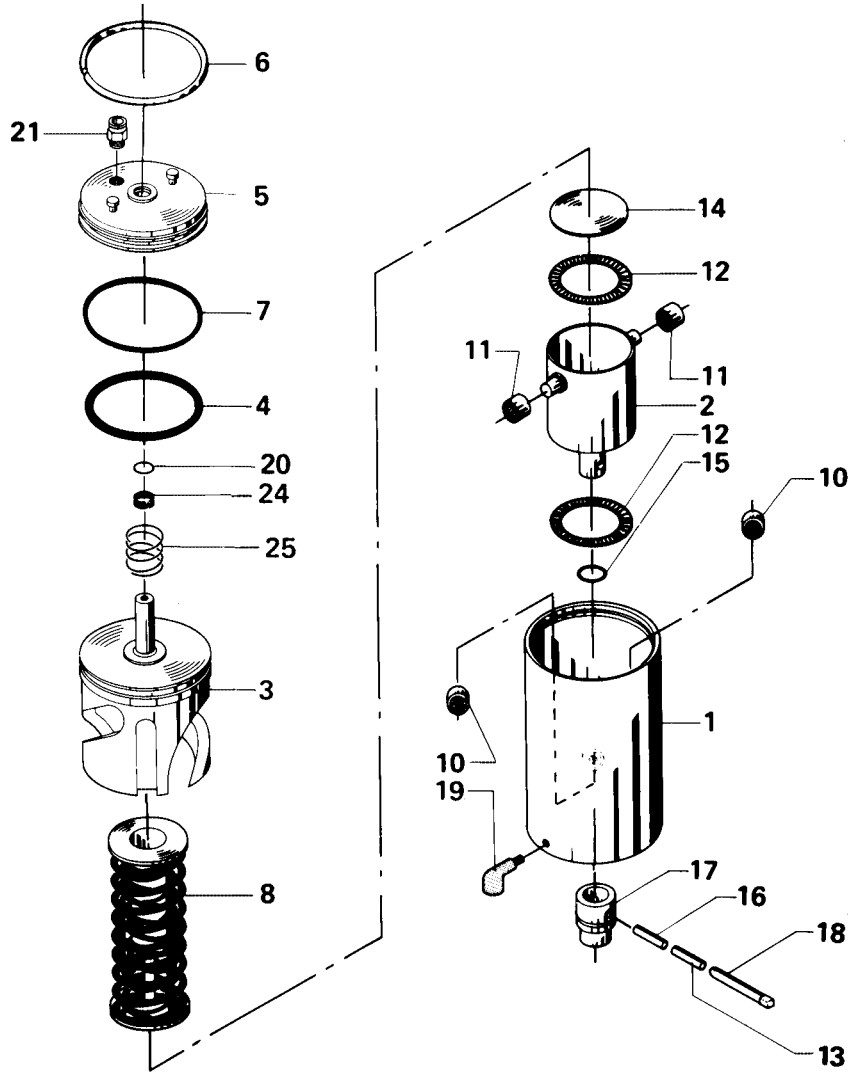
Parts marked with Δ are included in the service kit.



Actuator for Butterfly Valve LKLA-T ø85 (A/A)

Pos.	Qty.	Description Disc Connection	1" - 2.5 Part No. 8 mm	3" Part No. 10 mm	4" Part No. 12 mm	6" Part No. 15 mm
	1	Actuator, complete	9612-1941-02	9612-1941-03	9612-1941-04	9612-1942-01
1	1	Air cylinder	9611-41-758-0	9611-41-758-0	9611-41-758-0	9611-41-742-0
2	1	Rotating cylinder	9611-41-744-1	9611-41-744-1	9611-41-744-1	9611-41-744-0
3	1	Piston	9612-1939-03	9612-1939-03	9612-1939-03	9612-1939-03
4 Δ	1	O-ring, NBR	9611-99-0052	9611-99-0052	9611-99-0052	9611-99-0052
5	1	End cap	9612-1936-01	9612-1936-01	9612-1936-01	9612-1936-01
6	1	Retaining ring	9611-40-202-1	9611-40-202-1	9611-40-202-1	9611-40-202-1
7 Δ	1	O-ring, NBR	9611-99-0396	9611-99-0396	9611-99-0396	9611-99-0396
10Δ	2	Needle bearing	9611-99-1230	9611-99-1230	9611-99-1230	9611-99-1230
11Δ	2	Needle bearing	9611-99-1231	9611-99-1231	9611-99-1231	9611-99-1231
12Δ	1	Thrust bearing	9611-99-1236	9611-99-1236	9611-99-1236	9611-99-1236
14	1	Thrust plate	9611-41-757-0	9611-41-757-0	9611-41-757-0	9611-41-754-0
15Δ	1	O-ring, NBR	9611-99-1233	9611-99-1233	9611-99-1233	9611-99-0030
16	1	Connex pin	9611-99-1235	9611-99-1235	9611-99-1235	9611-99-1313
17	1	Coupling	9611-41-755-1	9611-41-756-1	9612-0448-02	9611-41-747-1
18	1	Activating ring with screw	9611-41-669-0	9611-41-669-0	9611-41-669-0	9611-41-665-0
20Δ	1	O-ring, NBR	223404-21	223404-21	223404-21	223404-21
21	1	Air fitting	881-249420	881-249420	881-249420	881-249420
23	1	Threaded plug	9611-99-1221	9611-99-1221	9611-99-1221	9611-99-1221
Δ	1	Service kit for LKLA-T ø85 (A/A)	9611-92-3023	9611-92-3023	9611-92-3023	9611-92-3024

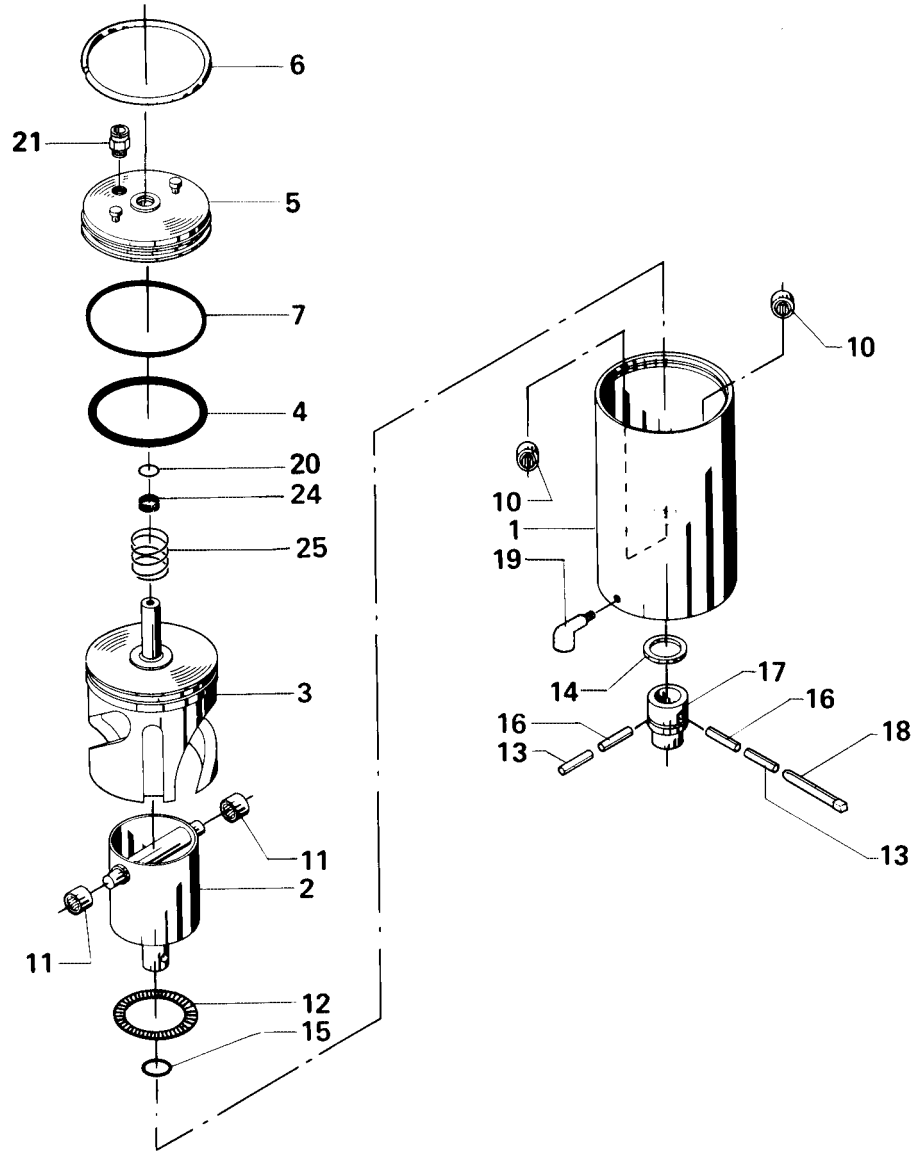
Parts marked with Δ are included in the service kit.



Actuator for Butterfly Valve LKLA-T ø133 (NC-NO)

Pos.	Qty.	Description Disc Connection	4"	4"	6"	6"
			NC Part No. 12 mm	NO Part No. 12 mm	NC Part No. 15 mm	NO Part No. 15 mm
	1	Actuator, complete	9612-3749-06	9612-3749-07	9612-3749-16	9612-3749-17
1	1	Air cylinder	9612-2685-01	9612-2685-01	9612-2685-01	9612-2685-01
2	1	Rotating cylinder	9612-2678-01	9612-2678-01	9612-2678-01	9612-2678-01
3	1	Piston	9612-3699-01	9612-3699-02	9612-3699-01	9612-3699-02
4 Δ	1	O-ring, NBR	9611-99-2367	9611-99-2367	9611-99-2367	9611-99-2367
5	1	End cap	9612-2714-02	9612-2714-02	9612-2714-02	9612-2714-02
6	1	Retaining ring	9612-2682-01	9612-2682-01	9612-2682-01	9612-2682-01
7 Δ	1	O-ring, NBR	9611-99-0035	9611-99-0035	9611-99-0035	9611-99-0035
8	1	Spring assembly	9612-2701-01	9612-2701-01	9612-2701-01	9612-2701-01
10Δ	2	Needle bearing	9611-99-1231	9611-99-1231	9611-99-1231	9611-99-1231
11Δ	2	Needle bearing	9611-99-2355	9611-99-2355	9611-99-2355	9611-99-2355
12Δ	2	Thrust bearing	9611-99-2347	9611-99-2347	9611-99-2347	9611-99-2347
13	1	Connex pin	9611-99-2357	9611-99-2357	9611-99-2357	9611-99-2357
14	1	Thrust plate	9612-2671-01	9612-2671-01	9612-2671-01	9612-2671-01
15Δ	1	O-ring, NBR	9611-99-0079	9611-99-0079	9611-99-0079	9611-99-0079
16	1	Connex pin	9611-99-2358	9611-99-2358	9611-99-2358	9611-99-2358
17	1	Coupling	9612-2715-01	9612-2715-01	9612-2715-03	9612-2715-03
18	1	Indication pin	9612-2719-01	9612-2719-01	9612-2719-01	9612-2719-01
19	1	Water rejector	9611-41-775-0	9611-41-775-0	9611-41-775-0	9611-41-775-0
20Δ	1	O-ring	223404-21	223404-21	223404-21	223404-21
21	1	Air fitting	881-249420	881-249420	881-249420	881-249420
24Δ	1	Guiding ring	9612-3698-01	9612-3698-01	9612-3698-01	9612-3698-01
25	1	Spring	9612-3700-01	9612-3700-01	9612-3700-01	9612-3700-01
Δ	1	Service kit for LKLA-T ø133 (NC-NO)	9611-92-3056	9611-92-3056	9611-92-3056	9611-92-3056

Parts marked with Δ are included in the service kit.



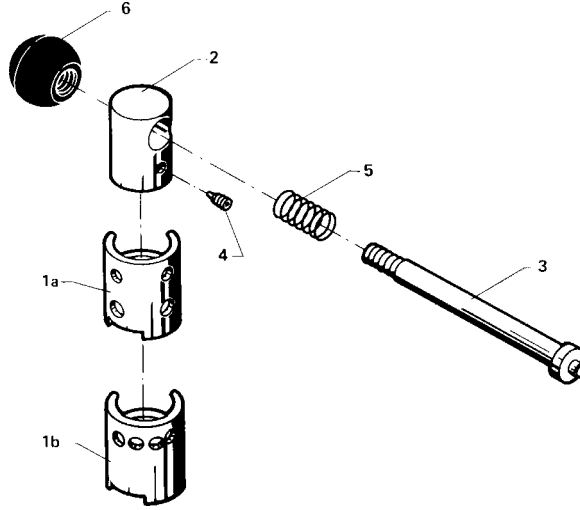
Actuator for Butterfly Valve LKLA-T ø133 (A/A)

Pos.	Qty.	Description Disc Connection	4" Part No. 12 mm	6" Part No. 15 mm
	1	Actuator, complete	9612-3749-08	9612-3749-18
1	1	Air cylinder	9612-2685-01	9612-2685-01
2	1	Rotating cylinder	9612-2678-01	9612-2678-01
3	1	Piston	9612-3699-02	9612-3699-02
4Δ	1	O-ring, NBR	9611-99-2367	9611-99-2367
5	1	End cap	9612-2714-02	9612-2714-02
6	1	Retaining ring	9612-2682-01	9612-2682-01
7Δ	1	O-ring, NBR	9611-99-0035	9611-99-0035
10Δ	2	Needle bearing	9611-99-1231	9611-99-1231
11Δ	2	Needle bearing	9611-99-2355	9611-99-2355
12Δ	1	Thrust bearing	9611-99-2347	9611-99-2347
13	2	Connex pin	9611-99-2358	9611-99-2358
14	1	Thrust plate	9612-2804-01	9612-2804-01
15Δ	1	O-ring, NBR	9611-99-0079	9611-99-0079
16	2	Connex pin	9611-99-2357	9611-99-2357
17	1	Coupling	9612-2827-01	9612-2827-03
18	1	Indication pin	9612-2719-01	9612-2719-01
19	1	Water rejector	9611-41-775-0	9611-41-775-0
20Δ	1	O-ring, NBR	223404-21	223404-21
21	1	Air fitting	881-249420	881-249420
24Δ	1	Guiding band	9612-3698-01	9612-3698-01
25	1	Spring	9612-3700-01	9612-3700-01
Δ	1	Service kit for LKLA-T ø133 (A/A)	9611-92-3057	9611-92-3057

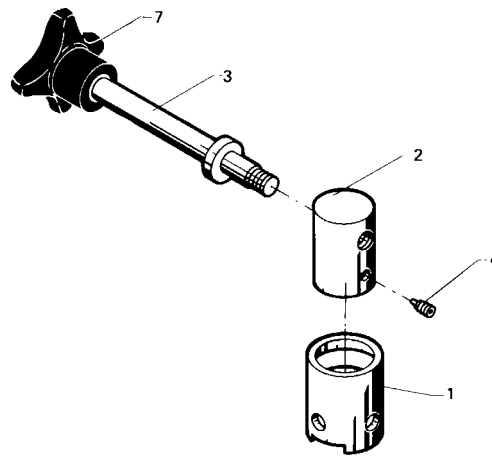
Parts marked with Δ are included in the service kit.

Alfa Laval

Two and Four Position Handle



Handle With Infinite Positions



Handle for Butterfly Valve Regulating Handle

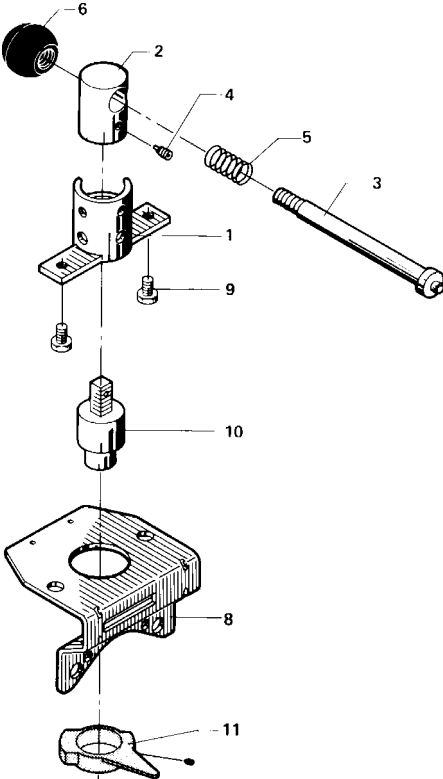
Two and Four Position Regulating Handle

Pos.	Qty.	Description Disc Connection	1" - 2.5" Part No. 8 mm	3" Part No. 10 mm	4" Part No. 12 mm	6" Part No. 15 mm
	1	2 position handle, complete	9612-0450-01	9612-0451-01	9612-0459-01	N/A
	1	4 position handle	9612-0450-02	9612-0451-02	9612-0459-02	9612-0791-01
1a	1	Location cap with 2 pos.	9611-41-138-0	9611-41-143-0	9612-0464-01	N/A
1b	1	Location cap with 4 pos.	9611-41-739-0	9611-41-740-0	9612-0465-01	9612-0792-01
2	1	Transfer block	9612-0454-01	9612-0455-01	9612-0462-01	9612-0793-01
3	1	Handle	9611-41-140-0	9611-41-140-1	9612-0461-01	9612-3685-01
4	1	Screw with pin	9612-0452-01	9612-0453-01	9612-0453-01	9612-0453-01
5	1	Spring	9611-99-1998	9611-99-1998	9611-99-1982	9612-3651-01
6	1	Ball	9611-99-1970	9611-99-1970	9611-99-1981	9611-99-2713

Regulating Handle With Infinite Positions

Pos.	Qty.	Description Disc Connection	1" - 2.5" Part No. 8 mm	3" Part No. 10 mm	4" Part No. 12 mm
	1	Handle with infinite positions, complete	9612-0474-01	9612-0474-02	9612-0474-03
1	1	Location cap	9612-0471-01	9612-0471-02	9612-0471-03
2	1	Transfer block	9612-0470-01	9612-0470-02	9612-0470-03
3	1	Handle	9612-0472-01	9612-0472-02	9612-0472-02
4	1	Screw with pin	9612-0452-01	9612-0453-01	9612-0453-01
7	1	Crosshead	9611-99-1995	9611-99-1996	9611-99-1996

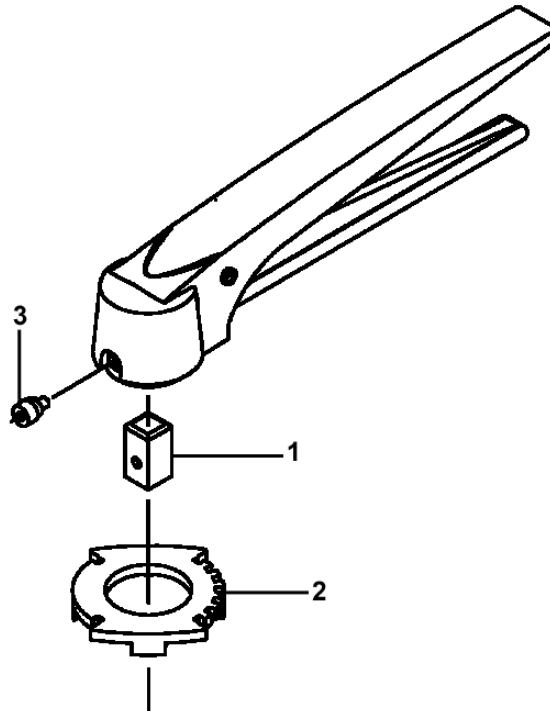
Note: Regulating handle with 10 mm disc connection can also be used for the old version of 4" butterfly valve.



Handle for Butterfly Valve for indication unit

Pos.	Qty.	Description Disc Connection	1" - 2.5"	3"	4"
			Part No. 8 mm	Part No. 10 mm	Part No. 12 mm
	1	Handle for indication unit, complete	9612-0475-01	9612-0475-02	9612-0475-03
1	1	Location cap with 2 pos.	9611-41-766-1	9611-41-767-1	9612-0469-01
2	1	Transfer block	9612-0454-01	9612-0455-01	9612-0462-01
3	1	Handle	9611-41-140-0	9611-41-140-1	9612-0461-01
4	1	Screw with pin	9612-0452-01	9612-0453-01	9612-0453-01
5	1	Spring	9611-99-1998	9611-99-1998	9611-99-1982
6	1	Ball	9611-99-1970	9611-99-1970	9611-99-1981
8	1	Bracket	9611-41-647-1	9611-41-648-1	9612-0815-01
9	2	Screw	9611-99-1686	9611-99-1686	9611-99-1686
10	1	Coupling	9611-41-771-1	9611-41-770-1	9612-0468-01
11	1	Activating ring with screw	9611-41-669-0	9611-41-669-0	9611-41-669-0

Alfa Laval



Pos.	Qty	Description	8 mm	10 mm	12 mm
	1	Handle complete	9612-5928-01	9612-5928-02	9612-5928-03
1	1	Insert	9612-5889-01	9612-5889-02	N/A
2	1	Positioning cap (3" - 4")	N/A	9612-5888-01	9612-5888-01
		Positioning cap (1" - 2.5")	9612-5887-01	N/A	N/A
3	1	Screw	9612-0453-02	9612-0453-01	9612-0453-01

