



HANGERS & SUPPORTS

HANGERS & SUPPORTS

PLATE W/O HOLES

DESCRIPTION	PART #
4" X 4" X 1/4", 304 SS	H0075



SQUARE TUBE END CAP PLATE W/O HOLES

DESCRIPTION	PART #
1 1/2" X 1 1/2" X 11 Ga, 304 SS	H0750
2" X 2" X 11 Ga, 304 SS	H0023
4" X 4" X 11 Ga, 304 SS	H0752
2" X 4" X 11 Ga, 304 SS	H0754
3" X 2" X 11 Ga, 304 SS	H0753
3" X 3" X 11 Ga, 304 SS	H0751



SQUARE PLATE W/ ONE ø9/16" HOLE

DESCRIPTION	PART #
2" X 2" X 1/4", 304 SS	H0268
3" X 3" X 1/4", 304 SS	H0039
4" X 4" X 1/4", 304 SS	H0045
2" X 2" X 11 Ga, 304 SS	H0016



RECTANGLE PLATE W/ TWO ø9/16" HOLES

DESCRIPTION	PART #
2" X 6" X 1/4", 304 SS	H0017



SQUARE PLATE W/ FOUR ø9/16" HOLES

DESCRIPTION	PART #
4" X 4" X 1/4", 304 SS	H0091
6" X 6" X 1/2", 304 SS	H0047
8" X 8" X 1/2", 304 SS	H0755



PIPE FLAT END CAP

DESCRIPTION	PART #
2.375" X 12 Ga, 304 SS	H0756
1.900" X 12 Ga, 304 SS	H0082



TUBE FLAT END CAP

DESCRIPTION	PART #
1" X 12 Ga, 304 SS	H0072
1 1/2" X 12 Ga, 304 SS	H0056
2" X 12 Ga, 304 SS	H0057
3" X 12 Ga, 304 SS	H0077



UNPOLISHED PIPE

DESCRIPTION	PART #
1 1/2" SCH 10, 304 SS	P10-1.5-304
2" SCH 10, 304 SS	P10-2.0-304



OD POLISHED PIPE

DESCRIPTION	PART #
1 1/2" SCH 10, 304 SS	PP10-1.5-304
2" SCH 10, 304 SS	PP10-2.0-304



ROUND BAR

DESCRIPTION	PART #
1/2", 304 SS	H0007
5/8", 304 SS	H0046
3/4", 304 SS	H0035



ALL THREAD

DESCRIPTION	PART #
1/2" - 13, 304 SS	H0006



PIPE DOME END CAP W/ ONE ø1/2" HOLE

DESCRIPTION	PART #
1 1/2" X 12 Ga, 304 SS	H0757
2" X 12 Ga, 304 SS	H0758



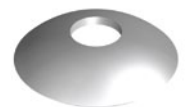
PIPE DOME END CAP W/ ONE ø5/8" HOLE

DESCRIPTION	PART #
1 1/2" X 12 Ga, 304 SS	H0759
2" X 12 Ga, 304 SS	H0760



PIPE DOME END CAP W/ ONE ø3/4" HOLE

DESCRIPTION	PART #
1 1/2" X 12 Ga, 304 SS	H0761
2" X 12 Ga, 304 SS	H0762



PIPE DOME END CAP W/O HOLE

DESCRIPTION	PART #
1 1/2" X 12 Ga, 304 SS	H0773
2" X 12 Ga, 304 SS	H0774





ADJUSTABLE FOOT 3A COMPLIANT, WELD-ON, 2" ADJUSTMENT

DESCRIPTION	PART #
1 1/2" PIPE, BALL END, 304 SS	FOOT3A-15P-B
1 1/2" PIPE, FLAT END, 304 SS	FOOT3A-15P-F
2" TUBE, BALL END, 304 SS	FOOT3A-20-B
2" TUBE, FLAT END, 304 SS	FOOT3A-20-F



PROXIMITY SWITCH COUPLING/HOLDER

DESCRIPTION	PART #
18 MM X 1, 1.375" OAL, 316 SS	CS00296
25.4 MM X 1, 0.875" OAL, 316 SS	CS00307
12 MM X 1, 1.625" OAL, 316 SS	CS00379



BEAM CLAMP

DESCRIPTION	PART #
GALVANIZED CARBON STEEL BEAM CLAMP	H0049



PIPE SADDLE, SCH 10

DESCRIPTION	PART #
1 1/2, 304 SS	H0775
2", 304 SS	H0776



45 DEG GUSSET

DESCRIPTION	PART #
2" X 2" X 1/4", 304 SS	H0289
3" X 3" X 1/4", 304 SS	H0290
4" X 4" X 1/4", 304 SS	H0291
6" X 6" X 1/4", 304 SS	H0293



45 DEG PIPE MITER, SCH 10

DESCRIPTION	PART #
1 1/2", 304 SS	H0763
2", 304 SS	H0764



90 DEG PIPE MITER, SCH 10

DESCRIPTION	PART #
1 1/2", 304 SS	H0261
2", 304 SS	H0613



HANGER PRODUCT LINE

DESCRIPTION
B24B SERIES - ALL SIZES



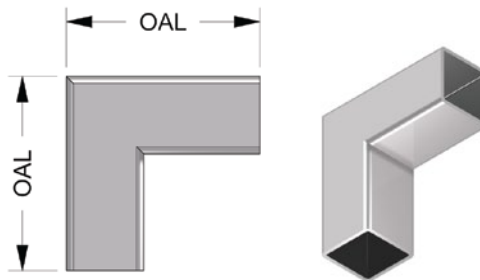
Complete Hanger Metal & PVC Insert Available in Sizes 1/2" - 6"

Individually Available:

- Removable PVC insert (for temperatures up to 300 DEG F)
- Metal hanger component

PRE-FABRICATED SQUARE TUBE SUPPORT

DESCRIPTION	PART #
1 1/2" X 7 Ga, SQ TUBE 3" OAL, 304 SS	H0765
2" X 7 Ga, SQ TUBE 4" OAL, 304 SS	H0766
3" X 7 Ga, SQ TUBE 6" OAL, 304 SS	H0767
4" X 7 Ga, SQ TUBE 8" OAL, 304 SS	H0768
1 1/2" X 11 Ga, SQ TUBE 3" OAL, 304 SS	H0769
2" X 11 Ga, SQ TUBE 4" OAL, 304 SS	H0770
3" X 11 Ga, SQ TUBE 6" OAL, 304 SS	H0771
4" X 11 Ga, SQ TUBE 8" OAL, 304 SS	H0772



Will ship 3-4 days after order.

ANCHOR PRODUCT LINE

DESCRIPTION	PART #
HEX HEAD STAINLESS STEEL ANCHOR SLEEVE FOR BLOCK WALLS, NEEDS A Ø1/2" HOLE (2 1/4" DEEP)	H0055
STAINLESS STEEL DOUBLE RAWL ANCHOR 3/8" X 16 BOLT, NEEDS A Ø3/4" DRILLED HOLE TO BE SET	H0080



All items are stock unless otherwise noted.

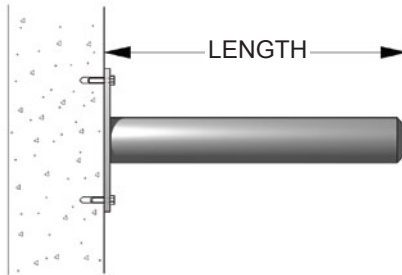
All components are mill finish unless otherwise noted.

HANGERS & SUPPORTS

1 1/2" SCH 10 "STRAIGHT" HANGER FRAME W/ PLATE AND 9/16" MOUNTING HOLES

LENGTH
8"
14"
CUSTOM

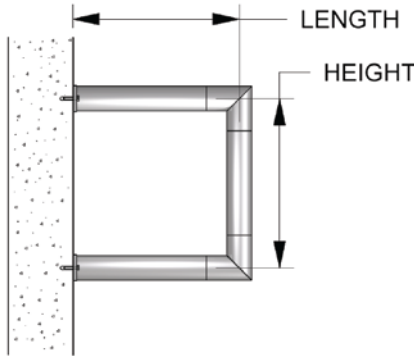
Will ship 3-4 days after order.



1 1/2" SCH 10 "HORSESHOE" HANGER FRAME W/ PLATES AND 9/16" MOUNTING HOLES

LENGTH	HEIGHT
18"	17"
24"	17"
30"	17"
CUSTOM	CUSTOM

Will ship 3-4 days after order.



TUBE AND PIPE SAW BLADE (FITS GEORGE FISHER, OR COMPARABLE, TUBE AND PIPE CUT-OFF MACHINES)

DESCRIPTION	PART #
WALL THICKNESS RANGE 0.040" - 0.125", 64 TEETH	CSI035
WALL THICKNESS RANGE 0.080" - 0.250", 44 TEETH	CSI048
WALL THICKNESS RANGE 0.040" - 0.125", 72 TEETH	CSI072



PIPETITE

TUBE/PIPE SIZE RANGE	PART #
0" - 1"	PT1-000
0" - 2.56"	PT2-000
0" - 3.74"	PT3-000
2.76" - 5.31"	PT4-000
3.94" - 7.09"	PT5-000



2700 Partnership Blvd • Springfield, Missouri 65803
417.831.1411 • 800.654.5635 • fax 417.831.5314
www.csidesigns.com



HANGERS & SUPPORTS
BRINGING INNOVATION TO PROCESS SYSTEMS