



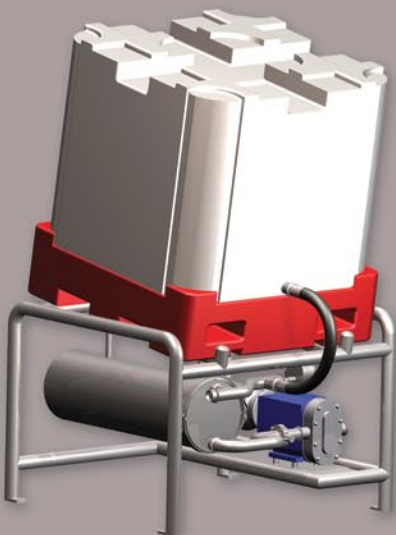
# TOTE BATCHING & UNLOADING SYSTEM

www.csidesigns.com • www.csidesigns.com • www.csidesigns.com

- Safe
- Clean
- Efficient
- Automated
- Expandable



- Lower deck height
- Hygienic design for easy cleaning
- Reduces product loss
- Various pumps available for specific needs
- Automatic level monitoring
- Stainless steel construction
- Allows for fully automated tote handling



800.654.5635

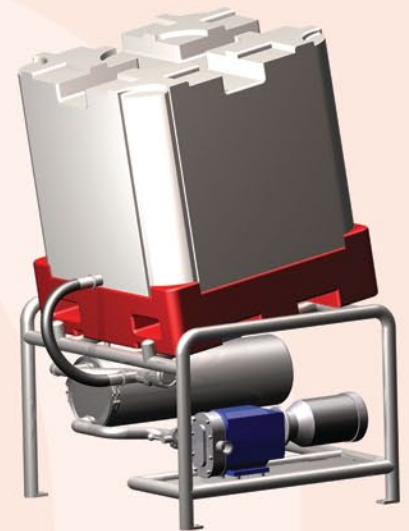


## Tote Batching & Unloading System



### Options

- Fully automated batch control
- Loading, unloading, or both
- Manual, semi-automated, or fully-automated
- Product contact surface material & finish
- Reservoir capacity of 0 - 45 gallons
- Level indication type
- Metering or weighing
- Controls integration
- Pump
- Installation
- Drum unloading
- Mobility



**TOTE BATCHING & UNLOADING SYSTEM**  
**BRINGING INNOVATION TO PROCESS SYSTEMS**